

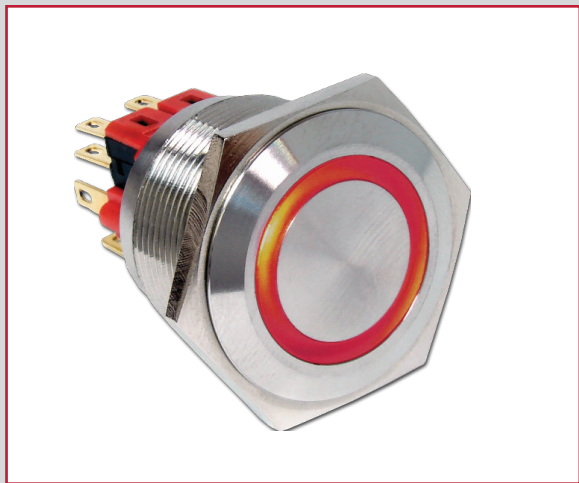


**THE DATASHEET OF  
PV8F2V0SS-331**

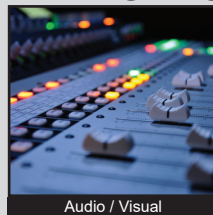


# PV8 SERIES ANTI-VANDAL SWITCH

ANTI-VANDAL SWITCHES  
DETECTOR SWITCHES  
DIP SWITCHES  
KEYLOCK SWITCHES  
NAVIGATION SWITCHES  
PUSHBUTTON SWITCHES  
ROCKER SWITCHES  
ROTARY SWITCHES  
SLIDE SWITCHES  
SNAP ACTION SWITCHES  
TACTILE SWITCHES  
TOGGLE SWITCHES  
CAP OPTIONS



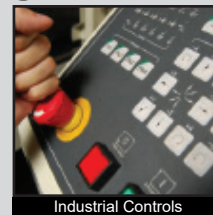
## APPLICATIONS / MARKETS



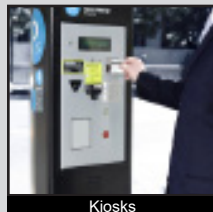
Audio / Visual



Security Devices



Industrial Controls



Kiosks



Electrical Housewares



Medical Equipment

## SPECIFICATIONS

**Electrical Rating:** 2A, 48VDC  
**Electrical Life:** 50,000 Cycles  
**Contact Resistance:** 50mΩ Max.  
**Insulation Resistance:** 1000 MΩ Min. @ 500VDC  
**Dielectric Strength:** 2,000VAC  
**Operating/Storage Temperature:** -35°C to 85°C  
**Travel:** 2.80mm  
**Moisture Protection:** IP65  
**Contact Arrangement:** DPST-NO/NC or 4PST-2NO/2NC  
**Actuation Force:** 6.5 N  
**Panel Thickness:** 1-10mm for Momentary  
 1-12mm for Maintained  
**Mounting Nut Torque:** 5-14Nm

## FEATURES & BENEFITS

- 25mm diameter panel cutout
- LED color options
- Dot, ring or power symbol illumination available
- Multiple function options
- IP65 rated
- DPST-NO/NC or 4PST-2NO/2NC
- Soldered wire leads (300mm long) optional

## PART NUMBER CONFIGURATOR

| Series  | Actuator Options                      | Terminal Options  | Function Options   | Rating Options                                       | Body Finish Options   | Actuator Finish Options   | Lens Style Options  | LED Color Options   | Illumination Voltage Options   | Graphic (Optional)  |
|---|---------------------------------------|---|--|--|---|---|---|---|--|---|
| <input type="text" value="PV8"/>  | <input type="text" value="F - Flat"/> | <input type="text" value="2 - Solder&lt;br/&gt;W - Wire Leads&lt;br/&gt;300mm long"/> | <input type="text" value="Y -&lt;br/&gt;1P Off-(On) +&lt;br/&gt;1P On-(Off)&lt;br/&gt;T -&lt;br/&gt;1P Off-On +&lt;br/&gt;1P On-Off&lt;br/&gt;V -&lt;br/&gt;2P Off-(On) +&lt;br/&gt;2P On-(Off)&lt;br/&gt;U -&lt;br/&gt;2P Off-On +&lt;br/&gt;2P On-Off"/> | <input type="text" value="0 - 2A,&lt;br/&gt;48VDC"/> | <input type="text" value="S - Stainless&lt;br/&gt;Steel&lt;br/&gt;1 - Black&lt;br/&gt;Anodized"/> | <input type="text" value="S - Stainless&lt;br/&gt;Steel&lt;br/&gt;1 - Black&lt;br/&gt;Anodized"/> | <input type="text" value="NONE - Non-&lt;br/&gt;Illuminated&lt;br/&gt;2 - Dot&lt;br/&gt;Illumination&lt;br/&gt;3 - Ring&lt;br/&gt;Illumination"/> | <input type="text" value="NONE - Non-&lt;br/&gt;Illuminated&lt;br/&gt;0 - White&lt;br/&gt;1 - Red&lt;br/&gt;2 - Orange&lt;br/&gt;3 - Green&lt;br/&gt;4 - Blue&lt;br/&gt;5 - Yellow&lt;br/&gt;F - Red/Orange&lt;br/&gt;G - Red/Green&lt;br/&gt;H - Red/Blue&lt;br/&gt;J - Red/Yellow&lt;br/&gt;K - Orange/Green&lt;br/&gt;L - Orange/Blue&lt;br/&gt;M - Orange/Yellow&lt;br/&gt;N - Green/Blue&lt;br/&gt;P - Green/Yellow&lt;br/&gt;R - RGB"/> | <input type="text" value="NONE - Non-&lt;br/&gt;Illuminated&lt;br/&gt;1 - Base Voltage&lt;sup&gt;†&lt;/sup&gt;&lt;br/&gt;3 - 6V&lt;br/&gt;4 - 12V&lt;br/&gt;5 - 24V&lt;br/&gt;6 - 125V&lt;br/&gt;7 - 250V"/> | <input type="text" value="M11 - Power&lt;br/&gt;symbol laser&lt;br/&gt;etched&lt;br/&gt;M14 - Power&lt;br/&gt;symbol illum.&lt;br/&gt;(with Ring&lt;br/&gt;illumination)"/> |
| <p><b>NOTES:</b><br/>                     ( ) denotes function is momentary<br/> <sup>†</sup>Base voltage for LED colors red, yellow, and orange is 1.8V @ 20mA<br/> <sup>‡</sup>Base voltage for LED colors blue, green and white is 2.8V @ 20mA</p> |                                       |   |  |  |   |   |   |   |  |   |

Specifications subject to change without notice 8.25.2025



**E-SWITCH®**

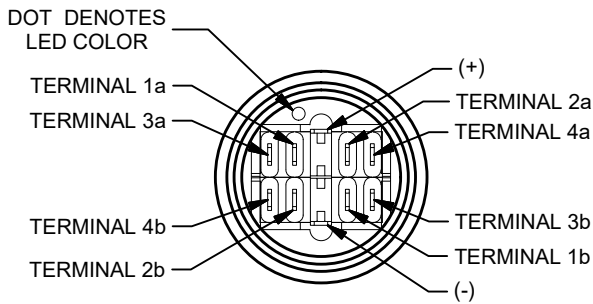
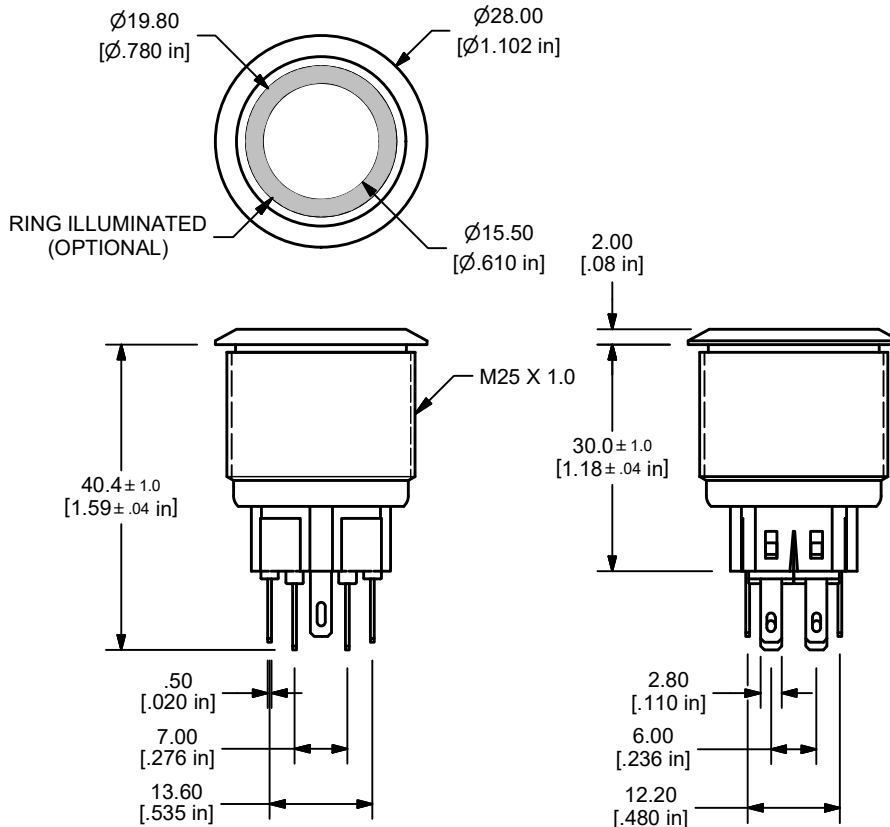
www.e-switch.com

800.867.2717

1

# PV8 SERIES ANTI-VANDAL SWITCH

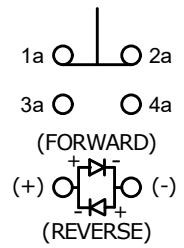
## STANDARD LED FUNCTIONS T & U



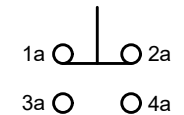
SPDT - FUNCTION T  
TERMINALS 1a - 4a

DPDT - FUNCTION U  
TERMINALS 1a - 4a AND  
1b - 4b (AS SHOWN)

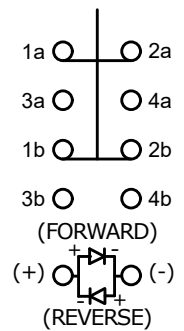
TERMINALS (-) AND (+)  
USED WITH ILLUMINATED  
OPTION ONLY



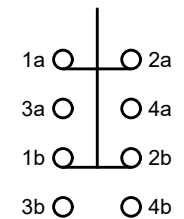
**SPDT LED SCHEMATIC**



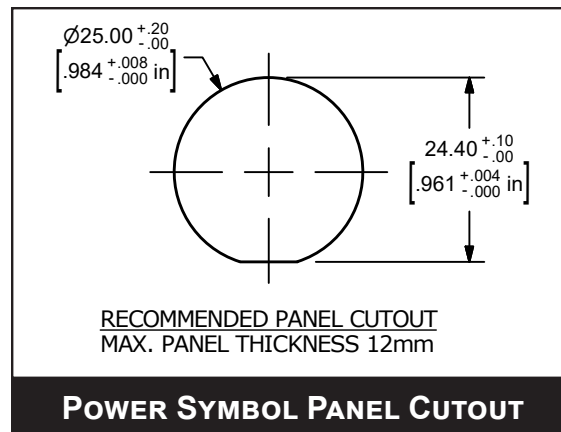
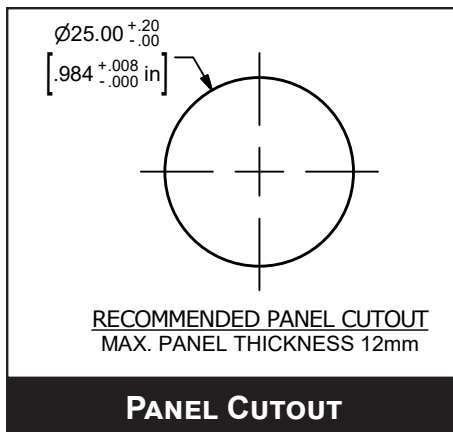
**SPDT Non ILL SCHEMATIC**



**DPDT LED SCHEMATIC**



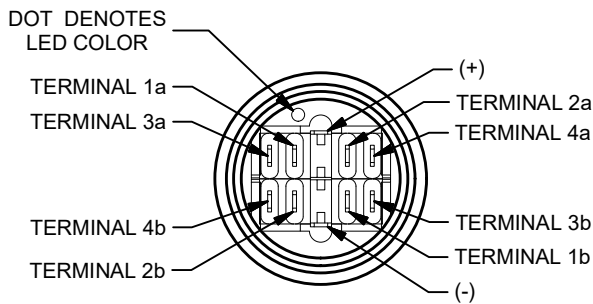
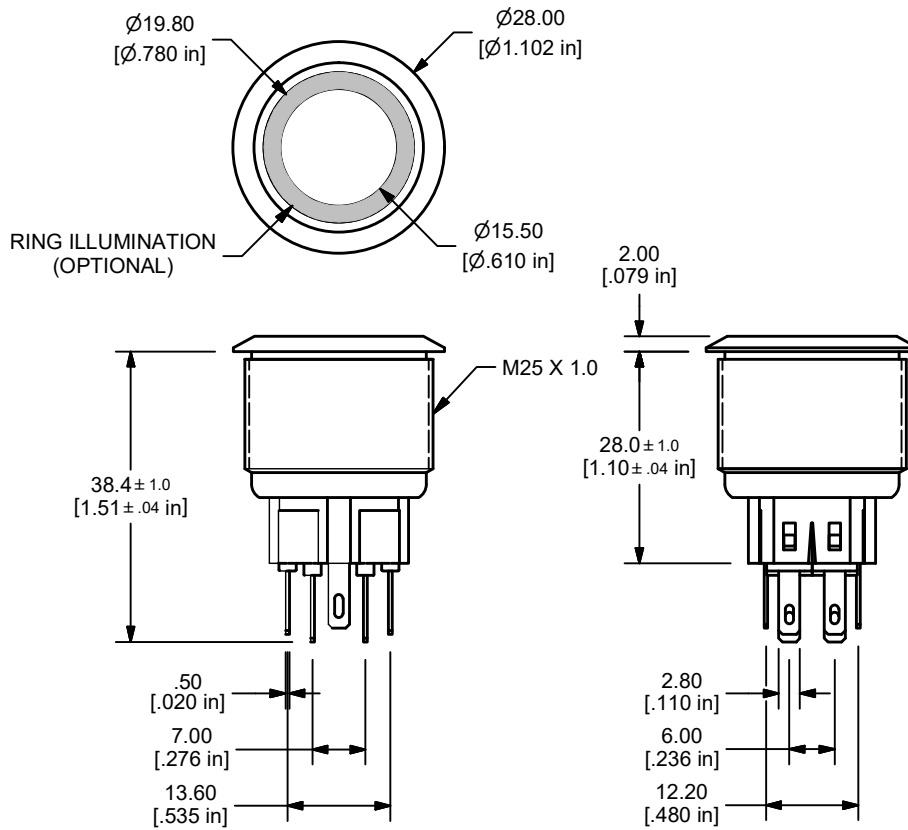
**DPDT Non ILL SCHEMATIC**



ANTI-VANDAL SWITCHES  
DETECTOR SWITCHES  
DIP SWITCHES  
KEYLOCK SWITCHES  
NAVIGATION SWITCHES  
PUSHBUTTON SWITCHES  
ROCKER SWITCHES  
ROTARY SWITCHES  
SLIDE SWITCHES  
SNAP ACTION SWITCHES  
TACTILE SWITCHES  
TOGGLE SWITCHES  
CAP OPTIONS

# PV8 SERIES ANTI-VANDAL SWITCH

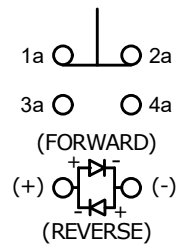
## STANDARD LED FUNCTIONS Y & V



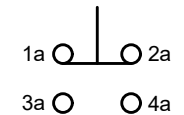
SPDT - FUNCTION Y  
TERMINALS 1a - 4a

DPDT - FUNCTION V  
TERMINALS 1a - 4a AND  
1b - 4b (AS SHOWN)

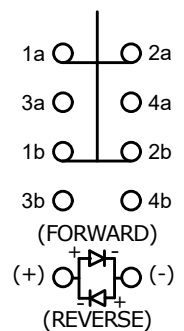
TERMINALS (-) AND (+)  
USED WITH ILLUMINATED  
OPTION ONLY



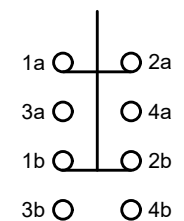
**SPDT LED SCHEMATIC**



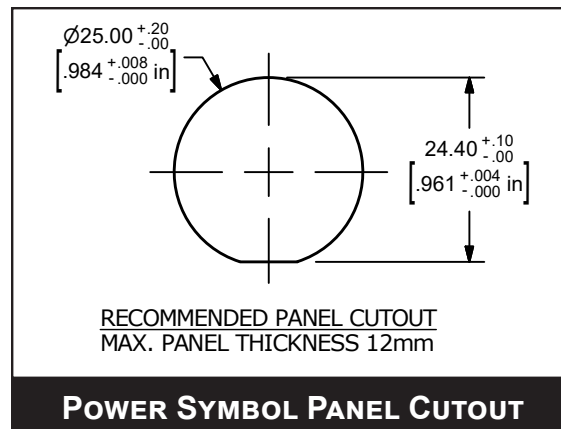
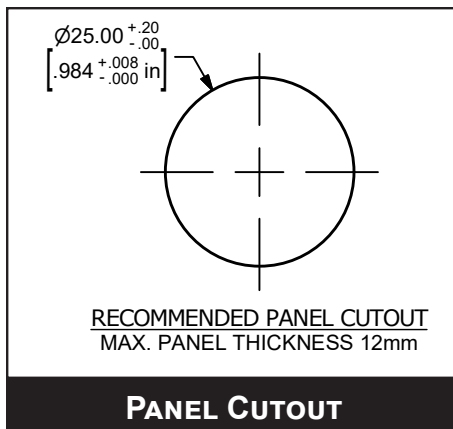
**SPDT Non ILL SCHEMATIC**



**DPDT LED SCHEMATIC**

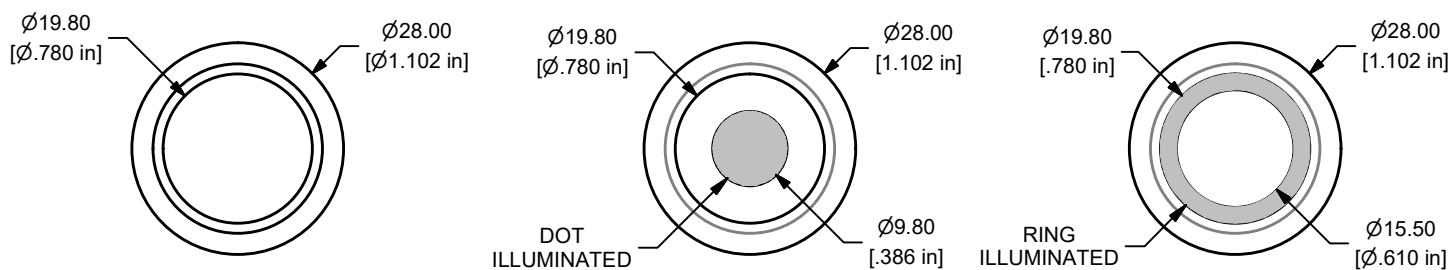


**DPDT Non ILL SCHEMATIC**



# PV8 SERIES ANTI-VANDAL SWITCH

## LENS STYLE OPTIONS

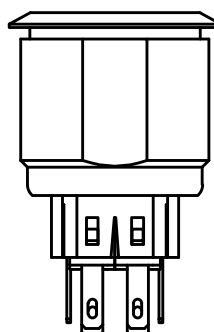
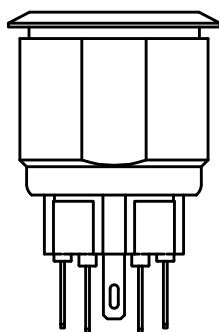
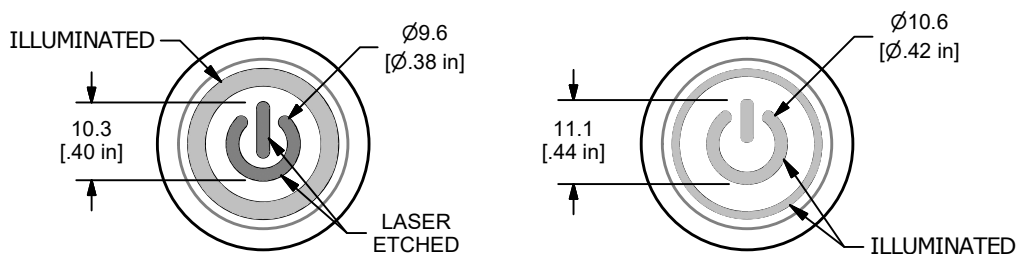


**NON-ILLUMINATED**

**DOT ILLUMINATION**

**RING ILLUMINATION**

## GRAPHIC OPTIONS



**M11  
POWER SYMBOL  
LASER ETCHED**

**M14  
POWER SYMBOL ILLUMINATION  
(WITH RING ILLUMINATION)**

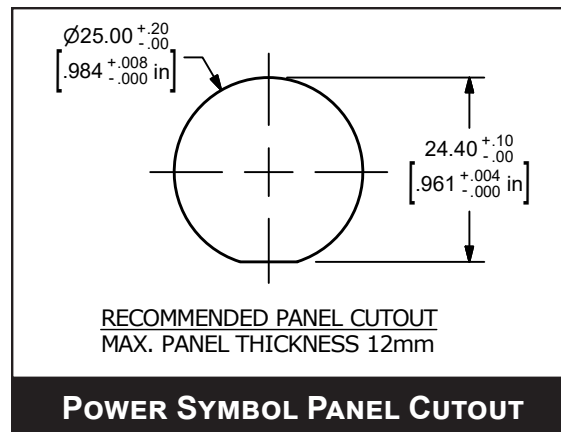
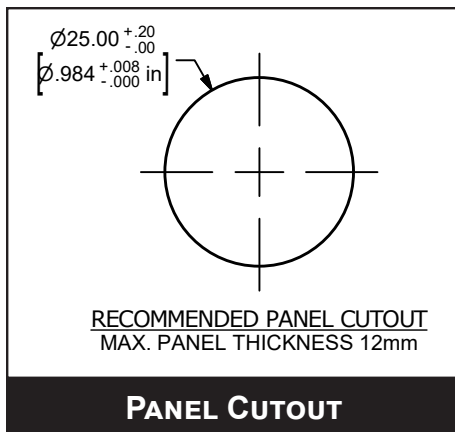
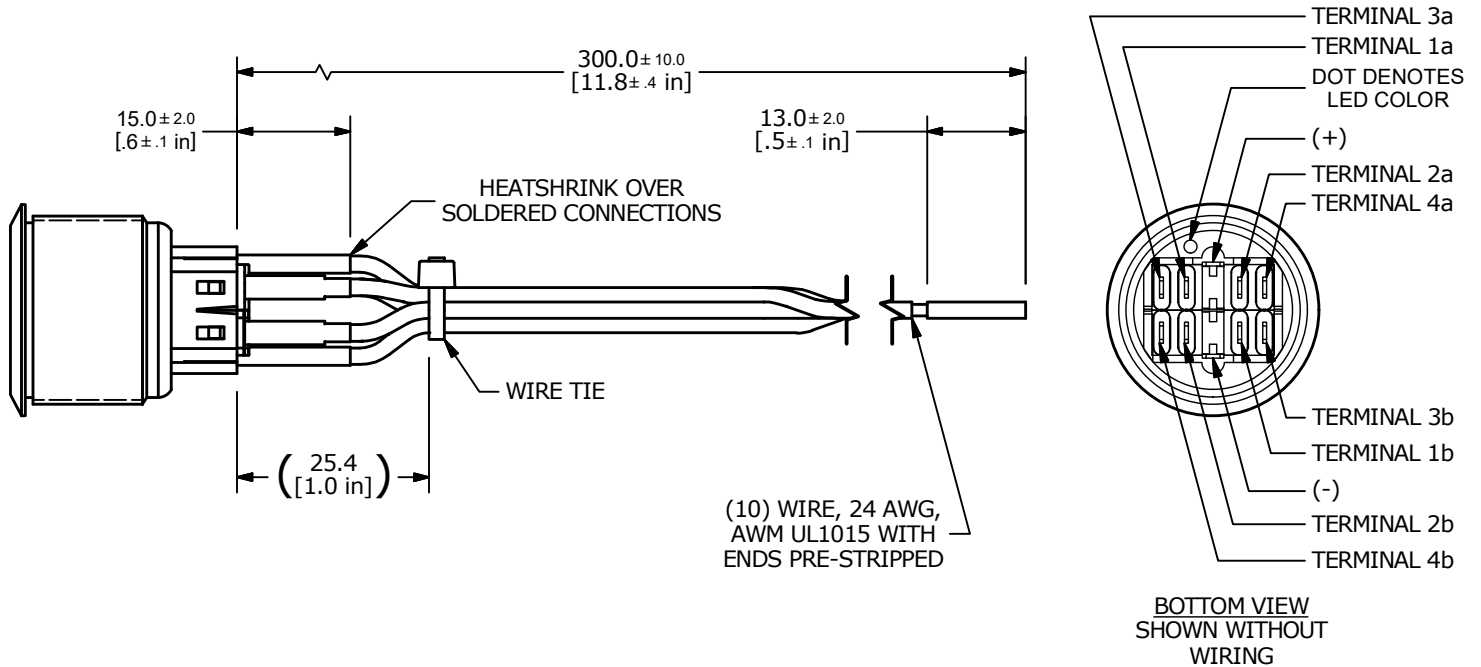


# PV8 SERIES ANTI-VANDAL SWITCH

## STANDARD LED WIRE LEAD

| SWITCH   | WIRE                          | LENGTH          |
|----------|-------------------------------|-----------------|
| SW1-1a   | WIRE, 24AWG AWM UL1015, WHITE | 300.0 [11.8 in] |
| SW1-2a   | WIRE, 24AWG AWM UL1015, WHITE | 300.0 [11.8 in] |
| SW1-3a   | WIRE, 24AWG AWM UL1015, BLUE  | 300.0 [11.8 in] |
| SW1-4a   | WIRE, 24AWG AWM UL1015, BLUE  | 300.0 [11.8 in] |
| SW1-1b   | WIRE, 24AWG AWM UL1015, WHITE | 300.0 [11.8 in] |
| SW1-2b   | WIRE, 24AWG AWM UL1015, WHITE | 300.0 [11.8 in] |
| SW1-3b   | WIRE, 24AWG AWM UL1015, BLUE  | 300.0 [11.8 in] |
| SW1-4b   | WIRE, 24AWG AWM UL1015, BLUE  | 300.0 [11.8 in] |
| SW1- (+) | WIRE, 24AWG AWM UL1015, RED   | 300.0 [11.8 in] |
| SW1- (-) | WIRE, 24AWG AWM UL1015, BLACK | 300.0 [11.8 in] |

\*\* WIRE LEADS PROVIDED ARE DEPENDANT ON THE FUNCTION AND/OR ILLUMINATION SELECTED \*\*



## Looking for pricing, stock, or lifecycle information?

Click below to explore more details on WIN SOURCE:

 [View PV8F2V0SS-331 on WIN SOURCE](#)

 [E-SWITCH](#) Information

## Optimize Your Supply Chain with WIN SOURCE Solutions

-  Global Sourcing Solution
-  Obsolete Management
-  Cost Control Management
-  Shortage Management
-  Alternative Solution
-  Excess Inventory Management