



**THE DATASHEET OF
LSEM-150-01-L-DH-A-N-K-TR**



DO NOT SCALE FROM THIS PRINT

DESIGNED & DIMENSIONED IN MILLIMETERS [INCHES]

LSEM-1XX-XX-X-DH-A-X-X-XR

NO OF POSITIONS
-20, -30, -40, -50

LEAD STYLE
-01:

PLATING SPECIFICATION

- F: 3µ" FLASH SELECTIVE GOLD ON CONTACT AREA, MATTE TIN ON TAIL
- L: 10µ" LIGHT SELECTIVE GOLD ON CONTACT AREA, MATTE TIN ON TAIL
- S: 30µ" SELECTIVE GOLD ON CONTACT AREA, MATTE TIN ON TAIL
- H: 30µ" HEAVY SELECTIVE GOLD ON CONTACT AREA, 3µ" FLASH GOLD ON TAIL

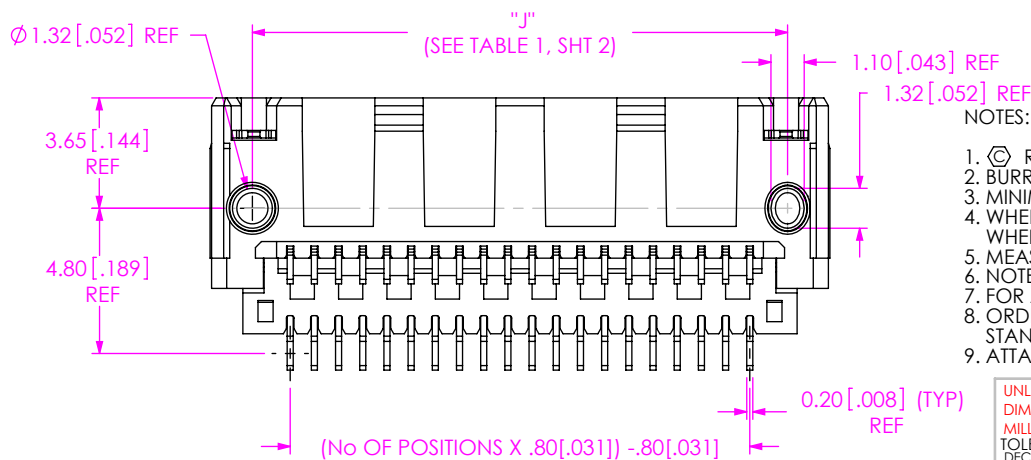
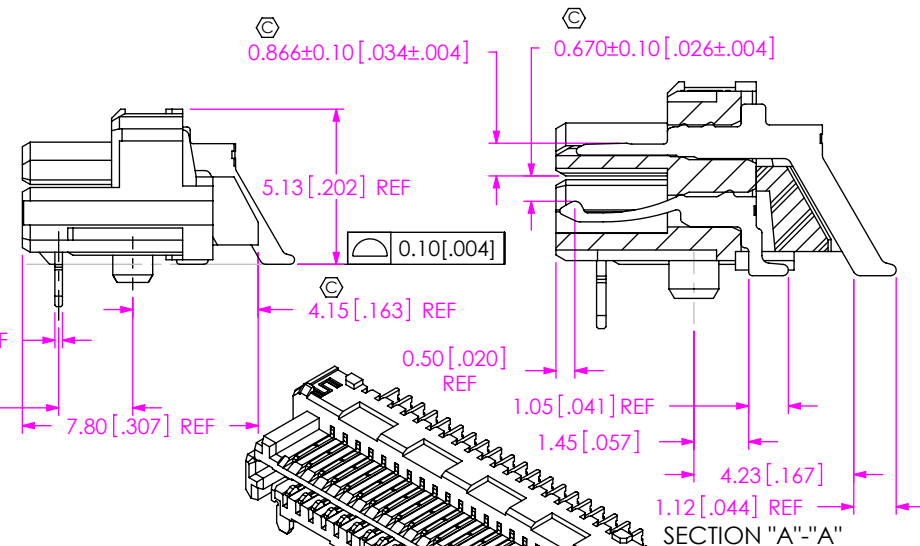
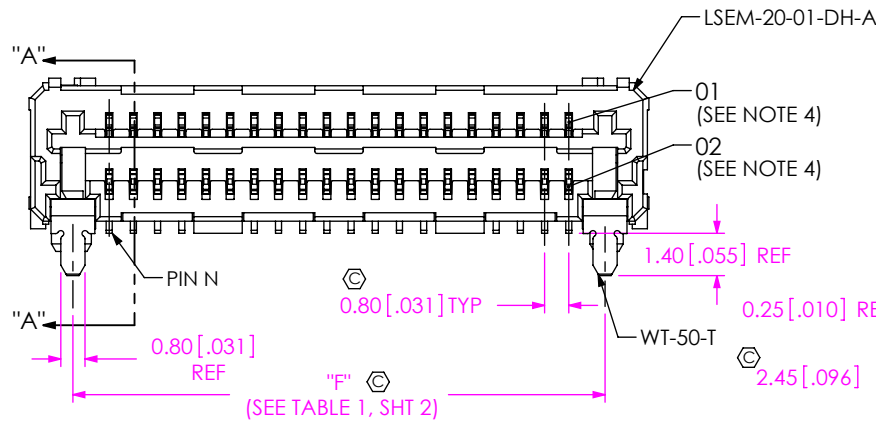
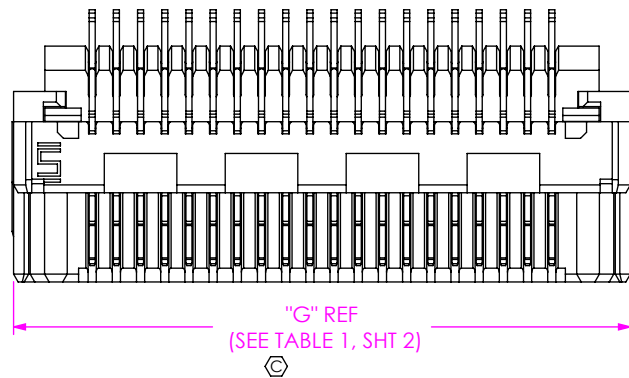
TAPE & REEL (SEE NOTES 8 & 9)
-TR: TAPE & REEL
-FR: FULL REEL QTY TAPE & REEL

PICK & PLACE OPTION
-K: POLYIMIDE FILM (SEE FIG 3, SHT 2)
(USE K-DOT-.217-.313-.005)

SHIELD
*-S: WITH SHIELD (SEE FIG 2, SHT 2)
-N: NO SHIELD

OPTION
-A: ALIGNMENT PIN

TAIL OPTION
-DH: DUAL HORIZONTAL
*= NOT RELEASED FOR PRODUCTION



NOTES:

1. Ⓢ REPRESENTS A CRITICAL DIMENSION.
2. BURR ALLOWANCE: .038 [.0015].
3. MINIMUM PUSHOUT FORCE: 2.22 N [.5 LBS].
4. WHEN MATING WITH ANOTHER LSEM-DH, 01 WILL MATE WITH CONTACT 02 ON MATING CONNECTOR WHEN MATING WITH A LSEM-DV, PIN 01 WILL MATE WITH PIN N, WHERE N = TOTAL NUMBER OF POSITIONS.
5. MEASURE FROM TOP OF VERTICAL WALL.
6. NOTE DELETED.
7. FOR APPLICATIONS REQUIRING TWO OR MORE CONNECTORS PER BOARD, CONTACT IPG@SAMTEC.COM.
8. ORDERS WILL BE PACKAGED ACCORDING TO THE SAMTEC PACKAGING EFFICIENCY STANDARDS (SPES) FOUND ON WWW.SAMTEC.COM.
9. ATTACH LABEL TO EACH REEL.

UNLESS OTHERWISE SPECIFIED, DIMENSIONS ARE IN MILLIMETERS [INCHES]. TOLERANCES ARE: DECIMALS ANGLES 2°
X.X: ±0.3 [.01]
X.XX: ±0.13 [.005]
X.XXX: ±0.051 [.0020]

PROPRIETARY NOTE
THIS DOCUMENT CONTAINS CONFIDENTIAL AND PROPRIETARY INFORMATION AND ALL DESIGN, MANUFACTURING, REPRODUCTION, USE, PATENT RIGHTS AND SALES RIGHTS ARE EXPRESSLY RESERVED BY SAMTEC, INC. THIS DOCUMENT SHALL NOT BE DISCLOSED, IN WHOLE OR PART, TO ANY UNAUTHORIZED PERSON OR ENTITY NOR REPRODUCED, TRANSFERRED OR INCORPORATED IN ANY OTHER PRODUCT IN ANY MANNER WITHOUT THE EXPRESS WRITTEN CONSENT OF SAMTEC, INC.



520 PARK EAST BLVD, NEW ALBANY, IN 47150
PHONE: 812-944-6733 FAX: 812-948-5047
PHONE: 812-944-6733 FAX: 812-948-5047

MATERIAL: DO NOT SCALE DRAWING
INSULATOR: BLACK, LCP, UL 94 VO
CONTACT: PHOS BRONZE
SHIELD: STAINLESS STEEL
WELD TAB: COPPER

SHEET SCALE: 1:0.2

DESCRIPTION:
0.8mm HERMAPHRODITIC HORIZONTAL FOR LSEM -DH

DWG. NO.
LSEM-1XX-XX-X-DH-A-X-X-XR

BY: CHADP 04/08/2009 SHEET 1 OF 3

FIG 1
(LSEM-120-XX-X-DH-A-N-XR SHOWN)

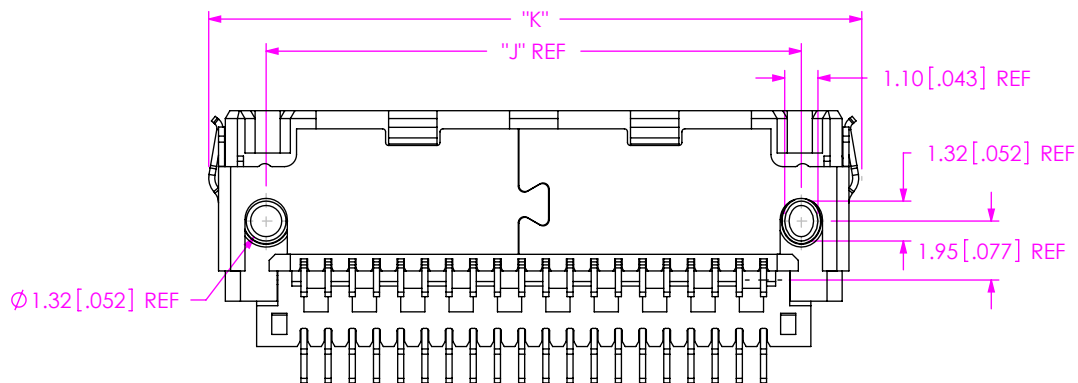
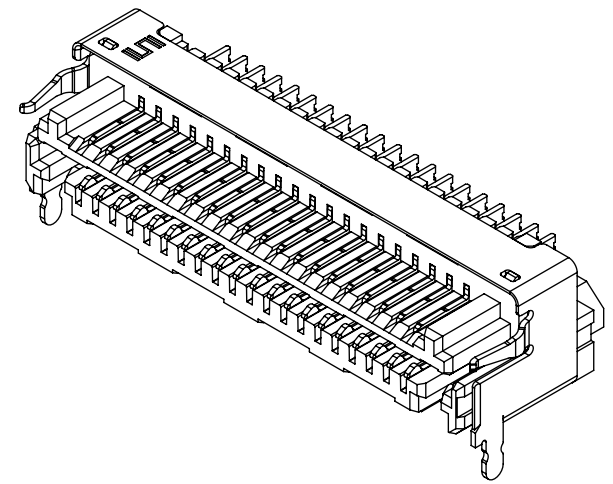
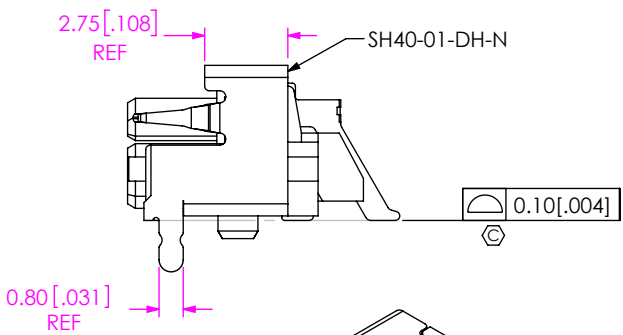
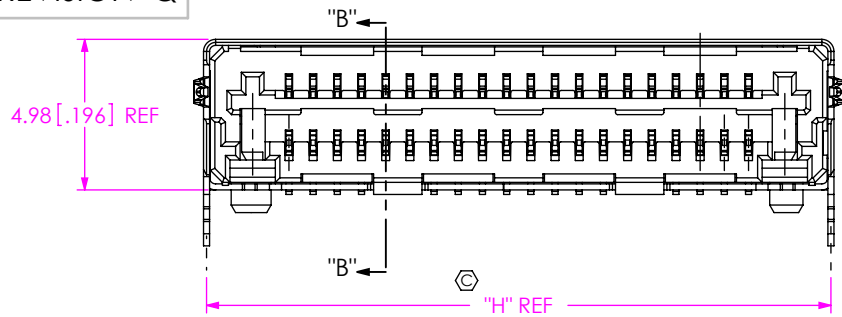


FIG 2
SHIELD OPTION
LSEM-120-01-XX-DH-A-S-X SHOWN
(SAME AS FIG1 DIFFERENT AS SHOWN)

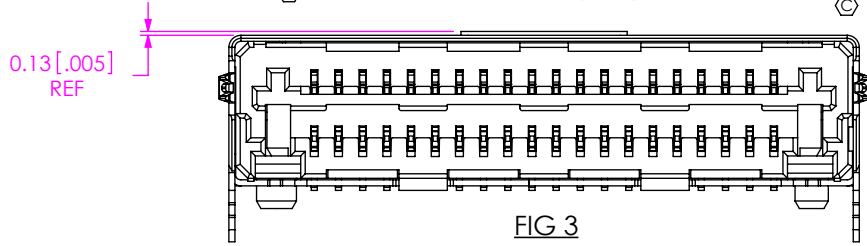
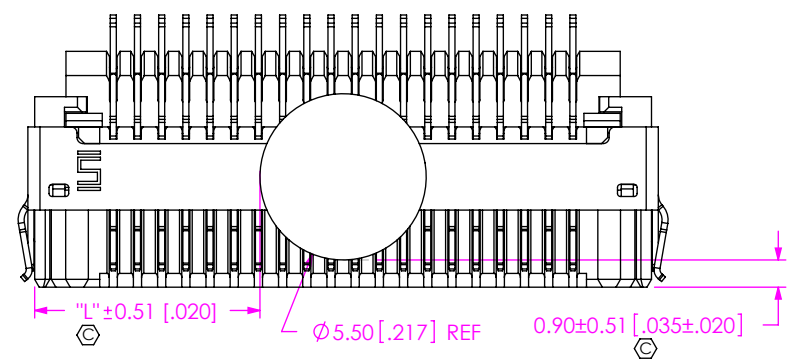


FIG 3
-K KAPTON OPTION
LSEM-120-01-XX-DH-A-S-K SHOWN
(SAME AS FIG1 DIFFERENT AS SHOWN)

TABLE 1

No OF POSITIONS	"F"	"G"	"H"	"J"	"K"	"L"
-20	17.60 [0.693]	20.40 [0.803]	20.85 [0.821]	17.70 [0.697]	21.70 [0.854]	7.45 [0.293]
-30	25.60 [1.008]	28.40 [1.118]	28.85 [1.136]	25.70 [1.012]	29.70 [1.169]	11.45 [0.451]
-40	33.60 [1.323]	36.40 [1.433]	36.85 [1.451]	33.70 [1.327]	37.70 [1.484]	15.45 [0.608]
-50	41.60 [1.638]	44.40 [1.748]	44.85 [1.766]	41.70 [1.642]	45.70 [1.799]	19.45 [0.766]

PROPRIETARY NOTE
THIS DOCUMENT CONTAINS CONFIDENTIAL AND PROPRIETARY INFORMATION AND ALL DESIGN, MANUFACTURING, REPRODUCTION, USE, PATENT RIGHTS AND SALES RIGHTS ARE EXPRESSLY RESERVED BY SAMTEC, INC. THIS DOCUMENT SHALL NOT BE DISCLOSED, IN WHOLE OR PART, TO ANY UNAUTHORIZED PERSON OR ENTITY NOR REPRODUCED, TRANSFERRED OR INCORPORATED IN ANY OTHER PROJECT IN ANY MANNER WITHOUT THE EXPRESS WRITTEN CONSENT OF SAMTEC, INC.

DO NOT SCALE DRAWING
SHEET SCALE: 1:0.2



520 PARK EAST BLVD, NEW ALBANY, IN 47150
PHONE: 812-944-6733 FAX: 812-948-5047
PHONE: 812-944-6733 FAX: 812-948-5047

DESCRIPTION:
0.8mm HERMAPHRODITIC HORIZONTAL FOR LSEM -DH

DWG. NO.
LSEM-1XX-XX-X-DH-A-X-X-XR

BY: CHADP 04/08/2009 SHEET 2 OF 3

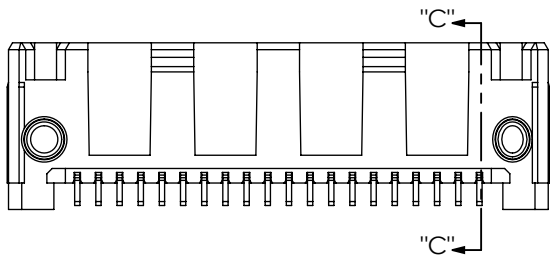
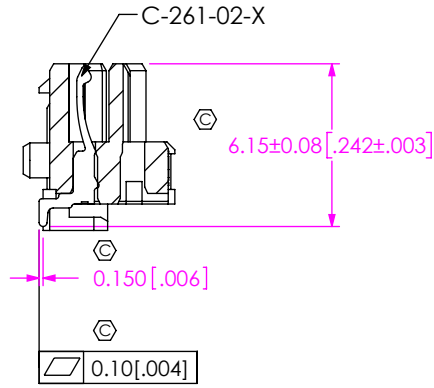
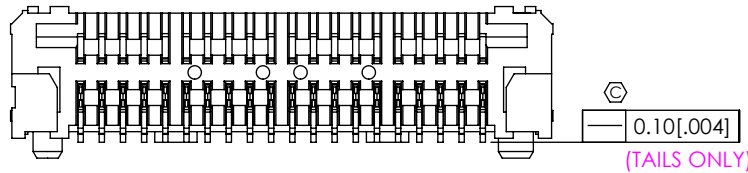


FIG 4
(IN PROCESS 1)



SECTION "C"-"C"
SCALE 3.5 : 1



BACK VIEW

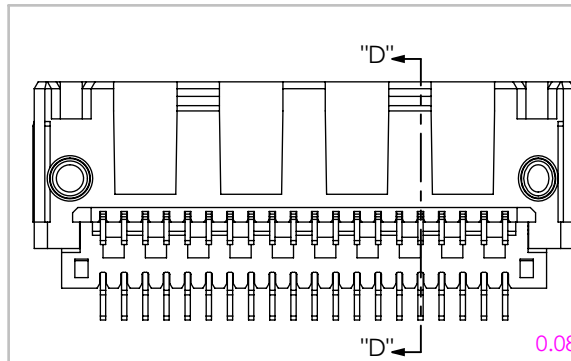
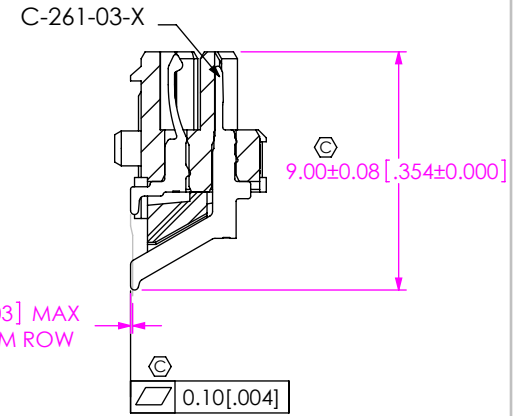
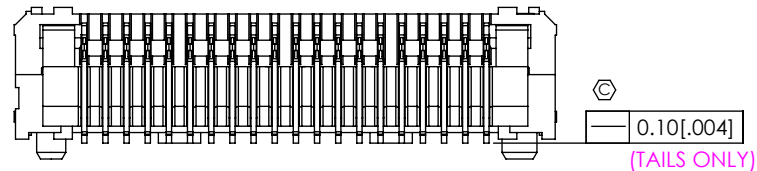


FIG 6
(IN PROCESS 3)



SECTION "D"-"D"
SCALE 3.5 : 1



BACK VIEW

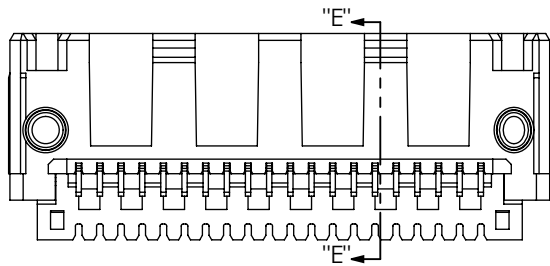
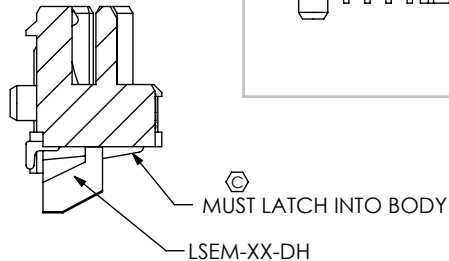


FIG 5
(IN PROCESS 2)



SECTION "E"-"E"
SCALE 3.5 : 1

PROPRIETARY NOTE
THIS DOCUMENT CONTAINS CONFIDENTIAL AND PROPRIETARY INFORMATION AND ALL DESIGN, MANUFACTURING, REPRODUCTION, USE, PATENT RIGHTS AND SALES RIGHTS ARE EXPRESSLY RESERVED BY SAMTEC, INC. THIS DOCUMENT SHALL NOT BE DISCLOSED, IN WHOLE OR PART, TO ANY UNAUTHORIZED PERSON OR ENTITY NOR REPRODUCED, TRANSFERRED OR INCORPORATED IN ANY OTHER PROJECT IN ANY MANNER WITHOUT THE EXPRESS WRITTEN CONSENT OF SAMTEC, INC.

DO NOT SCALE DRAWING
SHEET SCALE: 5:1



520 PARK EAST BLVD., NEW ALBANY, IN 47150
PHONE: 812-944-6733 FAX: 812-948-5047
PHONE: 812-944-6733 FAX: 812-948-5047



DESCRIPTION:
0.8mm HERMAPHRODITIC HORIZONTAL FOR LSEM -DH

DWG. NO.
LSEM-1XX-XX-X-DH-A-X-X-XR

BY: CHADP 04/08/2009 SHEET 3 OF 3

Looking for pricing, stock, or lifecycle information?

Click below to explore more details on WIN SOURCE:

-  [View LSEM-150-01-L-DH-A-N-K-TR on WIN SOURCE](#)
-  [Samtec Inc. Information](#)

Optimize Your Supply Chain with WIN SOURCE Solutions

-  Global Sourcing Solution
-  Obsolete Management
-  Cost Control Management
-  Shortage Management
-  Alternative Solution
-  Excess Inventory Management