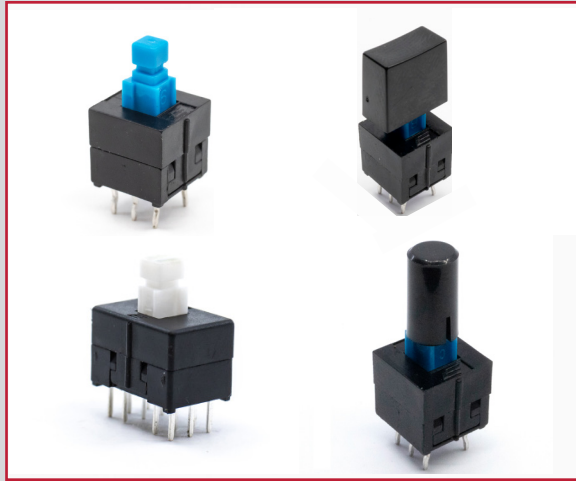


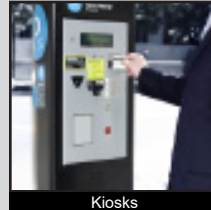
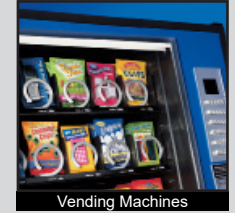


# TL2201, TL2202, TL4201 SERIES PUSHBUTTON SWITCH

ANTI-VANDAL SWITCHES  
DETECTOR SWITCHES  
DIP SWITCHES  
KEYLOCK SWITCHES  
NAVIGATION SWITCHES  
PUSHBUTTON SWITCHES  
ROCKER SWITCHES  
ROTARY SWITCHES  
SLIDE SWITCHES  
SNAP ACTION SWITCHES  
TACTILE SWITCHES  
TOGGLE SWITCHES  
CAP OPTIONS



## APPLICATIONS / MARKETS



**RoHS**

## SPECIFICATIONS

**Electrical Rating:** 100mA, 30VDC  
**Electrical Life:** 10,000 Cycles  
**Contact Resistance:** 100mΩ Max. Initial  
**Insulation Resistance:** 100MΩ Min.  
**Dielectric Strength:** 500VAC  
**Operating Temperature:** -20°C to 70°C  
**Function:** Latching or momentary  
**Travel:** 2.5mm Full; 1.5mm to Lock Position  
**Circuit, Timing, Actuation Force:**  
**TL2201:** DPDT, Non-Shorting (BBM), 220 ±50gf  
**TL2202:** DPDT, Shorting (MBB), 220 ±50gf  
**TL4201:** 4PDT, Non-Shorting (BBM), 300 ±70gf

## FEATURES & BENEFITS

- Through hole mounting design
- PC Pin termination
- Latching or momentary function
- Plunger actuator; long travel
- Many cap options

## PART NUMBER CONFIGURATOR

### Series



TL2201 - DPDT; Non-Shorting (BBM)  
 TL2202 - DPDT; Shorting (MBB)  
 TL4201 - 4PDT; Non-Shorting (BBM)

### Mechanical Config.



EE - Latching  
 OA - Momentary

### Actuator



X - 2.0mm x 3.0mm  
 Y - 3.3mm square  
 Z - 2.8mm square

### Termination



A - Straight  
 B - Retention

### Cap Option



None  
 1C - Z actuator only  
 1D - Z actuator only  
 1R - Z actuator only  
 1S - Z actuator only  
 .08 - Y actuator only  
 .09 - Y actuator only  
 .094 - Y actuator only  
 4J - Y actuator only  
 5J - Y actuator only  
 6J - Y actuator only  
 8J - Y actuator only  
 TA12 - Y actuator only  
 TAC - Y actuator only  
 TAD - Y actuator only  
 TAG - Y actuator only  
 TAM - Y actuator only  
 1CF - X actuator only  
 1DF - X actuator only

### Cap Color



None  
 BLK - Black  
 GRY - Grey  
 DGR - Dark Grey  
 LGR - Light Grey  
 WHT - White  
 BLU - Blue  
 RED - Red  
 YEL - Yellow  
 GRN - Green

Specifications subject to change without notice 1.1.2026



**E-SWITCH®**

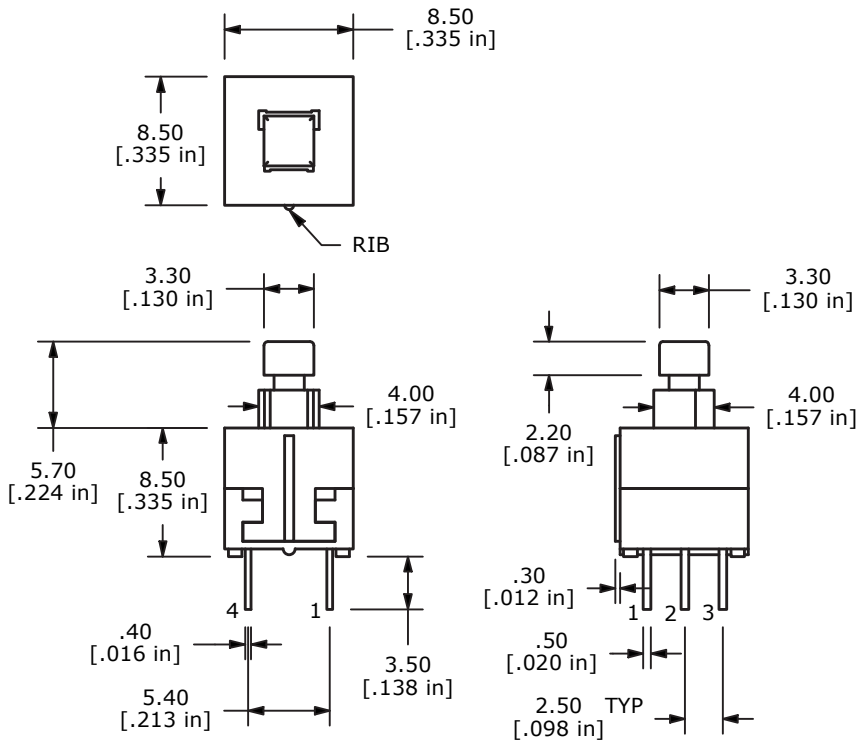
www.e-switch.com

800.867.2717

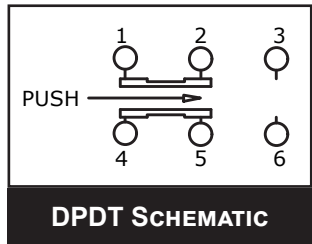
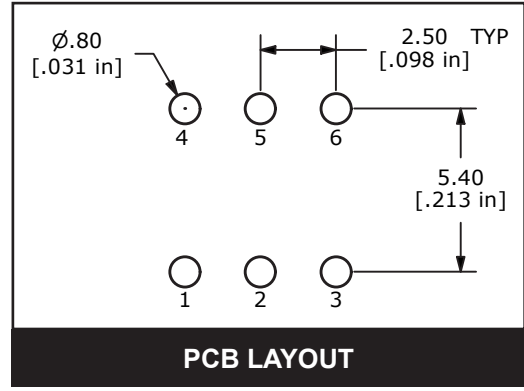
1

# TL2201, TL2202, TL4201 SERIES PUSHBUTTON SWITCH

## BODY DIMENSIONS TL2201 & TL2202

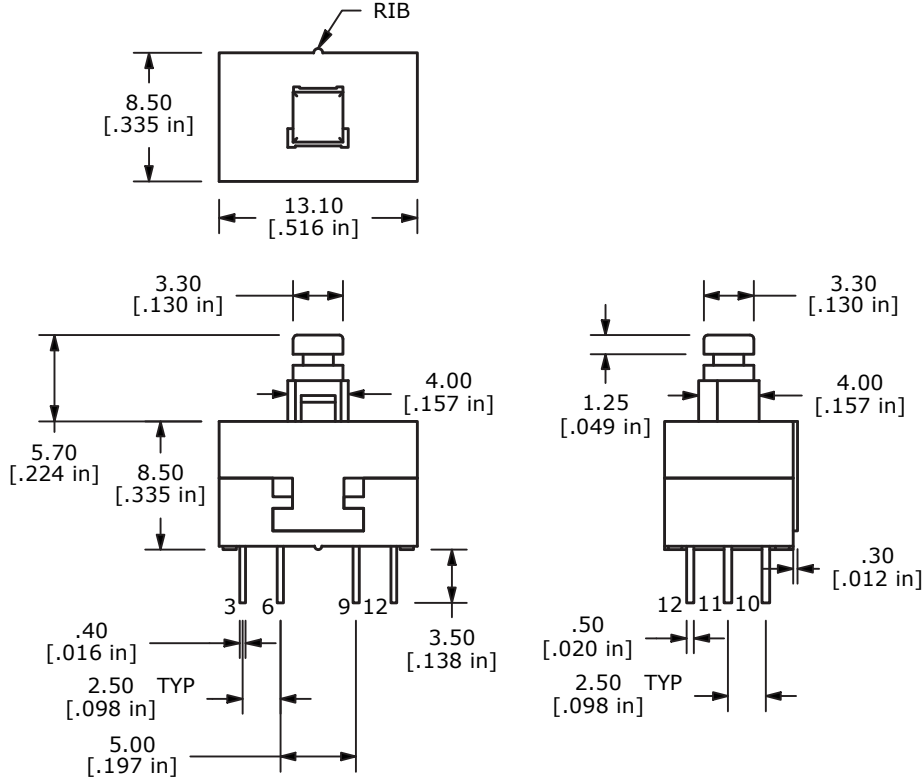


\*SHOWN WITH Y ACTUATOR AND A TERMINATION

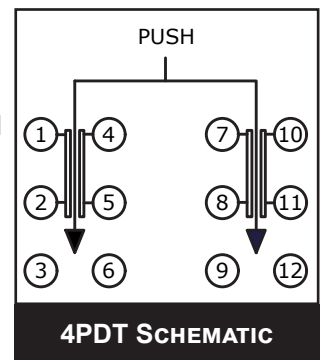
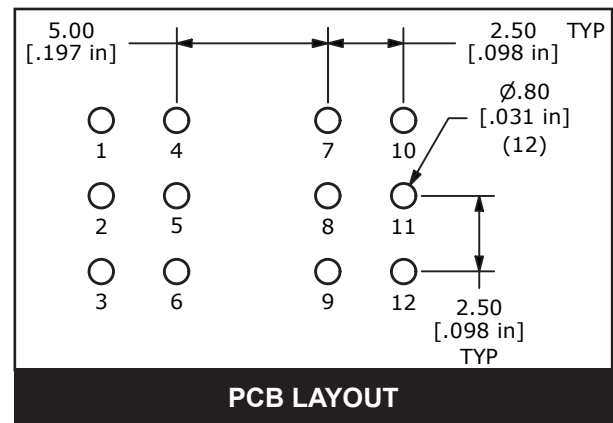


SWITCH FUNCTION	
POS. 1	POS. 2
ON	ON
2-1, 5-4	2-3, 5-6

## BODY DIMENSIONS TL4201



\*SHOWN WITH Y ACTUATOR AND A TERMINATION



SWITCH FUNCTION	
POS. 1	POS. 2
ON	ON
1-2,4-5 7-8,10-11	2-3,5-6 8-9,11-12



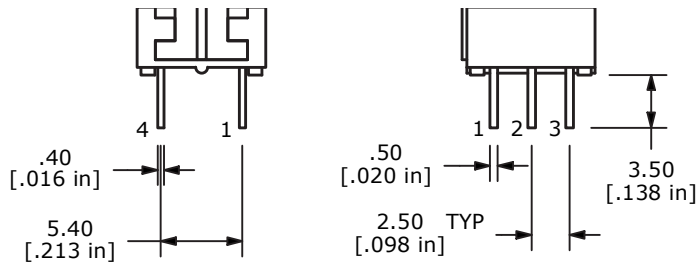
ANTI-VANDAL SWITCHES  
DETECTOR SWITCHES  
DIP SWITCHES  
KEYLOCK SWITCHES  
NAVIGATION SWITCHES  
PUSHBUTTON SWITCHES  
ROCKER SWITCHES  
ROTARY SWITCHES  
SLIDE SWITCHES  
SNAP ACTION SWITCHES  
TACTILE SWITCHES  
TOGGLE SWITCHES  
CAP OPTIONS

# TL2201, TL2202, TL4201 SERIES PUSHBUTTON SWITCH

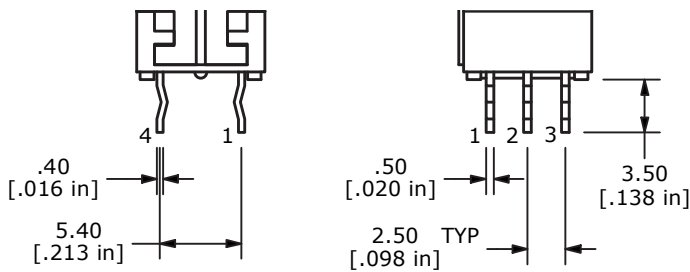
## TL2201 & TL2202

## TL4201

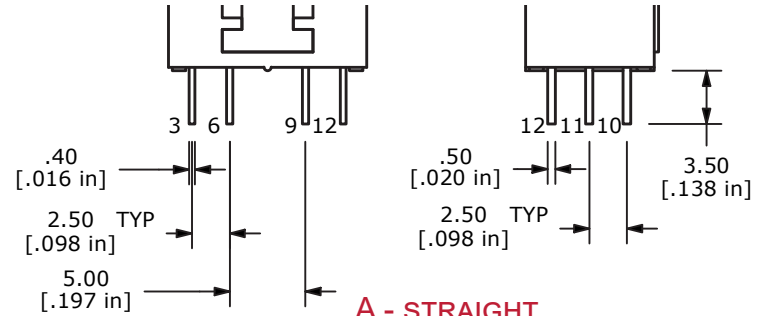
### TERMINATION OPTIONS



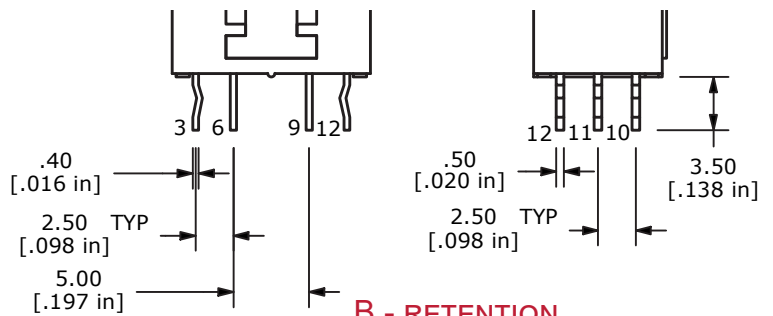
**A - STRAIGHT**



**B - RETENTION**

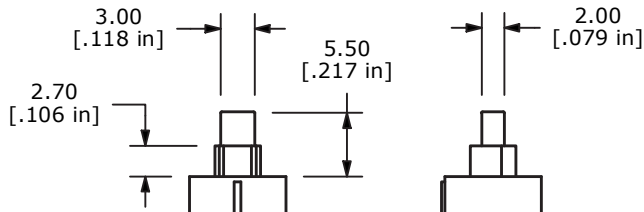


**A - STRAIGHT**

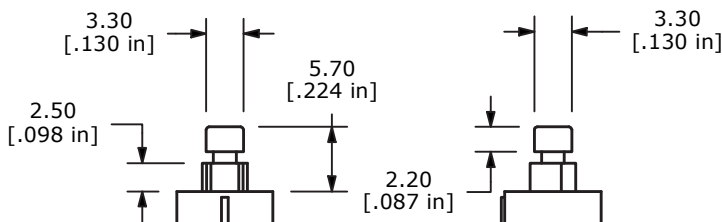


**B - RETENTION**

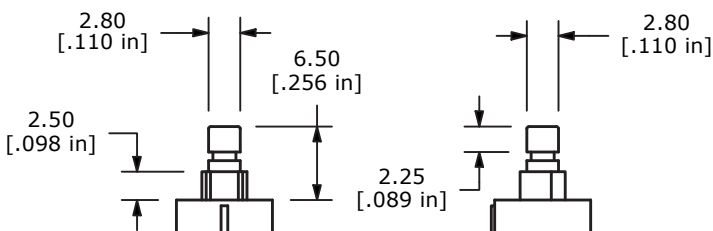
### ACTUATOR OPTIONS



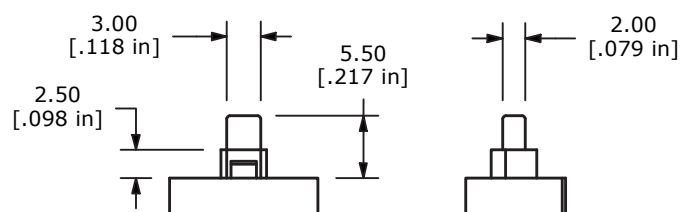
**X - 2.0MM x 3.0MM**



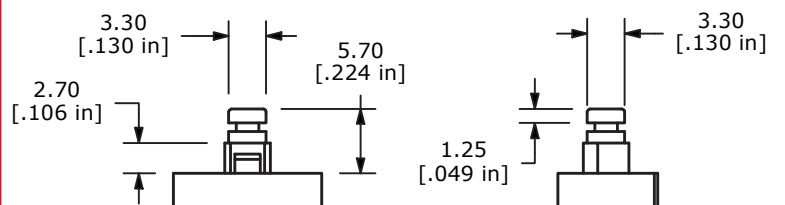
**Y - 3.3MM SQUARE**



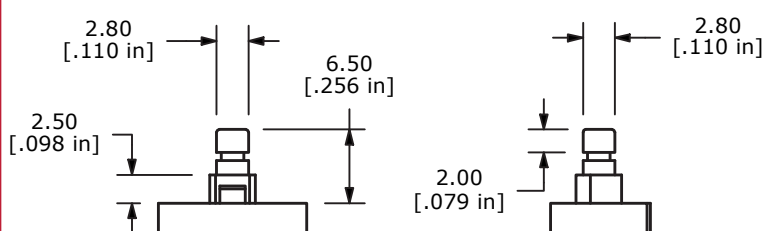
**Z - 2.8MM SQUARE**



**X - 2.0MM x 3.0MM**



**Y - 3.3MM SQUARE**



**Z - 2.8MM SQUARE**



ANTI-VANDAL SWITCHES  
DETECTOR SWITCHES  
DIP SWITCHES  
KEYLOCK SWITCHES  
NAVIGATION SWITCHES  
PUSHBUTTON SWITCHES  
ROCKER SWITCHES  
ROTARY SWITCHES  
SLIDE SWITCHES  
SNAP ACTION SWITCHES  
TACTILE SWITCHES  
TOGGLE SWITCHES  
CAP OPTIONS

## Looking for pricing, stock, or lifecycle information?

Click below to explore more details on WIN SOURCE:

 [View TL2201EEZA on WIN SOURCE](#)

 [E-SWITCH](#) Information

## Optimize Your Supply Chain with WIN SOURCE Solutions

-  Global Sourcing Solution
-  Obsolete Management
-  Cost Control Management
-  Shortage Management
-  Alternative Solution
-  Excess Inventory Management