



THE DATASHEET OF
170-009-273L030



SPECIFICATIONS:

ELECTRICAL:

CURRENT RATING: 5 AMPS
 CONTACT RESISTANCE: 15 mOhms MAX.
 INSULATION RESISTANCE: 1,000 MOhms MIN.
 OPERATING TEMPERATURE: -50°C TO +100°C
 VOLTAGE: 500 VAC FOR 1 MINUTE

MATERIALS:

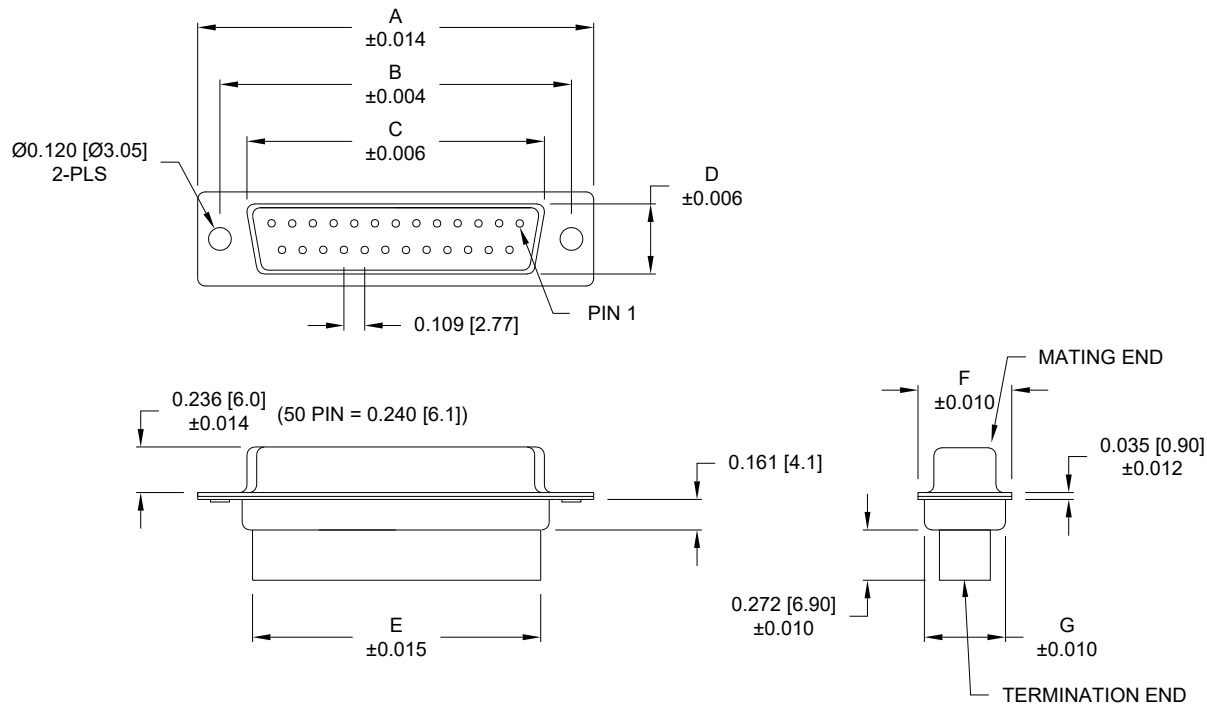
FRONT INSULATOR: PBT-BLACK, UL94V-0 RATED
 REAR INSULATOR: PA66-BLACK, UL94V-0 RATED
 PROCESS TEMP: 230°C
 SHELL: NICKEL PLATED STEEL

COMPATIBLE WITH NORCOMP CONTACT PART NUMBERS BELOW:

170-002-170L001 170-102-170L001
 170-002-170L002 170-102-170L002
 170-002-170L003 170-102-170L003
 170-202-170L003

****NOTE: CONTACTS MUST BE PURCHASED SEPARATELY****
****NOTE: ASSEMBLY INSTRUCTION ON PAGE 3****

NORCOMP MACHINED CONTACT PART NUMBERS 170-201-170L003, 170-202-170L003, & 170-202-170L005 ONCE INSERTED INTO NORCOMP 170 SERIES CRIMP AND POKE CONNECTORS, CANNOT BE REMOVED.



		DIMENSIONS						
No. OF PINS	UNITS	A	B	C	D	E	F	G
9	inch	1.213	0.984	0.642	0.311	0.618	0.496	0.429
	mm	30.80	24.99	16.30	7.90	15.70	12.60	10.90
15	inch	1.541	1.312	0.970	0.311	0.933	0.496	0.429
	mm	39.15	33.32	24.65	7.90	23.70	12.60	10.90
25	inch	2.087	1.852	1.512	0.311	1.496	0.496	0.429
	mm	53.00	47.04	38.40	7.90	38.00	12.60	10.90
37	inch	2.728	2.500	2.157	0.311	2.142	0.496	0.429
	mm	69.30	63.50	54.80	7.90	54.40	12.60	10.90
50	inch	2.638	2.402	2.055	0.429	2.039	0.602	0.535
	mm	67.00	61.00	52.20	10.90	51.80	15.30	13.60

170-YYY-27YLYY0

SERIES _____
 POSITIONS _____
 009 _____
 015 _____
 025 _____
 037 _____
 050 _____
 GENDER _____
 2 = FEMALE
 TERMINATION _____
 7 = CRIMP & POKE
 SHELL PLATING _____
 2 = TIN (DISCONTINUED)
 3 = NICKEL
 HARDWARE OPTIONS _____
 00 = NO HARDWARE
 01 = .098" CLINCH NUT (SOLDER SIDE)
 02 = .236" CLINCH NUT (SOLDER SIDE)
 03 = .236" CLINCH NUT (MATING SIDE)
 04 = .098" M3 CLINCH NUT (SOLDER SIDE)
 PLATING OPTIONS _____
 0 = NO CONTACTS

RoHS COMPLIANT

UNITS = inch [mm]

DO NOT SCALE FROM DRAWING



THESE DRAWINGS AND SPECIFICATIONS ARE THE PROPERTY OF NorComp AND SHALL NOT BE REPRODUCED, COPIED OR USED AS THE BASIS FOR THE MANUFACTURE OR SALE OF APPARATUS WITHOUT WRITTEN PERMISSION.

DRAWN: P. JENKINS

DATE: 08/18/1998

NorComp

SCALE: NTS

SHEET 1 OF 3

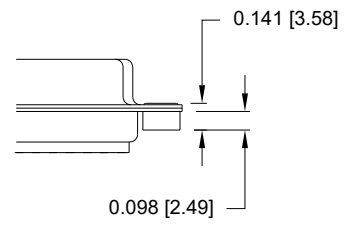
REV 20

DWG NO.

170-YYY-27YLYY0

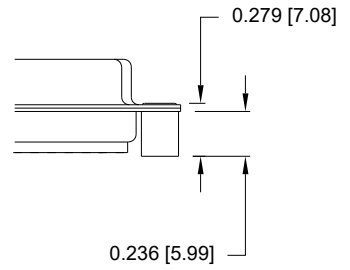
TOLERANCE:
ALL DIMENSIONS ARE ±0.010

01 0.065" (SOLDER SIDE)



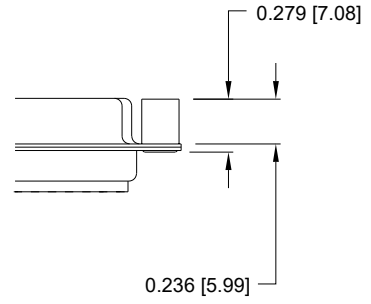
#4-40 INTERNAL THREADS

02 0.236" (SOLDER SIDE)



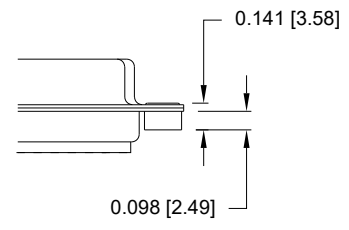
#4-40 INTERNAL THREADS

03 0.236" (MATING SIDE)



#4-40 INTERNAL THREADS

04 0.065" (SOLDER SIDE)



M3 INTERNAL THREADS

RoHS COMPLIANT

UNITS = inch [mm]

DO NOT SCALE FROM DRAWING

DRAWN:
P. JENKINS
DATE:
08/18/1998



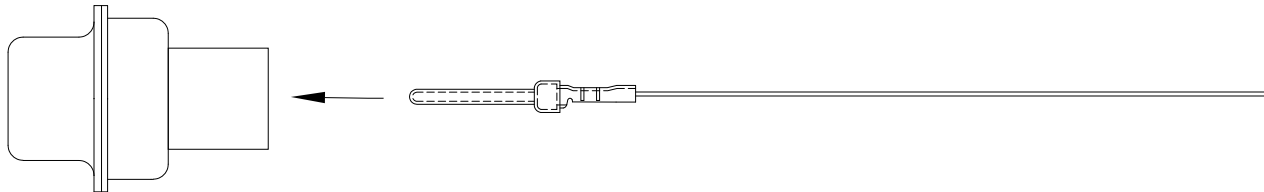
SCALE: NTS	SHEET 2	OF 3	REV 20
DWG NO. 170-YYY-27YLYY0			



THESE DRAWINGS AND SPECIFICATIONS ARE THE PROPERTY OF NorComp AND SHALL NOT BE REPRODUCED, COPIED OR USED AS THE BASIS FOR THE MANUFACTURE OR SALE OF APPARATUS WITHOUT WRITTEN PERMISSION.

ASSEMBLY INSTRUCTIONS:

1. CHOOSE CONTACT THAT IS COMPATIBLE
 - a. SHOWN ON PAGE 1
2. USE APPROPRIATE CRIMP TOOL
 - a. 170-701-170-000 (STAMPED CRIMP HAND TOOL)
 - b. 170-702-170-000 (MACHINED CRIMP HAND TOOL)
3. FOLLOW CRIMP HAND TOOL INSTRUCTIONS
 - a. FOUND ON NORCOMP WEBSITE ON 170 SERIES CONTACTS PRODUCT PAGE
 - b. <https://www.norcomp.net/series/170-series-contacts>
4. ONCE CONTACT IS CRIMPED INSERT INTO HOUSING AS SHOWN BELOW:



RoHS COMPLIANT

UNITS = inch [mm]

DO NOT SCALE FROM DRAWING



THESE DRAWINGS AND SPECIFICATIONS ARE THE PROPERTY OF NorComp AND SHALL NOT BE REPRODUCED, COPIED OR USED AS THE BASIS FOR THE MANUFACTURE OR SALE OF APPARATUS WITHOUT WRITTEN PERMISSION.

DRAWN:

P. JENKINS

DATE:

08/18/1998

NorComp

SCALE:

NTS

SHEET

OF

3

3

REV

20

DWG NO.

170-YYY-27YLYY0

Looking for pricing, stock, or lifecycle information?

Click below to explore more details on WIN SOURCE:

 [View 170-009-273L030 on WIN SOURCE](#)

 [NorComp Inc. Information](#)

Optimize Your Supply Chain with WIN SOURCE Solutions

-  Global Sourcing Solution
-  Obsolete Management
-  Cost Control Management
-  Shortage Management
-  Alternative Solution
-  Excess Inventory Management