



**THE DATASHEET OF
TG.22.0152**



SPECIFICATION

- Part No. : **TG.22.0152**
- Product Name : Penta-Band Cellular Connector Mount
Monopole Helical GSM-DCS-PCS-UMTS-CDMA
-GPRS -EDGE-HSPA800MHz ~2200 MHz
- Features : 0dBi Gain RP-SMA(M) Fixed Right Angle plug,
50 Ohms
- ROHS Compliant**



1. Introduction

The TG.22.0152 Penta-band GSM-DCS-PCS-UMTS-CDMA-GPRS-EDGE-HSPA 800MHz to 2200MHz monopole helical antenna is a quality robust antenna with high gain in small form factor.

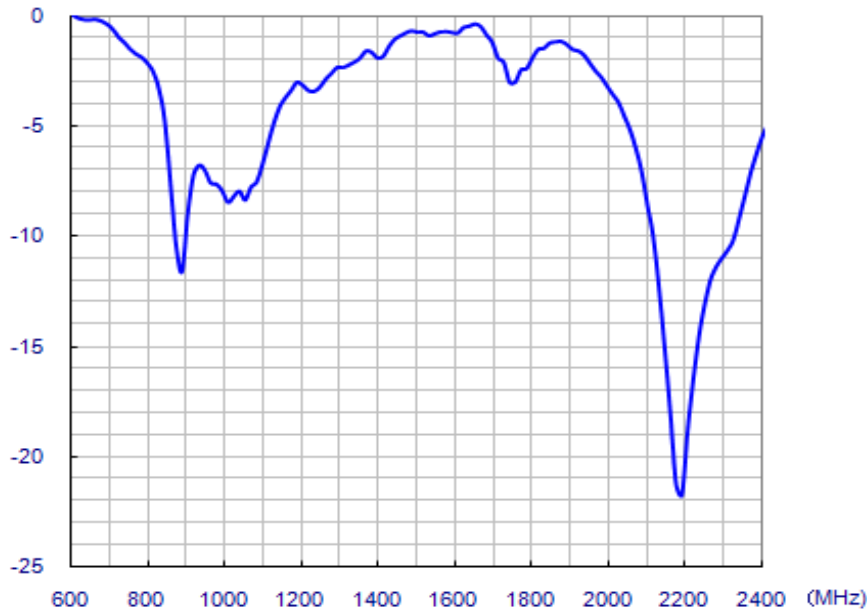
Connection is made via fixed right angle RP-SMA(M) connector with a hardened waterproof PU casing, this antenna is the ideal GSM antenna for telematics devices.

2. Specifications

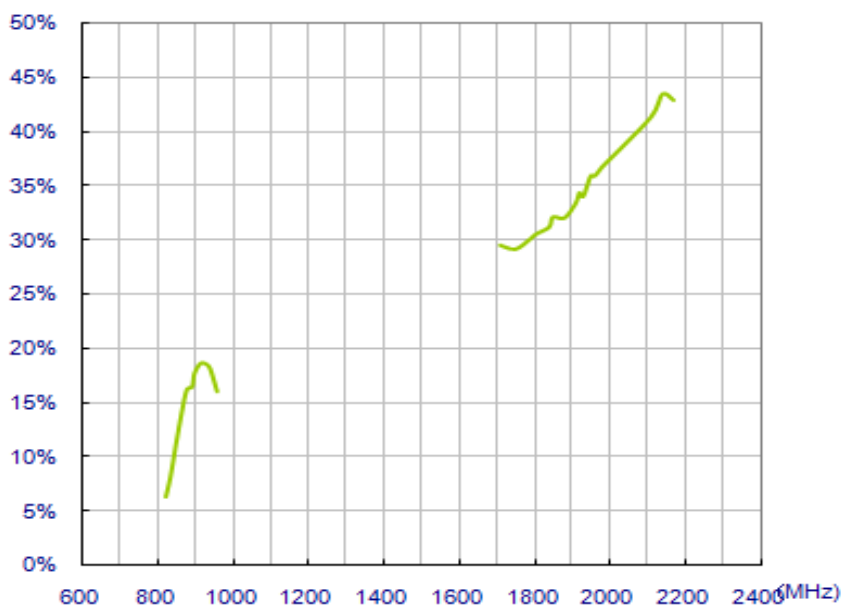
ELECTRICAL	
Frequency Range	800MHz to 2200MHz
Bands	GSM-DCS-PCS-UMTS-CDMA-GPRS-EDGE-HSPA
VSWR	≤ 2.3
Power Handling	20W
Polarization	Linear
Impedance	50 Ohms
Connector	RP-SMA(M)RA
ENVIRONMENTAL	
Temperature	-40°C to +85°C
MECHANICAL	
Radome Colour	Black
Radome Material	Pu
Weight	6g

3. Performance Measurements

3.1. Return Loss (dB)

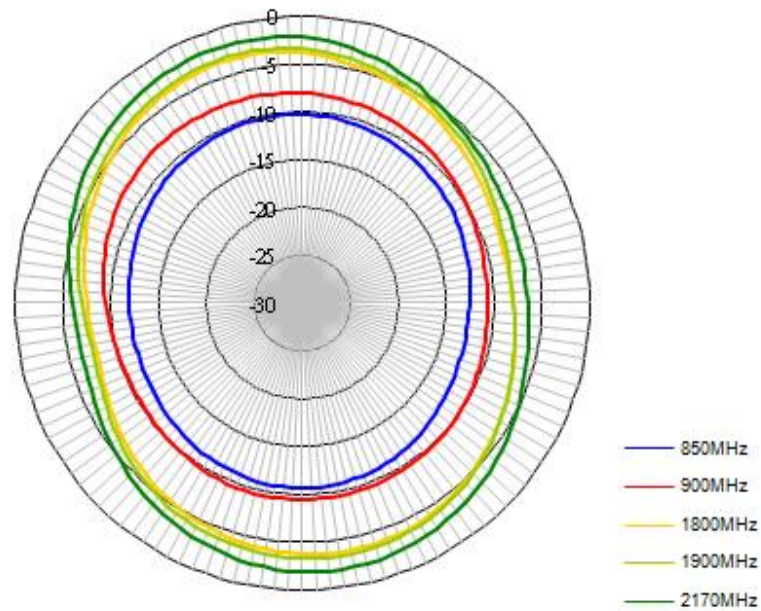


3.2. Efficiency

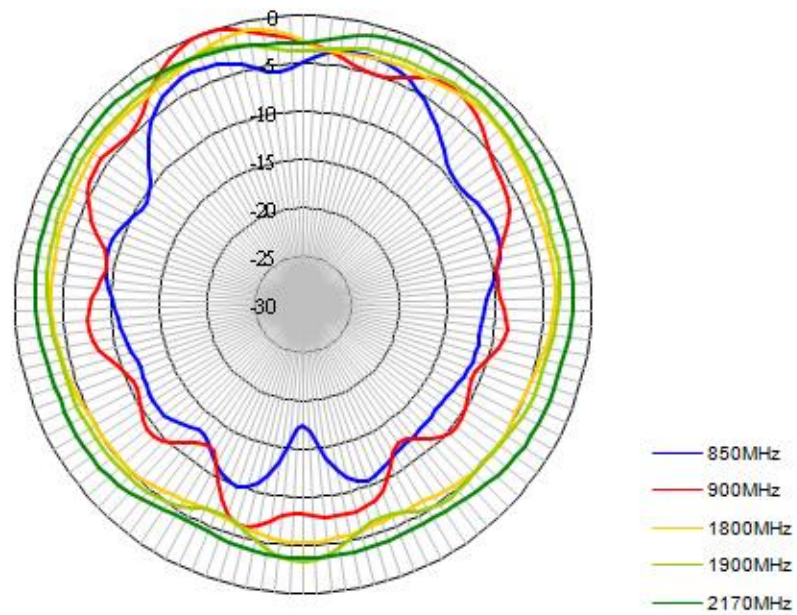


TG.22.0112	
Frequency	Efficiency
824	6.27%
836	8.09%
849	10.76%
869	14.60%
880	16.19%
894	16.45%
900	17.70%
915	18.58%
925	18.62%
940	18.21%
960	16.00%
1575	21.75%
1710	29.50%
1750	29.13%
1785	29.94%
1805	30.52%
1840	31.18%
1850	32.10%
1880	32.01%
1910	33.35%
1920	34.33%
1930	34.01%
1950	35.90%
1960	35.87%
1980	36.71%
1990	37.07%
2110	41.34%
2140	43.44%
2170	42.88%

3.3. Radiation Pattern Data

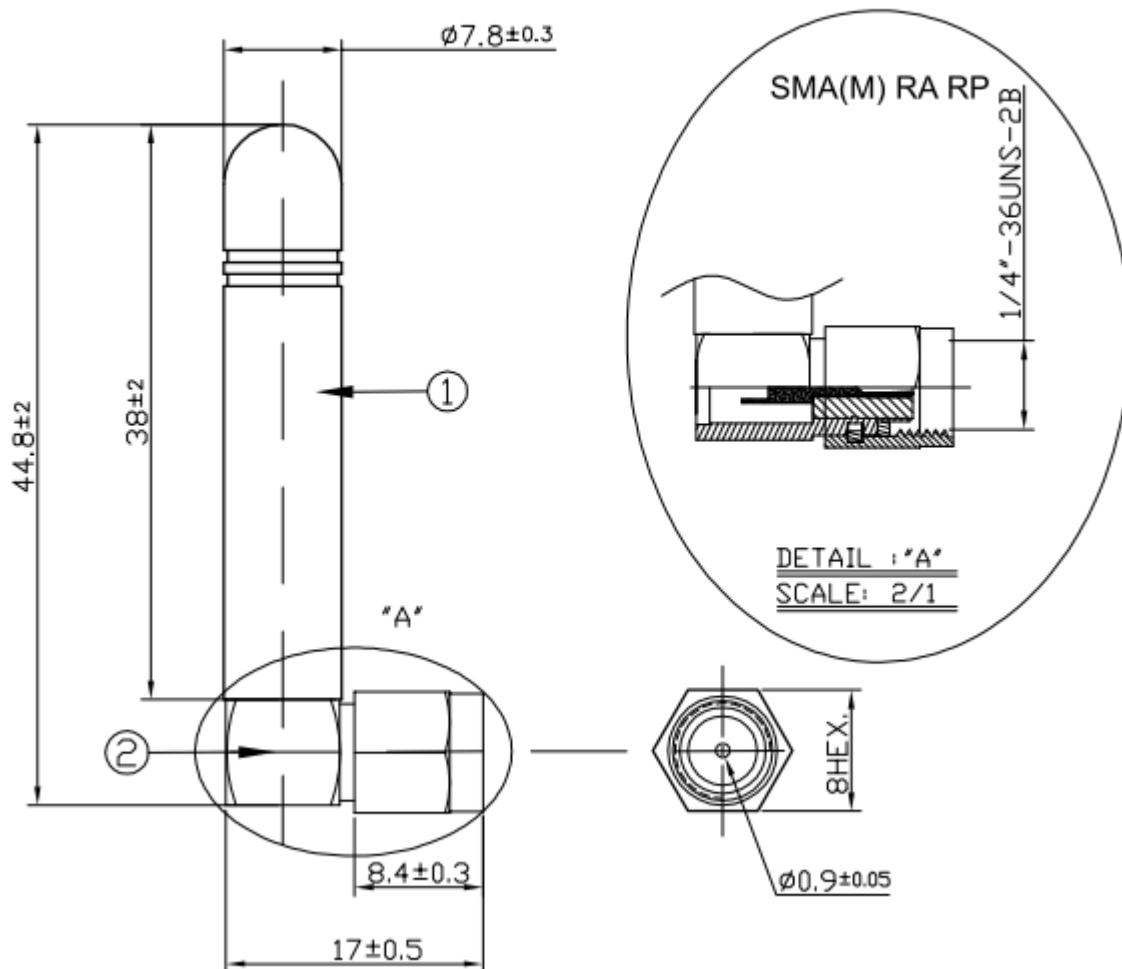


Radiation Pattern, Azimuth Plane (XY)



Radiation Pattern, Aligned at the Connector

4. Mechanical Drawing (Unit: mm)



	Name	P/N	Material	Finish	QTY
①	Antenna Housing	000111F0300XXA	TPEE	Black	1
②	SMA(M) RP RA	200211J020002A	Brass	Gold	1

5. Installation

- 1) Use hand to screw the SMA connector.
Tighten it until it feels a little tight.



- 2) Use torque wrench which has 0.9 Nm torque limit to tighten it.



- 3) Do not use normal wrench.



Taoglas makes no warranties based on the accuracy or completeness of the contents of this document and reserves the right to make changes to specifications and product descriptions at any time without notice. Taoglas reserves all rights to this document and the information contained herein.

Reproduction, use or disclosure to third parties without express permission is strictly prohibited.

Copyright © Taoglas Ltd.

Looking for pricing, stock, or lifecycle information?

Click below to explore more details on WIN SOURCE:

 [View TG.22.0152 on WIN SOURCE](#)

 [Taoglas Limited](#) Information

Optimize Your Supply Chain with WIN SOURCE Solutions

-  Global Sourcing Solution
-  Obsolete Management
-  Cost Control Management
-  Shortage Management
-  Alternative Solution
-  Excess Inventory Management