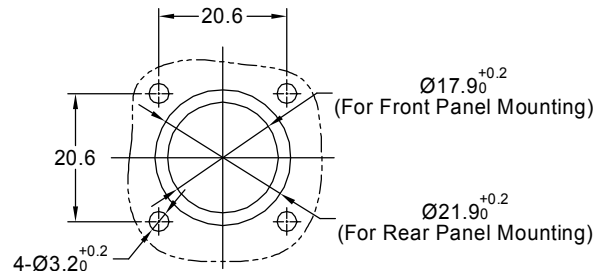
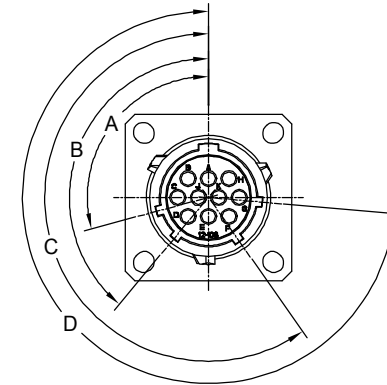
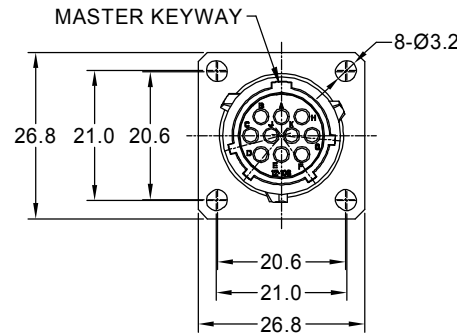
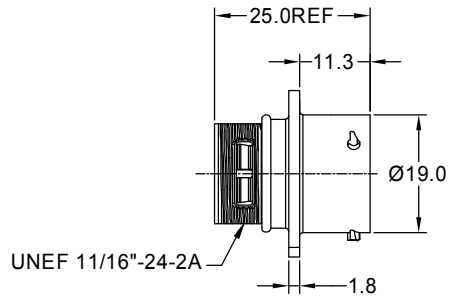




**THE DATASHEET OF  
RT0W01210SNH**



REVISIONS					
REV	ECO	DESCRIPTION	DATE	BY	APPR
B1	-	RELEASED DRAWING	July-04-2014	Ben	Tommy
B2	-	MODIFY THE INSERT LETTER LOCATION	May-20-2016	Ben	Tommy
B3	-	VOLTAGE UPDATE AND ADD KEY ICON	Nov-28-2020	Ronald	Tommy

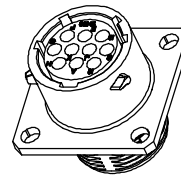


KEY POS	PART NUMBER		A	B	C	D
	-40°C ~ 105°C	-40°C ~ 125°C				
N	RT0W01210SNH	RT0W01210SNH03	105°	140°	215°	265°
W	RT0W01210SWH	RT0W01210SWH03	60°	140°	215°	265°
X	RT0W01210SXH	RT0W01210SXH03	105°	155°	215°	265°
Y	RT0W01210SYH	RT0W01210SYH03	105°	140°	225°	265°
Z	RT0W01210SZH	RT0W01210SZH03	105°	140°	215°	295°

NOTES : (UNLESS OTHERWISE SPECIFIED)

- MATERIAL :  
SHELL : ZINC ALLOY , NICKEL PLATED.  
INSERT : THERMOPLASTIC , UL94 V-0.  
SEAL GASKET : NBR/SILICONE RUBBER.  
O-RING : NBR/SILICONE RUBBER.
- SPECIFICATIONS :  
2.1 RATED CURRENT :  
2.1.1 STAMPED CONTACT 5A (MAX).  
2.1.2 MACHINED CONTACT 7.5A (MAX).  
2.2 RATED VOLTAGE : 250V ( AC/DC ) ,  
2.3 OPERATING TEMPERATURE : SEE CHART.  
2.4 DIELECTRIC WITHSTANDING VOLTAGE : LESS THAN  
2 MILLIAMPS CURRENT LEAKAGE@1500 VOLTS AC.  
2.5 INSULATION RESISTANCE : 5000 MEGOHMS MIN.  
2.6 IP--CLASS : IP67 (MATED CONDITION).  
2.7 MATING CYCLES DURABILITY : 500 CYCLES(MIN).  
2.8 RoHS COMPLIANT.
- SUITABLE CONTACTS : 20# CONTACTS.
- ALL DIMENSIONS ARE FOR REFERENCE USE ONLY.

PANEL CUT OUT REFERENCE



QUANTITY	SEE PART NUMBER CHART	DESCRIPTION	ITEM
<b>MATERIALS LIST</b>			
<b>UNLESS OTHERWISE SPECIFIED</b> 1) All dimensions are in metric(mm). 2) Tolerances are as follows: 1 PL DEC ±0.30 2 PL DEC ±0.15 3 PL DEC ±0.08 Fractions ±1/64 Angles ±1° 3) Note reference =		<b>SIGNATURES</b> <b>DATE</b> DRAWN: <b>Ronald</b> <b>Nov-29-2020</b> CHECKED: <b>Flan</b> <b>Nov-29-2020</b> ENGINEER: APPROVAL: <b>Tommy</b> <b>Nov-30-2020</b> CUSTOMER: THIS DRAWING IS SUPPLIED FOR INFORMATION ONLY. DESIGN FEATURES, SPECIFICATIONS AND PERFORMANCE DATA SHOWN HEREON ARE THE PROPERTY OF THE AMPHENOL CORPORATION. NO RIGHTS OF REPRODUCTION ARE IMPLIED. ALL DIMENSIONS ARE SUBJECT TO NORMAL MANUFACTURING VARIATIONS.	
MATERIAL SPECIFICATIONS: PROCESS SPECIFICATIONS: NEXT ASSY:		 Sine Systems - www.amphenol-sine.com 44724 Morley Drive Clinton Township, MI 48036 <b>ECOMATE RM, RECEPTACLE, SIZE 12,10POS, SOCKET.</b>	
<b>SIZE</b> <b>TYPE</b> <b>DWG NO.</b> <b>B</b> <b>C-</b> <b>RT0W01210S*Hx</b>		<b>REVISION</b> <b>B3</b>	
<b>SCALE</b> <b>NONE</b>		<b>SHEET</b> <b>1</b> <b>OF</b> <b>1</b>	

TITLE: ECOMATE RM, RECEPTACLE, SIZE 12,10POS, SOCKET.    DWG NO.: RT0W01210S\*Hx    REV: B3    SH: 1    OF: 1

# ecomate® RM, RSSM and Aquarius™ Series

## Size 20 Contact & Tooling Options

Machined, Crimp Contacts				
Part Number		Contact Size (AWG)	Wire Range (mm <sup>2</sup> )	Plating
Male	Female			
MP20W23F	MS20W23F	20-22AWG	0.34-0.50 mm <sup>2</sup>	Gold Flash
MP20W23G5	MS20W23G5	20-22AWG	0.34-0.50 mm <sup>2</sup>	Gold 5μ"
MP20W23G10	MS20W23G10	20-22AWG	0.34-0.50 mm <sup>2</sup>	Gold 10μ"
MP20W23G15	MS20W23G15	20-22AWG	0.34-0.50 mm <sup>2</sup>	Gold 15μ"
MP20W23G30	MS20W23G30	20-22AWG	0.34-0.50 mm <sup>2</sup>	Gold 30μ"
MP24W23F	MS24W23F	24-26AWG	0.14-0.25 mm <sup>2</sup>	Gold Flash
MP24W23G5	MS24W23G5	24-26AWG	0.14-0.25 mm <sup>2</sup>	Gold 5μ"
MP24W23G10	MS24W23G10	24-26AWG	0.14-0.25 mm <sup>2</sup>	Gold 10μ"
MP24W23G15	MS24W23G15	24-26AWG	0.14-0.25 mm <sup>2</sup>	Gold 15μ"
MP24W23G30	MS24W23G30	24-26AWG	0.14-0.25 mm <sup>2</sup>	Gold 30μ"
MP28W23F	MS28W23F	28-30AWG	0.05-0.08 mm <sup>2</sup>	Gold Flash
MP28W23G5	MS28W23G5	28-30AWG	0.05-0.08 mm <sup>2</sup>	Gold 5μ"
MP28W23G10	MS28W23G10	28-30AWG	0.05-0.08 mm <sup>2</sup>	Gold 10μ"
MP28W23G15	MS28W23G15	28-30AWG	0.05-0.08 mm <sup>2</sup>	Gold 15μ"
MP28W23G30	MS28W23G30	28-30AWG	0.05-0.08 mm <sup>2</sup>	Gold 30μ"

Stamped & Formed, Crimp Contacts				
Part Number		Contact Size (AWG)	Wire Range (mm <sup>2</sup> )	Plating
Male	Female			
SP20W2F	SS20W2F	20-22AWG	0.34-0.50 mm <sup>2</sup>	Gold Flash
SP20W2G5	SS20W2G5	20-22AWG	0.34-0.50 mm <sup>2</sup>	Gold 5μ"
SP20W2G10	SS20W2G10	20-22AWG	0.34-0.50 mm <sup>2</sup>	Gold 10μ"
SP20W2G15	SS20W2G15	20-22AWG	0.34-0.50 mm <sup>2</sup>	Gold 15μ"
SP20W2G30	SS20W2G30	20-22AWG	0.34-0.50 mm <sup>2</sup>	Gold 30μ"
SP24W2F	SS24W2F	24-26AWG	0.14-0.25 mm <sup>2</sup>	Gold Flash
SP24W2G5	SS24W2G5	24-26AWG	0.14-0.25 mm <sup>2</sup>	Gold 5μ"
SP24W2G10	SS24W2G10	24-26AWG	0.14-0.25 mm <sup>2</sup>	Gold 10μ"
SP24W2G15	SS24W2G15	24-26AWG	0.14-0.25 mm <sup>2</sup>	Gold 15μ"
SP24W2G30	SS24W2G30	24-26AWG	0.14-0.25 mm <sup>2</sup>	Gold 30μ"
SP28W2F	SS28W2F	28-30AWG	0.05-0.08 mm <sup>2</sup>	Gold Flash
SP28W2G5	SS28W2G5	28-30AWG	0.05-0.08 mm <sup>2</sup>	Gold 5μ"
SP28W2G10	SS28W2G10	28-30AWG	0.05-0.08 mm <sup>2</sup>	Gold 10μ"
SP28W2G15	SS28W2G15	28-30AWG	0.05-0.08 mm <sup>2</sup>	Gold 15μ"
SP28W2G30	SS28W2G30	28-30AWG	0.05-0.08 mm <sup>2</sup>	Gold 30μ"

Machined, Tooling	
Part Number	Description
QXRT20	Contact Extraction Tool, #20 (Ø 1.0) Contact
MFX-3959	Hand Crimp Tool for Machined Contacts
MFX-3960	Pneumatic Crimp Tool for Machined Contact

Stamped & Formed, Tooling	
Part Number	Description
QXRT20	Contact Extraction Tool, #20 (Ø 1.0) Contact
MFX-3958	Hand Tool, Stamped & Formed Contact, Size 20, 20-28AWG
MFX-3957	Crimp Die for Stamped & Formed Contact

Plating Options, All	
Symbol	Plating
T	Tin Plated (for Stamped & Formed Contacts)
S	Silver Plated 5Um (for Machined Contacts)
F	Gold Plated
G5	Gold Plated (Thickness 5μ")
G10	Gold Plated (Thickness 10μ")
G15	Gold Plated (Thickness 15μ")
G30	Gold Plated (Thickness 30μ")

Misc Tooling, All	
Part Number	Description
CA-4020-59	Sealing Plug, Size 16 & 20

Standard Quantity Order Options	
Machined	Bulk Package, 500 Pieces
Stamped & Formed	Reel, 3000 Pieces

# ecomate® RM and RSSM Series

## Size 20 PC Tail Contact & Tooling Options

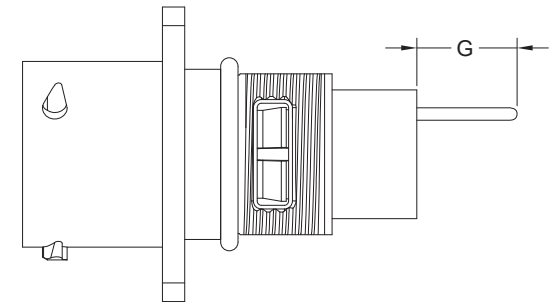
Machined, PC Tail Contacts				
Part Number		Contact Size (AWG)	Description	Plating
Male	Female			
MP20W12E06F	MS20W12E06F	20AWG	Short Version	Gold Flash
MP20W12E06G5	MS20W12E06G5	20AWG	Short Version	Gold 5μ"
MP20W12E06G10	MS20W12E06G10	20AWG	Short Version	Gold 10μ"
MP20W12E06G15	MS20W12E06G15	20AWG	Short Version	Gold 15μ"
MP20W12E06G30	MS20W12E06G30	20AWG	Short Version	Gold 30μ"
MP20W12E09F	MS20W12E09F	20AWG	Long Version	Gold Flash
MP20W12E09G5	MS20W12E09G5	20AWG	Long Version	Gold 5μ"
MP20W12E09G10	MS20W12E09G10	20AWG	Long Version	Gold 10μ"
MP20W12E09G15	MS20W12E09G15	20AWG	Long Version	Gold 15μ"
MP20W12E09G30	MS20W12E09G30	20AWG	Long Version	Gold 30μ"

Stamped & Formed, PC Tail Contacts				
Part Number		Contact Size (AWG)	Description	Plating
Male	Female			
-	-	-	-	-
-	-	-	-	-
-	-	-	-	-
-	-	-	-	-
-	-	-	-	-
-	-	-	-	-
-	-	-	-	-
-	-	-	-	-
-	-	-	-	-
-	-	-	-	-
-	-	-	-	-
-	-	-	-	-
-	-	-	-	-
-	-	-	-	-

PCB Contact Dimensions - Nominal Length G (Size 20 PC Tail dimensions for ecomate® RM and ecomate® RSSM connectors only.)						
Pin Contact						
Shell Size	MP20W12E06xx	MP20W12E09xx	MP16M12E04xx	MP16M12E06xx	MP10B12E05xx	MP10B12E08xx
10	4.0mm	9.5mm	4.0mm	8.0mm	-	-
12	4.0mm	9.5mm	4.0mm	8.0mm	5.0mm	-
14	4.0mm	9.5mm	4.0mm	8.0mm	5.2mm	-
16	4.0mm	9.5mm	4.0mm	8.0mm	-	-
18	-	9.5mm	4.0mm	8.0mm	-	-
20	-	9.5mm	4.0mm	8.0mm	-	-
24	-	-	-	3.9mm	-	-

Socket Contact						
Shell Size	MP20W12E06xx	MP20W12E09xx	MP16M12E04xx	MP16M12E06xx	MP10B12E05xx	MP10B12E08xx
10	3.3mm	8.5mm	2.4mm	3.0mm	-	-
12	3.3mm	8.5mm	2.4mm	3.0mm	-	-
14	3.3mm	8.5mm	2.4mm	3.0mm	-	-
16	3.3mm	8.5mm	2.4mm	3.0mm	-	-
18	--	8.5mm	2.4mm	-	-	-
20	--	8.5mm	2.4mm	-	-	-
24	-	-	-	-	-	-

Standard Quantity Order Options	
Machined	Bulk, 500 Pieces
Stamped & Formed	-





**NOTE:** For ecomate® Aquarius™ PC Tail options, see our **ecomate® Aquarius™ PCB Mount Jam Nut Receptacles Flyer** online at [www.amphenol-sine.com](http://www.amphenol-sine.com).

Amphenol Sine Systems 44724 Morley Drive, Clinton Township, MI 48036 USA [www.amphenol-sine.com](http://www.amphenol-sine.com) 04-2025

## Looking for pricing, stock, or lifecycle information?

Click below to explore more details on WIN SOURCE:

-  [View RT0W01210SNH on WIN SOURCE](#)
-  [Amphenol Sine Systems Corp Information](#)

## Optimize Your Supply Chain with WIN SOURCE Solutions

-  Global Sourcing Solution
-  Obsolete Management
-  Cost Control Management
-  Shortage Management
-  Alternative Solution
-  Excess Inventory Management