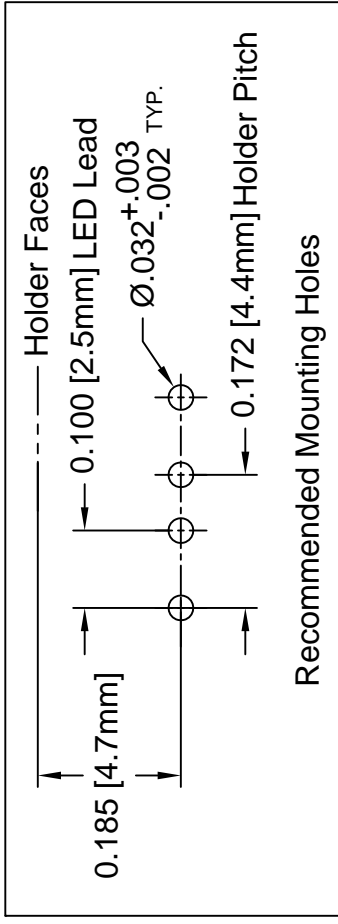
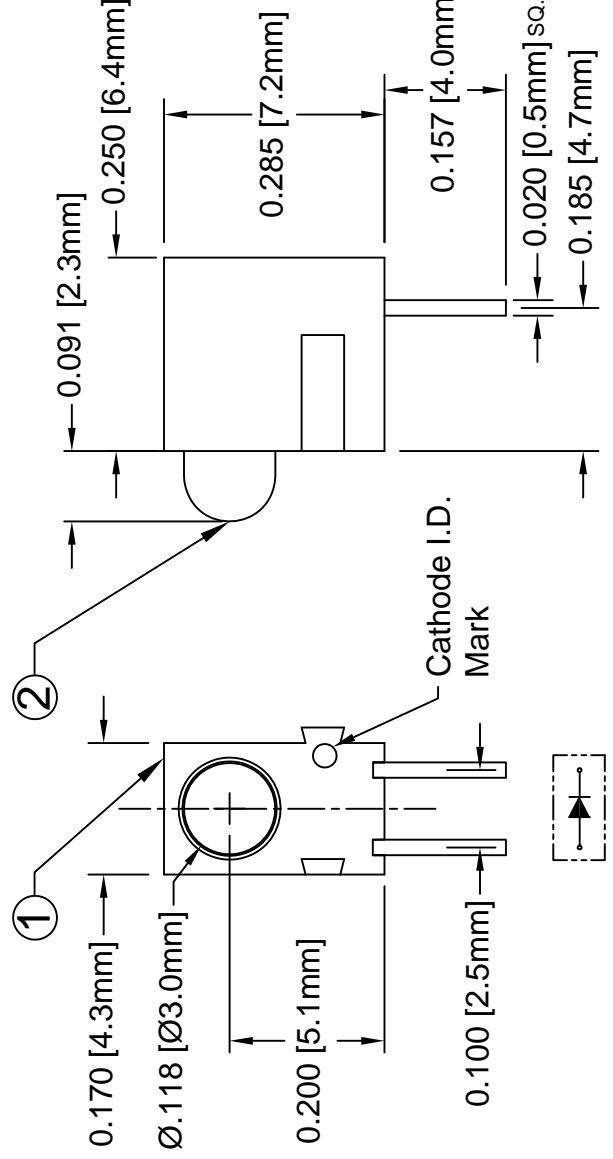


ITEM	Q'TY	PART NUMBER	PART DESCRIPTION
1	1	H-100C	T-1 (3mm) LED Holder, 90° Mount, Interlocking Center
2	1	3XX-S	T-1 (3mm) N-Flange Shouldered LED, See Page 2

REV.	DESCRIPTION
A	Engineering Update
B	LED Package Change
C	Engineering Update



ABSOLUTE MAXIMUM RATINGS (Ta=25° C)

REVERSE VOLTAGE _____ 5V
 REVERSE CURRENT _____ 100uA
 OPERATING TEMPERATURE RANGE _____ -25° C - 85° C
 STORAGE TEMPERATURE _____ -30° C - 100° C
 LEAD SOLDERING TEMPERATURE(1/16" FROM BODY) _____ 260° C FOR 5 SECONDS

STANDARD TOLERANCES (UNLESS OTHERWISE SPECIFIED)	
ANGULAR	X°
DECIMALS	.X ±.1 .XX ±.02 .XXX ±.010
DESIGNED BY:	S. Irving
DATE:	03/00
CHECKED BY:	A. Vligate
DATE:	03/00

LED Assy. No.	Peak Wave Length λ_p (nm)	Emitted Color	Lens Appearance	Electro-Optical Data			
				If (mA)	Vf (V)	Iv (mcd)	
				TYP	TYP	MAX	TYP
STANDARD							
Data @ 20mA							
H100CBWD	430	BLUE	DIFFUSED	20	4.0	4.5	20
H100CGD	565	GREEN	DIFFUSED	20	2.2	2.6	30
H100CYD	585	YELLOW	DIFFUSED	20	2.1	2.6	20
H100CHD	635	HE RED	DIFFUSED	20	2.0	2.6	30
H100CRD	655	RED	DIFFUSED	20	1.7	2.0	6
H100CSR	660	SUPER RED	DIFFUSED	20	1.7	2.6	90
LOW CURRENT							
Data @ 2mA							
H100CGDL	565	GREEN	DIFFUSED	2	1.9	2.2	6
H100CYDL	585	YELLOW	DIFFUSED	2	1.9	2.2	4
H100CHDL	635	HE RED	DIFFUSED	2	1.8	2.2	6
5 VOLT							
Data @ 5V							
H100CGD5V	565	GREEN	DIFFUSED	10	-	5.0	30
H100CYD5V	585	YELLOW	DIFFUSED	10	-	5.0	20
H100CHD5V	635	HE RED	DIFFUSED	10	-	5.0	30

STANDARD TOLERANCES
(UNLESS OTHERWISE SPECIFIED)
 $\pm 10\%$ ALL VALUES ANGLE X°

DESIGNED:	T. Yin	DATE:	03/00
CHECKED:	D. Green	DATE:	03/00



Looking for pricing, stock, or lifecycle information?

Click below to explore more details on WIN SOURCE:

 [View H100CGD on WIN SOURCE](#)

 [Bivar Inc. Information](#)

Optimize Your Supply Chain with WIN SOURCE Solutions

-  Global Sourcing Solution
-  Obsolete Management
-  Cost Control Management
-  Shortage Management
-  Alternative Solution
-  Excess Inventory Management