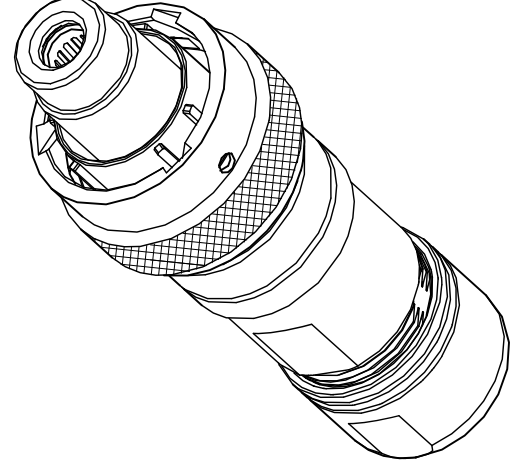
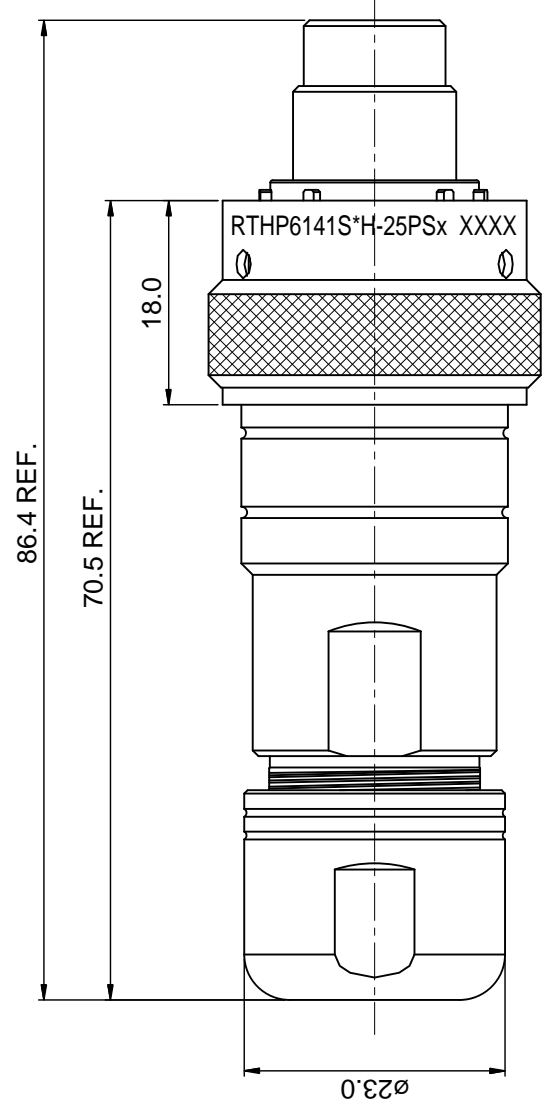
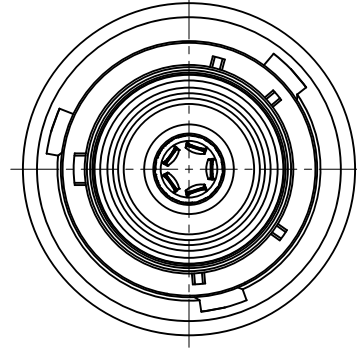
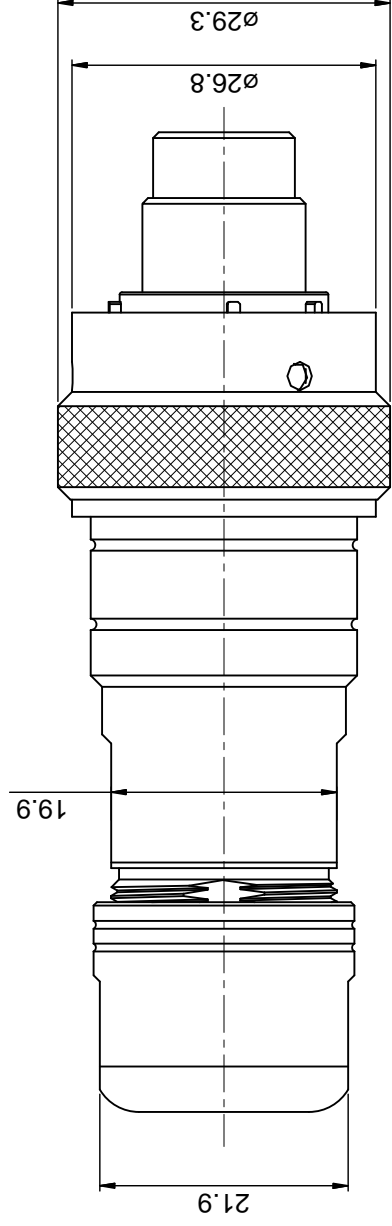




**THE DATASHEET OF
RTHP6141SNH25S2**







KEY POS	PART NO.	Cable OD Range
N	RTHP6141SNH-25S1	6.0-9.5 mm
W	RTHP6141SWH-25S1	
X	RTHP6141SXH-25S1	
Y	RTHP6141SYH-25S1	
Z	RTHP6141SZH-25S1	

KEY POS	PART NO.	Cable OD Range
N	RTHP6141SNH-25S2	9.5-12.5 mm
W	RTHP6141SWH-25S2	
X	RTHP6141SXH-25S2	
Y	RTHP6141SYH-25S2	
Z	RTHP6141SZH-25S2	

QUANTIT	UNLESS OTH	1) All dimension	2) Tolerance a	1 PL DEC +0.3	2 PL DEC +0.1	3 PL DEC +0.0	3) Note referen	MATERIAL SPECI	PROCESS SPECIF	NEXT ASSY.
---------	------------	------------------	----------------	---------------	---------------	---------------	-----------------	----------------	----------------	------------

Looking for pricing, stock, or lifecycle information?

Click below to explore more details on WIN SOURCE:

-  [View RTHP6141SNH25S2 on WIN SOURCE](#)
-  [Amphenol Sine Systems Corp Information](#)

Optimize Your Supply Chain with WIN SOURCE Solutions

-  Global Sourcing Solution
-  Obsolete Management
-  Cost Control Management
-  Shortage Management
-  Alternative Solution
-  Excess Inventory Management