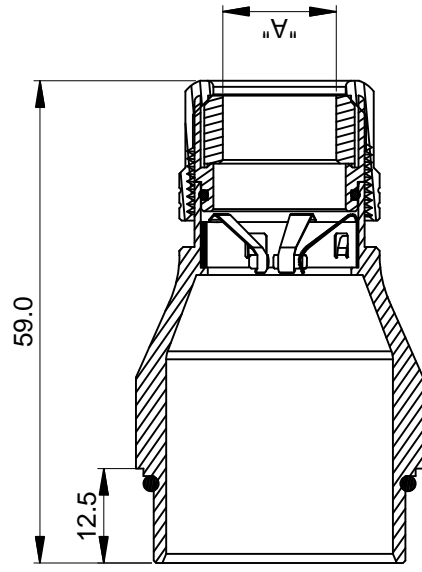
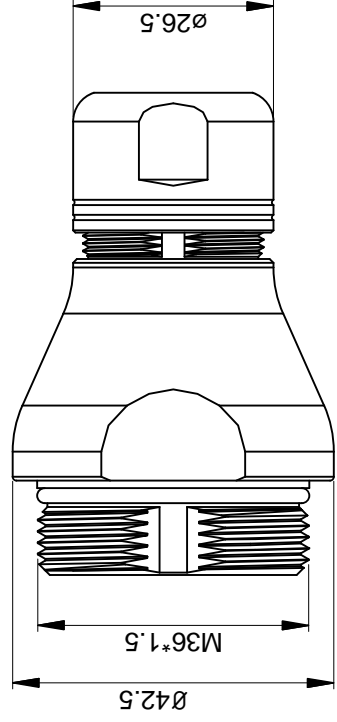
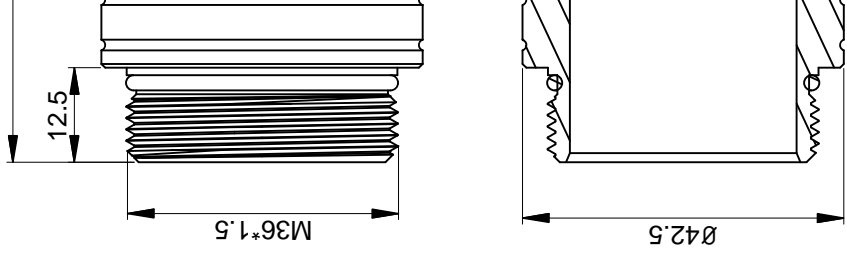
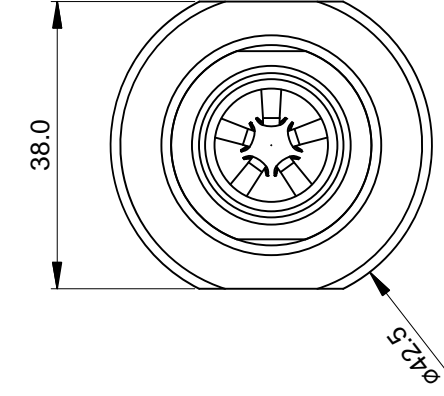




THE DATASHEET OF MC3CG-S1





NOTES: UNLESS OTHERWISE SPECIFIED



1. MATERIAL:
EMI SHIELDING RING: STAINLESS STEEL
SEAL: EPDM
HOUSING BODY: ZINC DIE CAST, NICKEL PLATED
2. SPECIFICATIONS:
2.1 DEGREE OF PROTECTION: IP67 (MATED CONDITION)
2.2 RoHS COMPLIANT
3. ALL DIMENSIONS ARE FOR REFERENCE USE ONLY.

Part Number	Dimension "A "	Cable OD Range
MC3CG-S1	Ø15.0 mm	9.0~12.5 mm
MC3CG-S2	Ø15.0 mm	12.5~14.5 mm
MC3CG-S3	Ø17.5 mm	14.5~17.0 mm

QUANTIT	UNLESS OTH	MATERIAL SPECI	PROCESS SPECIF	NEXT ASSY.
	1) All dimension 2) Tolerances as 1 PL DEC +0.1 2 PL DEC +0.1 3 PL DEC +0.0			
	3) Note referen			

Looking for pricing, stock, or lifecycle information?

Click below to explore more details on WIN SOURCE:

-  [View MC3CG-S1 on WIN SOURCE](#)
-  [Amphenol Sine Systems Corp Information](#)

Optimize Your Supply Chain with WIN SOURCE Solutions

-  Global Sourcing Solution
-  Obsolete Management
-  Cost Control Management
-  Shortage Management
-  Alternative Solution
-  Excess Inventory Management