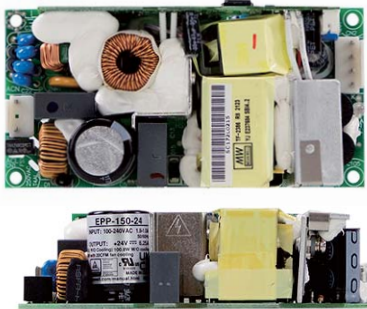




**THE DATASHEET OF
EPP-150-12**





■ Features :

- 4"x2" Compact size
- Universal AC input / Full range
- Built-in active PFC function
- High efficiency up to 93%
- Protections: Short circuit / Overload / Over voltage/ Over temperature
- 100W free air convection, 150W with 20CFM forced air
- LED indicator for power on
- No load power consumption<0.5W
- Built-in 12V/0.3A auxiliary output
- 3 years warranty



■ GTIN CODE

MW Search: <https://www.meanwell.com/serviceGTIN.aspx>

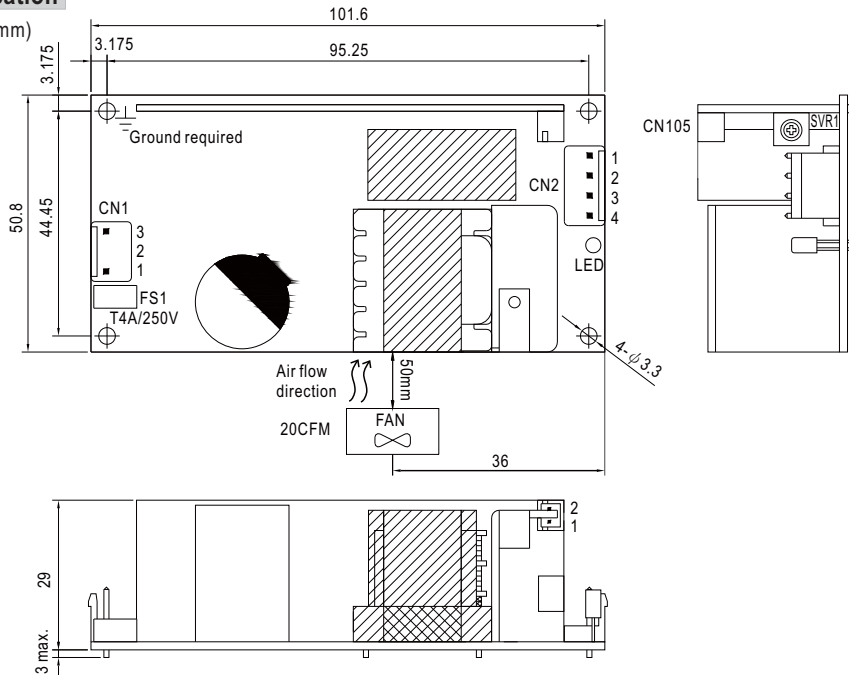


SPECIFICATION

| MODEL | EPP-150-12 | EPP-150-15 | EPP-150-24 | EPP-150-27 | EPP-150-48 | |
|-----------------------|---|---|---------------|-----------------------------|----------------|---------------|
| OUTPUT | DC VOLTAGE | 12V | 15V | 24V | 27V | 48V |
| | RATED CURRENT (convection) | 8.4A | 6.7A | 4.2A | 3.71A | 2.1A |
| | RATED CURRENT (20CFM FAN) | 12.5A | 10A | 6.25A | 5.56A | 3.125A |
| | CURRENT RANGE (convection) | 0 ~ 8.4A | 0 ~ 6.7A | 0 ~ 4.2A | 0 ~ 3.71A | 0 ~ 2.1A |
| | CURRENT RANGE (20CFM FAN) | 0 ~ 12.5A | 0 ~ 10A | 0 ~ 6.25A | 0 ~ 5.56A | 0 ~ 3.125A |
| | RATED POWER (convection) | 100.8W | 100.5W | 100.8W | 100.17W | 100.8W |
| | RATED POWER (20CFM FAN) | 150W | 150W | 150W | 150.12W | 150W |
| | RIPPLE & NOISE (max.) Note.2 | 130mVp-p | 150mVp-p | 240mVp-p | 240mVp-p | 300mVp-p |
| | VOLTAGE ADJ. RANGE | 11.76 ~ 12.6V | 14.7 ~ 15.75V | 23.52 ~ 25.2V | 26.46 ~ 28.35V | 47.04 ~ 50.4V |
| | VOLTAGE TOLERANCE Note.3 | ±2.0% | ±2.0% | ±1.0% | ±1.0% | ±1.0% |
| | LINE REGULATION | ±0.5% | ±0.5% | ±0.5% | ±0.5% | ±0.5% |
| | LOAD REGULATION | ±1.0% | ±1.0% | ±1.0% | ±1.0% | ±1.0% |
| SETUP, RISE TIME | 1000ms, 30ms/230VAC 2000ms, 30ms/115VAC at full load | | | | | |
| HOLD UP TIME (Typ.) | 16ms/230VAC 16ms/115VAC at full load | | | | | |
| INPUT | VOLTAGE RANGE Note.4 | 90 ~ 264VAC 127 ~ 370VDC | | | | |
| | FREQUENCY RANGE | 47 ~ 63Hz | | | | |
| | POWER FACTOR (Typ.) | PF>0.95/230VAC | | PF>0.98/115VAC at full load | | |
| | EFFICIENCY (Typ.) | 91.5% | 92% | 93% | 92% | 92% |
| | AC CURRENT (Typ.) | 1.8A/115VAC | | 1 A/230VAC | | |
| | INRUSH CURRENT (Typ.) | COLD START 70A/230VAC | | | | |
| LEAKAGE CURRENT | <2mA/240VAC | | | | | |
| PROTECTION | OVER LOAD | 105 ~ 145% rated output power Protection type : Hiccup mode, recovers automatically after fault condition is removed | | | | |
| | OVER VOLTAGE | 13.2 ~ 15.6V | 16.83 ~ 19.5V | 27.7 ~ 31.5V | 30.2 ~ 34.05V | 51.3 ~ 62.7V |
| | OVER TEMPERATURE | Protection type : Shut down o/p voltage, re-power on to recover | | | | |
| FUNCTION | AUXILIARY POWER(AUX) | 12V@0.3A for driving a fan, tolerance ± 10% at main output 100% load | | | | |
| ENVIRONMENT | WORKING TEMP. | -30 ~ +70°C (Refer to "Derating Curve") | | | | |
| | WORKING HUMIDITY | 20 ~ 90% RH non-condensing | | | | |
| | STORAGE TEMP., HUMIDITY | -40 ~ +85°C, 10 ~ 95% RH | | | | |
| | TEMP. COEFFICIENT | ±0.03%/°C (0 ~ 45°C) | | | | |
| | OPERATING ALTITUDE Note.5 | 2000 meters | | | | |
| SAFETY & EMC (Note 6) | VIBRATION | 10 ~ 500Hz, 2G 10min./1cycle, period for 60min. each along X, Y, Z axes | | | | |
| | SAFETY STANDARDS | UL62368-1, TUV BS EN/EN62368-1, EAC TP TC 004 approved | | | | |
| | WITHSTAND VOLTAGE | I/P-O/P:3KVAC I/P-FG:2KVAC O/P-FG:0.5KVAC | | | | |
| | ISOLATION RESISTANCE | I/P-O/P, I/P-FG, O/P-FG:100M Ohms / 500VDC / 500VDC / 25°C / 70% RH | | | | |
| | EMC EMISSION | Compliance to BS EN/EN55032 (CISPR32) Class B, BS EN/EN61000-3-2,-3, EAC TP TC 020 | | | | |
| OTHERS | EMC IMMUNITY | Compliance to BS EN/EN61000-4-2,3,4,5,6,8,11, BS EN/EN55035, heavy industry level, EAC TP TC 020 | | | | |
| | MTBF | 2002.2K hrs min. Telcordia SR-332 (Bellcore) ; 207.1K hrs min. MIL-HDBK-217F (25°C) | | | | |
| | DIMENSION | 101.6*50.8*29mm (L*W*H) | | | | |
| NOTE | PACKING | 0.2Kg; 72pcs/15.4Kg/0.82CUFT | | | | |
| | NOTE | <p>1. All parameters NOT specially mentioned are measured at 230VAC input, rated load and 25°C of ambient temperature.</p> <p>2. Ripple & noise are measured at 20MHz of bandwidth by using a 12" twisted pair-wire terminated with a 0.1 μ F & 47 μ F parallel capacitor.</p> <p>3. Tolerance : includes set up tolerance, line regulation and load regulation.</p> <p>4. Derating may be needed under low input voltages. Please check the derating curve for more details.</p> <p>5. The ambient temperature derating of 3.5°C/1000m with fanless models and of 5°C/1000m with fan models for operating altitude higher than 2000m(6500ft).</p> <p>6. The power supply is considered a component which will be installed into a final equipment. All the EMC tests are been executed by mounting the unit on a 360mm*360mm metal plate with 1mm of thickness. The final equipment must be re-confirmed that it still meets EMC directives. For guidance on how to perform these EMC tests, please refer to "EMI testing of component power supplies." (as available on https://www.meanwell.com/Upload/PDF/EMI_statement_en.pdf)</p> <p>※ Product Liability Disclaimer : For detailed information, please refer to https://www.meanwell.com/serviceDisclaimer.aspx</p> | | | | |

Mechanical Specification

(Unit: mm , tolerance ± 1 mm)



AC Input Connector (CN1) : JST B3P-VH or equivalent

| Pin No. | Assignment | Mating Housing | Terminal |
|---------|------------|-----------------------|--------------------------------|
| 1 | AC/L | JST VHR or equivalent | JST SVH-21T-P1.1 or equivalent |
| 2 | No Pin | | |
| 3 | AC/N | | |

\oplus : Grounding required

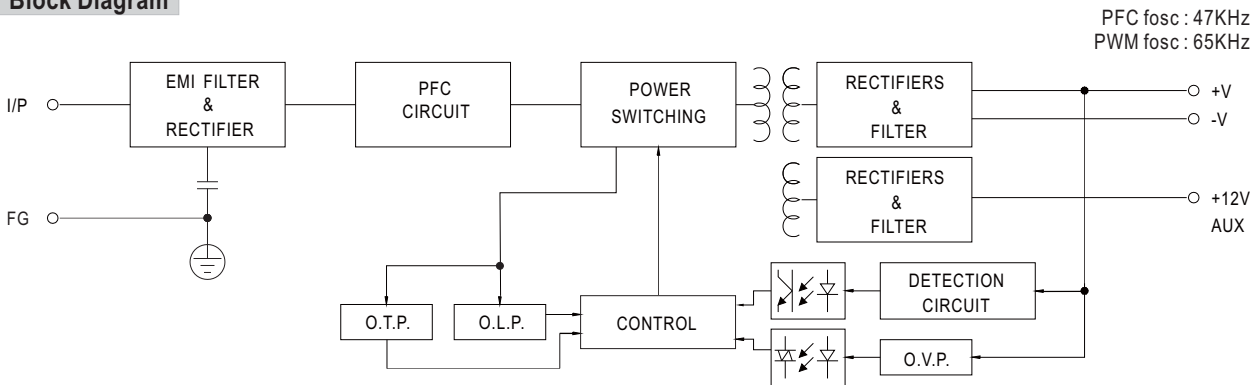
DC Output Connector (CN2) : JST B4P-VH or equivalent

| Pin No. | Assignment | Mating Housing | Terminal |
|---------|------------|-----------------------|--------------------------------|
| 1,2 | DC COM | JST VHR or equivalent | JST SVH-21T-P1.1 or equivalent |
| 3,4 | +V | | |

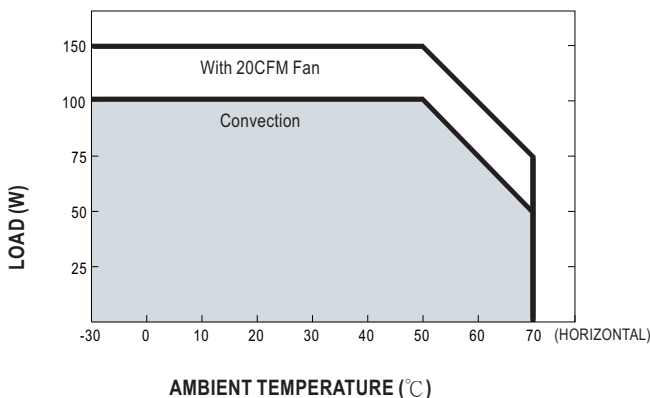
FAN Connector(CN105) : JST B2B-PH-K-S or equivalent

| Pin No. | Assignment | Mating Housing | Terminal |
|---------|------------|-------------------------|----------------------------------|
| 1 | DC COM | JST PHR-2 or equivalent | JST SPH-002T-P0.5S or equivalent |
| 2 | +12V | | |

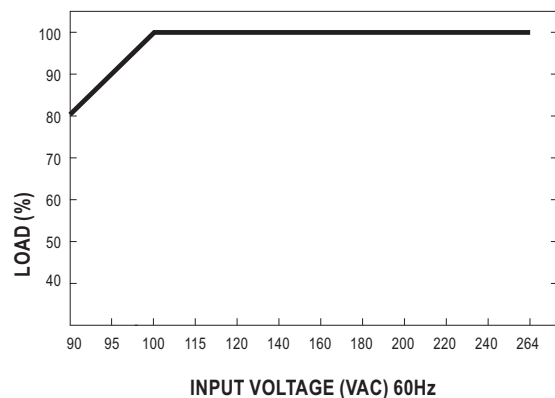
Block Diagram



Output Derating



Output Derating VS Input Voltage



Looking for pricing, stock, or lifecycle information?

Click below to explore more details on WIN SOURCE:

- ⊖ [View EPP-150-12 on WIN SOURCE](#)
- ⊖ [Mean Well Enterprises Co., Ltd. Information](#)

Optimize Your Supply Chain with WIN SOURCE Solutions

- ✓ Global Sourcing Solution
- ✓ Obsolete Management
- ✓ Cost Control Management
- ✓ Shortage Management
- ✓ Alternative Solution
- ✓ Excess Inventory Management