



THE DATASHEET OF
09692100633




Number of contacts

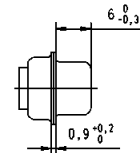
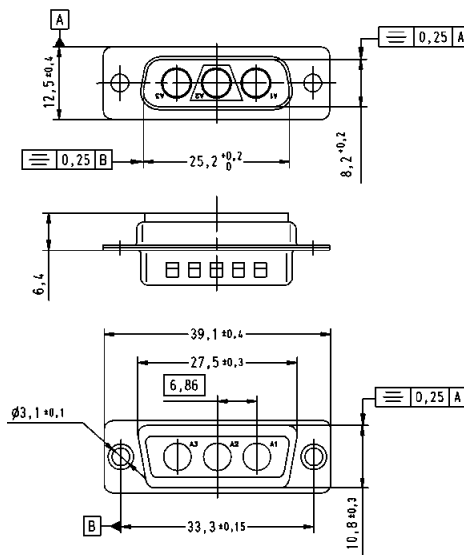
3



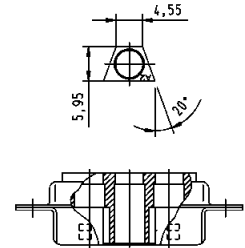
Coded shells without signal contacts for cable applications

Identification	No. of contacts ¹⁾	Part number	
		male connector	female connector
	3W3C	09 69 210 0633	09 69 200 0633

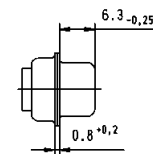
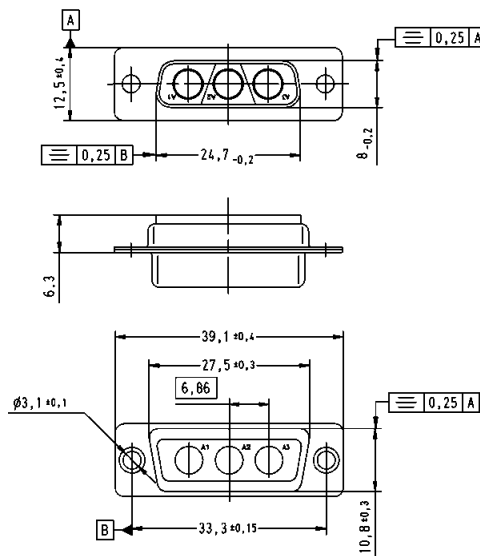
Male connectors



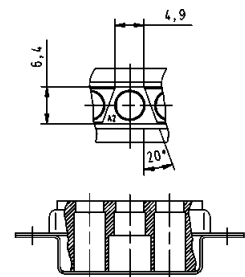
detail:
polarization feature



Female connectors



detail:
polarization feature



Dimensions in mm

¹⁾ Explanations see page 05.51
Board drillings see pages 05.78 ff
Order special contacts separately. See pages 05.69 ff

Looking for pricing, stock, or lifecycle information?

Click below to explore more details on WIN SOURCE:

 [View 09692100633](#) on WIN SOURCE

 [HARTING](#) Information

Optimize Your Supply Chain with WIN SOURCE Solutions

-  Global Sourcing Solution
-  Obsolete Management
-  Cost Control Management
-  Shortage Management
-  Alternative Solution
-  Excess Inventory Management