



**THE DATASHEET OF  
PV3F2B0SS-341**

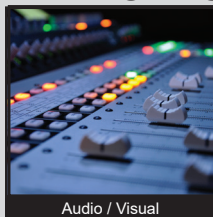


# PV3 SERIES ANTI-VANDAL SWITCH

ANTI-VANDAL SWITCHES  
DETECTOR SWITCHES  
DIP SWITCHES  
KEYLOCK SWITCHES  
NAVIGATION SWITCHES  
PUSHBUTTON SWITCHES  
ROCKER SWITCHES  
ROTARY SWITCHES  
SLIDE SWITCHES  
SNAP ACTION SWITCHES  
TACTILE SWITCHES  
TOGGLE SWITCHES  
CAP OPTIONS



## APPLICATIONS / MARKETS



## SPECIFICATIONS

**Electrical Rating:** 2A, 48VDC  
**Mechanical Life:** 200,000 Cycles  
**Electrical Life:** 50,000 Cycles  
**Contact Resistance:** 50mΩ Max.  
**Insulation Resistance:** 1000MΩ Max.  
**Operating/Storage Temperature:** -40°C to 85°C  
**Travel:** 2.80mm  
**Moisture Protection:** IP40 (PV3,PV3S) & IP67 (PV3W, PV3SW)  
**Contact Arrangement:** SPDT & DPDT  
**Actuation Force:** 4 N  
**Panel Thickness:** 1-8mm  
**Mounting Nut Torque:** 0.6Nm

## FEATURES & BENEFITS

- 16mm diameter panel cutout
- Dot and ring illumination options
- Multiple actuator options
- Non-sealed and seal option configurable
- SPDT & DPDT
- Soldered wire leads (300mm long) optional

## PART NUMBER CONFIGURATOR

Series	Actuator Options	Terminal Options	Function Options	Rating Options	Body Finish Options	Actuator Finish Options	Contact Material Options	Lens Style Options	Lens Color Options	Illumination Voltage Options
<input type="checkbox"/> <b>PV3</b> - Non Water-Resistant Version: Long Body <input type="checkbox"/> <b>PV3S</b> - Non Water-Resistant Version: Short Body Non-Illuminated only <input type="checkbox"/> <b>PV3W</b> - Water-Resistant Version: Long Body <input type="checkbox"/> <b>PV3SW</b> - Water-Resistant Version: Short Body Non-Illuminated only	<input type="checkbox"/> <b>F</b> - Flat <input type="checkbox"/> <b>H</b> - High <input type="checkbox"/> <b>G</b> - Guarded Concave	<input type="checkbox"/> <b>2</b> - Solder Leads <input type="checkbox"/> <b>W</b> - Wire 300mm	<input type="checkbox"/> <b>B</b> - 1 Pole On - (On)* <input type="checkbox"/> <b>H</b> - 2 Pole On - (On)*	<input type="checkbox"/> <b>0</b> - 2A, 48VDC	<input type="checkbox"/> <b>1</b> - Black Anodized <input type="checkbox"/> <b>N</b> - Nickel <input type="checkbox"/> <b>B</b> - Brushed Stainless <input type="checkbox"/> <b>S</b> - Polished Stainless	<input type="checkbox"/> <b>0</b> - Clear/Aluminum <input type="checkbox"/> <b>1</b> - Black Anodized <input type="checkbox"/> <b>7</b> - Blue <input type="checkbox"/> <b>8</b> - Green <input type="checkbox"/> <b>9</b> - Red <input type="checkbox"/> <b>N</b> - Nickel <input type="checkbox"/> <b>B</b> - Brushed Stainless <input type="checkbox"/> <b>S</b> - Polished Stainless	<input type="checkbox"/> <b>NONE</b> - Silver <input type="checkbox"/> <b>G</b> - Gold	<input type="checkbox"/> <b>NONE</b> - Non-Illuminated <input type="checkbox"/> <b>2</b> - Dot Illumination <input type="checkbox"/> <b>3</b> - Ring Illumination	<input type="checkbox"/> <b>NONE</b> - Non-Illuminated <input type="checkbox"/> <b>0</b> - White <input type="checkbox"/> <b>1</b> - Red <input type="checkbox"/> <b>2</b> - Orange <input type="checkbox"/> <b>3</b> - Green <input type="checkbox"/> <b>4</b> - Blue <input type="checkbox"/> <b>5</b> - Yellow	<input type="checkbox"/> <b>NONE</b> - Non-Illuminated <input type="checkbox"/> <b>1</b> - Base Voltage <sup>†</sup> <input type="checkbox"/> <b>3</b> - 6V <input type="checkbox"/> <b>4</b> - 12V <input type="checkbox"/> <b>5</b> - 24V <input type="checkbox"/> <b>6</b> - 125V

### NOTES:

\* ( ) denotes function is momentary  
<sup>†</sup> Base voltage for LED colors red, yellow, and orange is 1.8V @ 20mA  
<sup>‡</sup> Base voltage for LED colors blue, green and white is 2.8V @ 20mA

Specifications subject to change without notice 8.28.2025



**E-SWITCH®**

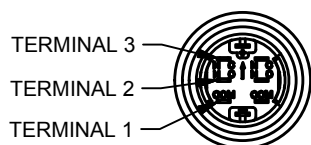
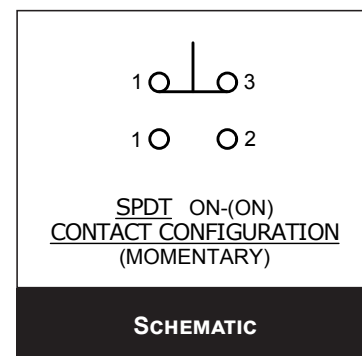
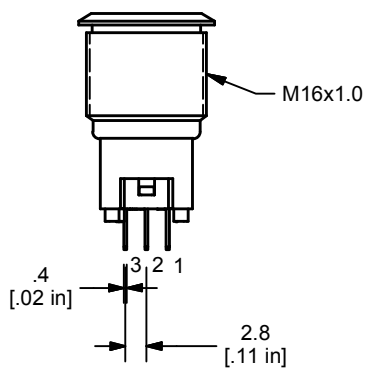
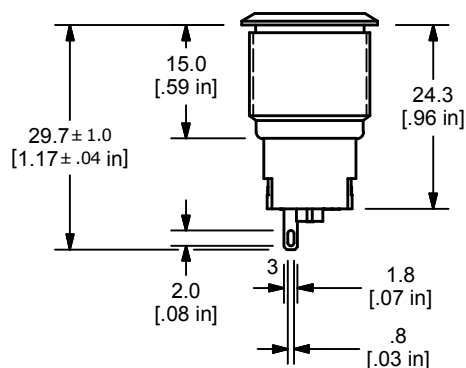
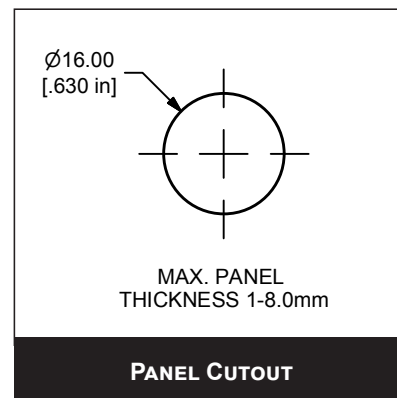
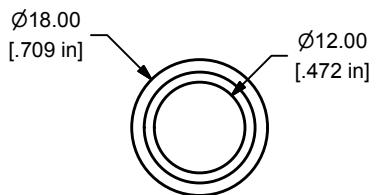
www.e-switch.com

800.867.2717

1

# PV3 SERIES ANTI-VANDAL SWITCH

## BODY DIMENSIONS



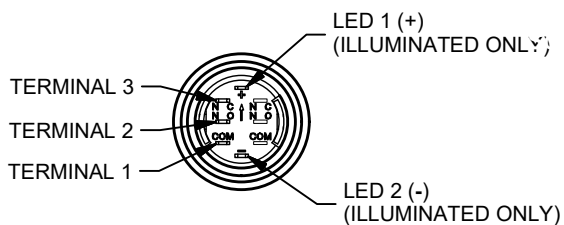
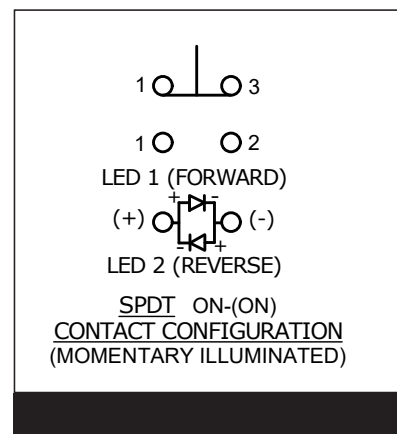
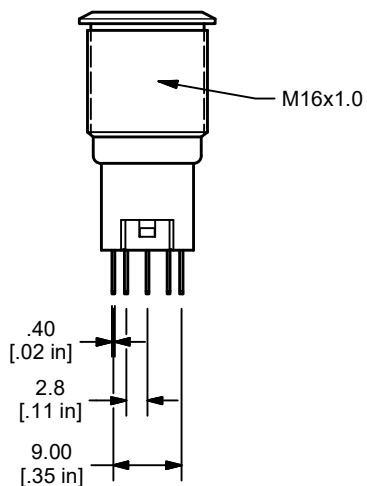
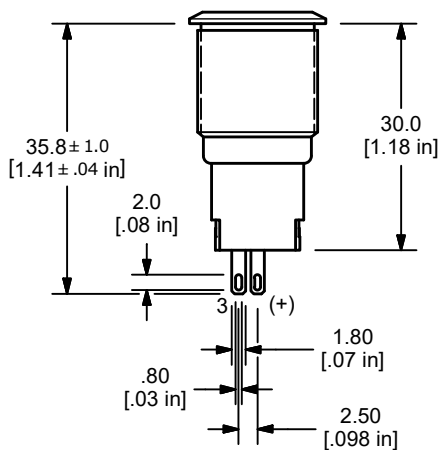
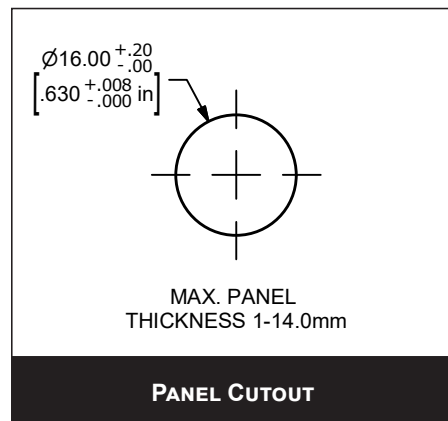
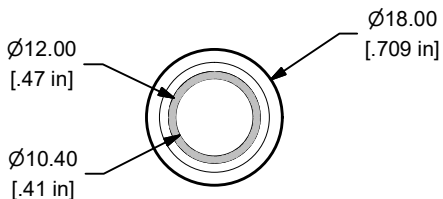
SHORT BODY



# PV3 SERIES ANTI-VANDAL SWITCH

## BODY DIMENSIONS

- ANTI-VANDAL SWITCHES
- DETECTOR SWITCHES
- DIP SWITCHES
- KEYLOCK SWITCHES
- NAVIGATION SWITCHES
- PUSHBUTTON SWITCHES
- ROCKER SWITCHES
- ROTARY SWITCHES
- SLIDE SWITCHES
- SNAP ACTION SWITCHES
- TACTILE SWITCHES
- TOGGLE SWITCHES
- CAP OPTIONS

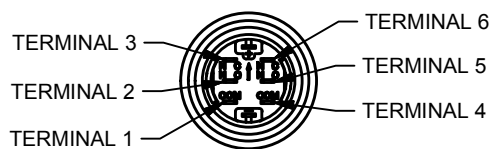
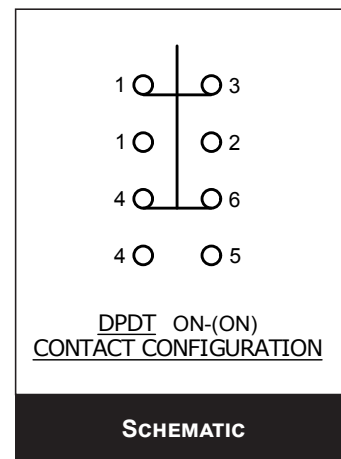
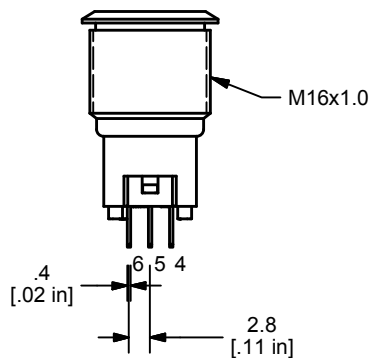
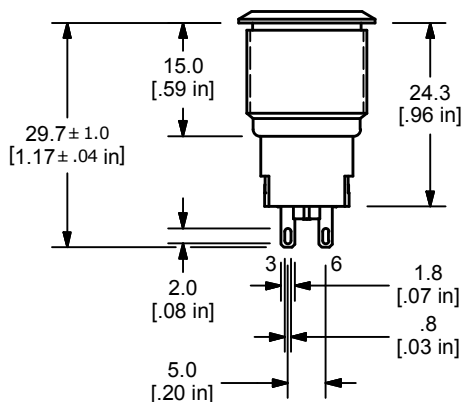
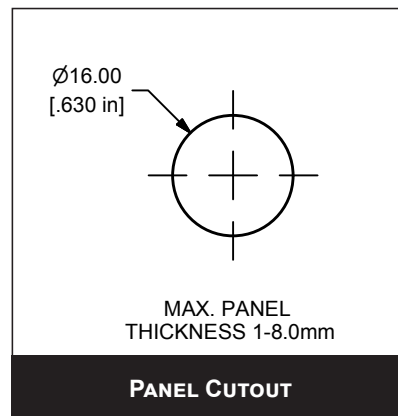
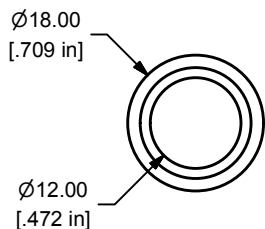


LONG BODY



# PV3 SERIES ANTI-VANDAL SWITCH

## BODY DIMENSIONS

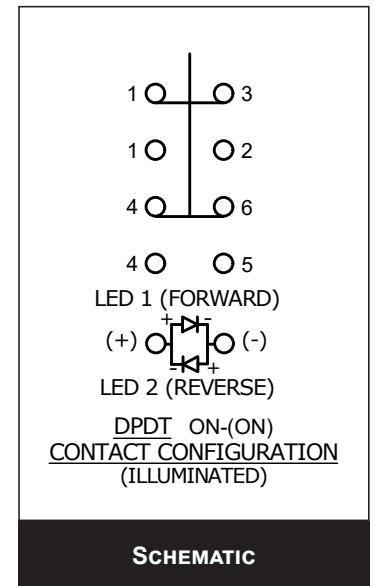
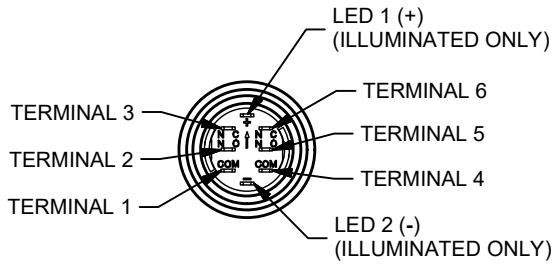
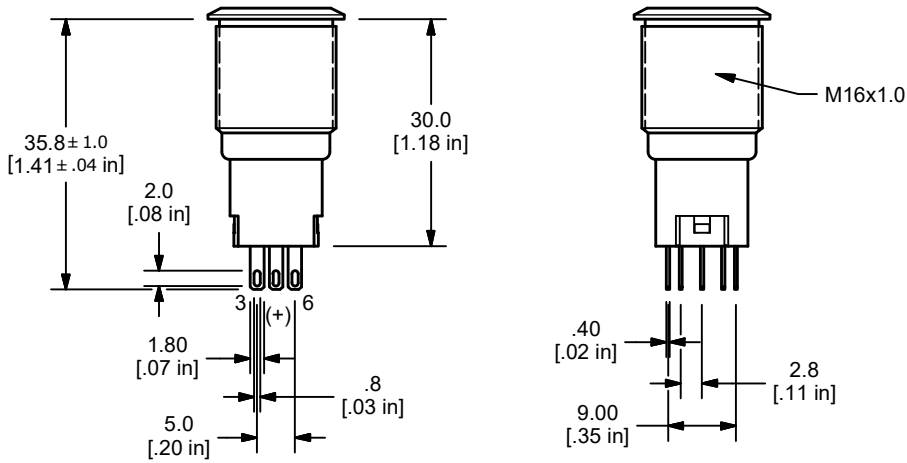
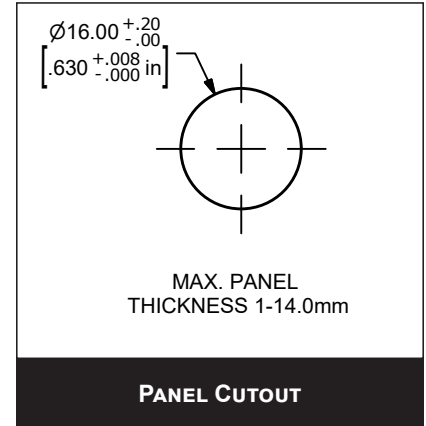
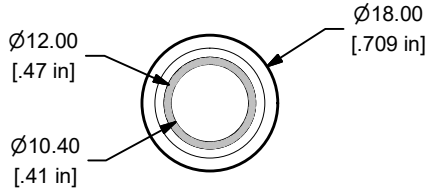


SHORT BODY



# PV3 SERIES ANTI-VANDAL SWITCH

## BODY DIMENSIONS

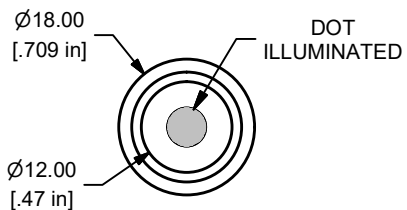


LONG BODY

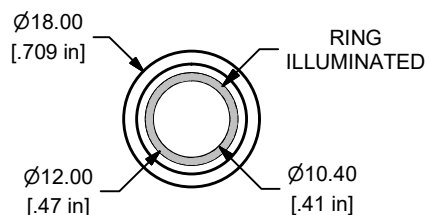


# PV3 SERIES ANTI-VANDAL SWITCH

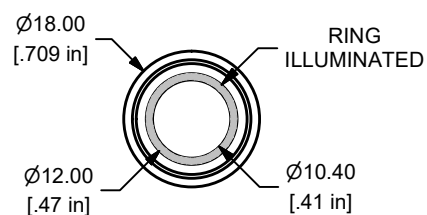
## ILLUMINATION OPTIONS



**DOT ILLUMINATED**

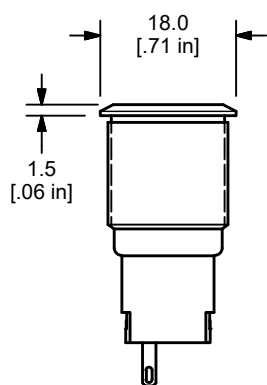
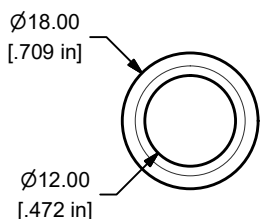


**RING ILLUMINATED**

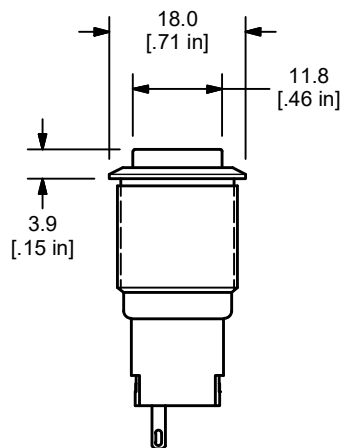
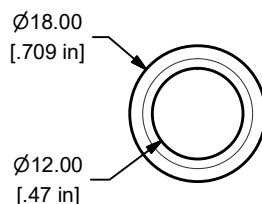


**RING ILLUMINATED  
WITH GUARDED CONCAVE ACTUATOR**

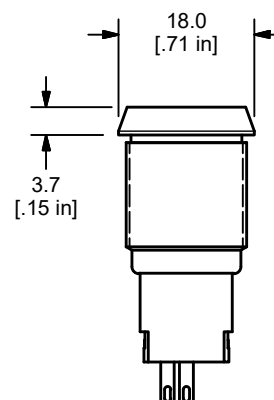
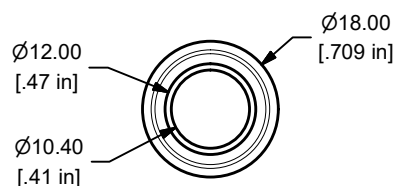
## ACTUATOR OPTIONS



**FLAT ACTUATOR**



**HIGH ACTUATOR**



**GUARDED CONCAVE**

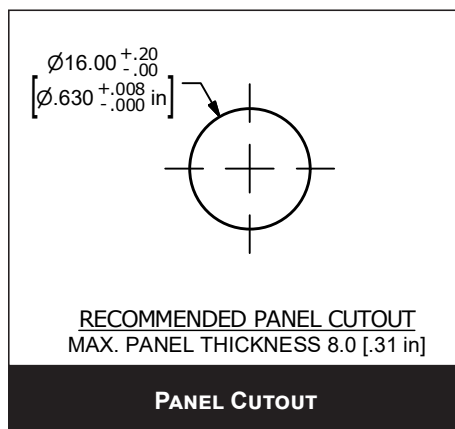
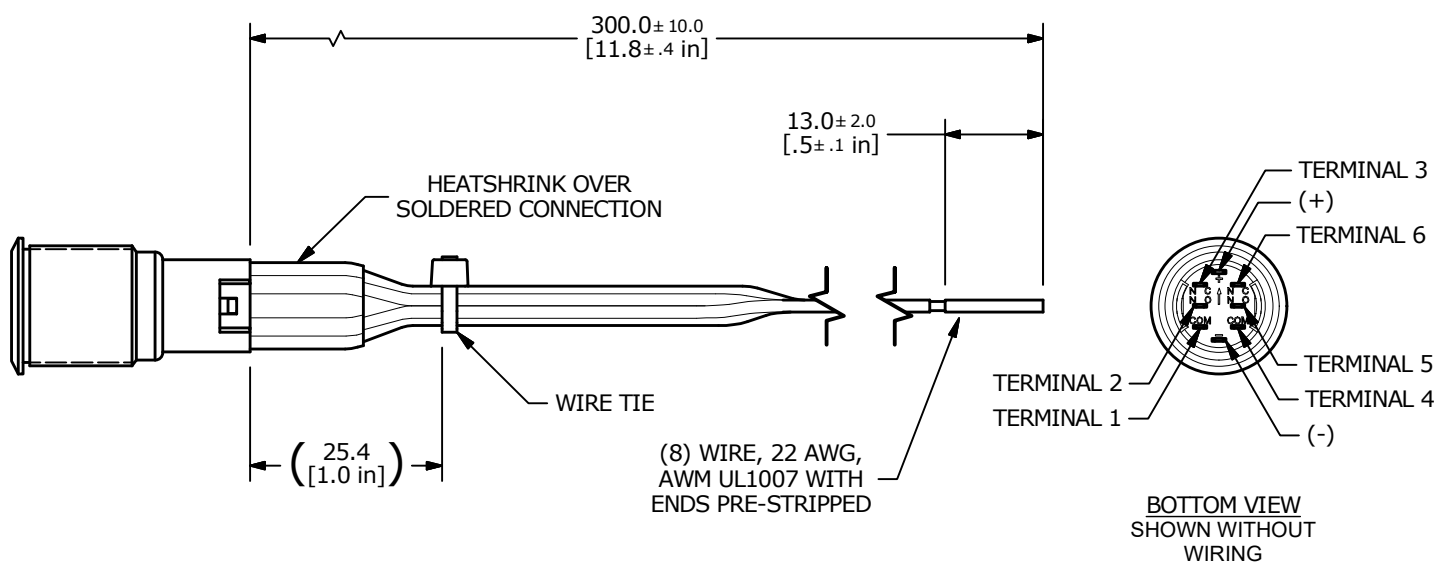


# PV3 SERIES ANTI-VANDAL SWITCH

## STANDARD LED WIRE LEAD

SWITCH	WIRE	LENGTH
SW1-1	WIRE, 22AWG AWM UL1007, YELLOW	300.0 [11.8 in]
SW1-2	WIRE, 22AWG AWM UL1007, BLUE	300.0 [11.8 in]
SW1-3	WIRE, 22AWG AWM UL1007, GREEN	300.0 [11.8 in]
SW1-4	WIRE, 22AWG AWM UL1007, PURPLE	300.0 [11.8 in]
SW1-5	WIRE, 22AWG AWM UL1007, ORANGE	300.0 [11.8 in]
SW1-6	WIRE, 22AWG AWM UL1007, WHITE	300.0 [11.8 in]
SW1- (+)	WIRE, 22AWG AWM UL1007, RED	300.0 [11.8 in]
SW1- (-)	WIRE, 22AWG AWM UL1007, BLACK	300.0 [11.8 in]

\*\* WIRE LEADS PROVIDED ARE DEPENDANT ON THE FUNCTION AND/OR ILLUMINATION SELECTED \*\*



## Looking for pricing, stock, or lifecycle information?

Click below to explore more details on WIN SOURCE:

 [View PV3F2B0SS-341 on WIN SOURCE](#)

 [E-SWITCH](#) Information

## Optimize Your Supply Chain with WIN SOURCE Solutions

-  Global Sourcing Solution
-  Obsolete Management
-  Cost Control Management
-  Shortage Management
-  Alternative Solution
-  Excess Inventory Management