



**THE DATASHEET OF
GW PSLRS1.PC-LTMP-5H7I-1-150-R18**



GW PSLRS1.PC



The compact, mid-power DURIS S 5 LED address es three different luminous flux levels, using just one package and solder pad. With high efficacies, color quality and long lifetimes it is the ideal choice for all indoor General Lighting applications.

Features:

- **Package:** white SMT package, colored diffused silicone resin
- **Viewing angle at 50 % I_V:** 120°
- **Color:** 3000 K - 6500 K (white)
- **CRI:** min. 70 (typ. 72)
- **Luminous Flux:** typ. 138 lm @ 5000 K
- **Luminous efficacy:** typ. 151 lm/W @ 5000 K

Applications

- Indoor General Lighting
- Industrial lighting
- Linear lights
- Professional downlights
- Retrofits and fixtures

The compact, mid-power DURIS S 5 LED address es three different luminous flux levels, using just one package and solder pad. With high efficacies, color quality and long lifetimes it is the ideal choice for all indoor General Lighting applications.

Besondere Merkmale:

- **Gehäusotyp:** weißes SMT Gehäuse, farbiger diffuser Silikon-Verguss
- **Abstrahlwinkel bei 50 % I_V:** 120°
- **Farbe:** 3000 K - 6500 K (weiß)
- **CRI:** min. 70 (typ. 72)
- **Lichtstrom:** typ. 138 lm @ 5000 K
- **Lichtausbeute:** typ. 151 lm/W @ 5000 K

Anwendungen

- Innen-Allgemeinbeleuchtung
- Industriebeleuchtung
- Linearbeleuchtung
- Professionelle Downlights
- Retrofits

Ordering Information
Bestellinformation

| Type: | Color Temperature | Luminous Flux 1) page 24 | Ordering Code |
|--------------------------|-------------------|---|---------------|
| Typ: | Farbtemperatur | Lichtstrom 1) Seite 24 | Bestellnummer |
| | [K] | $I_F = 150 \text{ mA}$ $\Phi_V \text{ [lm]}$ | |
| GW PSLRS1.PC-LQLS-5R8T-1 | 3000 | 121 ... 150 | Q65111A6776 |
| GW PSLRS1.PC-LRLT-5R8T-1 | 3000 | 130 ... 164 | Q65111A6763 |
| GW PSLRS1.PC-LQLS-5O8Q-1 | 3500 | 121 ... 150 | Q65111A6767 |
| GW PSLRS1.PC-LRLT-5L7N-1 | 4000 | 130 ... 164 | Q65111A7645 |
| GW PSLRS1.PC-LQLS-5L7N-1 | 4000 | 121 ... 150 | Q65111A6768 |
| GW PSLRS1.PC-LQLS-5J7K-1 | 4500 | 121 ... 150 | Q65111A6769 |
| GW PSLRS1.PC-LRLT-5H7I-1 | 5000 | 130 ... 164 | Q65111A6762 |
| GW PSLRS1.PC-LRLT-5F7G-1 | 5700 | 130 ... 164 | Q65111A6771 |
| GW PSLRS1.PC-LRLT-5C7E-1 | 6500 | 130 ... 164 | Q65111A6773 |
| GW PSLRS1.PC-LSLU-5C7E-1 | 6500 | 140 ... 180 | Q65111A6772 |

Note: The above Type Numbers represent the order groups which include only a few brightness groups (see page 5). Only one group will be shipped on each packing unit (there will be no mixing of two groups on each packing unit). E. g. GW PSLRS1.PC-LRLT-5R8T-1 means that only one group LR, LS, LT will be shippable for any packing unit.

In a similar manner for colors where color chromaticity coordinate groups are measured and binned, single groups will be shipped on any one packing unit. GW PSLRS1.PC-LRLT-5R8T-1 means that the device will be shipped within the specified limits.

In a similar manner for colors where forward voltage groups are measured and binned, single forward voltage groups will be shipped on any one packing unit. E. g. GW PSLRS1.PC-LRLT-5R8T-1 means that only one forward voltage group B,C,D,E,F will be shippable.

Anm.: Die oben genannten Typbezeichnungen umfassen die bestellbaren Selektionen. Diese bestehen aus wenigen Helligkeitsgruppen (siehe Seite 5). Es wird nur eine einzige Helligkeitsgruppe pro Verpackungseinheit geliefert. Z. B. GW PSLRS1.PC-LRLT-5R8T-1 bedeutet, dass in einer Verpackungseinheit nur eine der Helligkeitsgruppen LR, LS, LT enthalten ist.

Gleiches gilt für die Farben, bei denen Farbortgruppen gemessen und gruppiert werden. Pro Verpackungseinheit wird nur eine Farbortgruppe geliefert. Z.B. GW PSLRS1.PC-LRLT-5R8T-1 bedeutet, dass in einer Verpackungseinheit nur eine der Farbortgruppen enthalten ist. GW PSLRS1.PC-LRLT-5R8T-1 bedeutet, dass das Bauteil innerhalb der spezifizierten Grenzen geliefert wird.

Gleiches gilt für die LEDs, bei denen die Durchlassspannungsgruppen gemessen und gruppiert werden. Pro Verpackungseinheit wird nur eine Durchlassspannungsgruppe geliefert. Z. B. GW PSLRS1.PC-LRLT-5R8T-1 bedeutet, dass nach Durchlassspannungsgruppen gruppiert wird. In einer Verpackungseinheit ist nur eine der Durchlassspannungsgruppen B,C,D,E,F enthalten (siehe Seite 5).

Maximum Ratings**Grenzwerte**

| Parameter Bezeichnung | Symbol Symbol | Values Werte | Unit Einheit |
|---|------------------|-----------------|-----------------|
| Operating temperature range Betriebstemperatur | T_{op} | -40 ... 100 | °C |
| Storage temperature range Lagertemperatur | T_{stg} | -40 ... 125 | °C |
| Junction temperature Sperrschichttemperatur | T_j | 125 | °C |
| Forward current Durchlassstrom ($T_S = 25\text{ °C}$) | I_F | 10 ... 200 | mA |
| Surge current Stoßstrom ($t \leq 10\ \mu\text{s}$; $D = 0.005$; $T_S = 25\text{ °C}$) | I_{FM} | 300 | mA |
| Reverse current ^{2) page 24} Sperrstrom ^{2) Seite 24} | I_R | 20 | mA |
| ESD withstand voltage ESD Festigkeit (acc. to ANSI/ESDA/JEDEC JS-001 - HBM) | V_{ESD} | up to 5 | kV |

Characteristics ($T_S = 25\text{ °C}$; $I_F = 150\text{ mA}$)**Kennwerte**

| Parameter Bezeichnung | Symbol Symbol | Values Werte | Unit Einheit |
|--|--------------------|-----------------|-----------------|
| Viewing angle at 50 % I_V Abstrahlwinkel bei 50 % I_V (typ.) | 2ϕ | 120 | ° |
| Forward voltage ^{3) page 24} Durchlassspannung ^{3) Seite 24} (min.) | V_F | 5.60 | V |
| (typ.) | V_F | 6.10 | V |
| (max.) | V_F | 6.60 | V |
| Reverse voltage Sperrspannung ($I_R = 20\text{ mA}$) (max.) | V_R | 1.2 | V |
| Color rendering index ^{4) page 24} Farbwiedergabe Index ^{4) Seite 24} (typ.) | R_a | 72 | - |
| (3000K - 6500K) (min.) | R_a | 70 | - |
| Real thermal resistance junction / solder point ^{5) page 24} (typ.) | $R_{th\ JS\ real}$ | 11 | K/W |
| Realer Wärmewiderstand Sperrschicht / Lötpad ^{5) Seite 24} | | | |
| "Electrical" thermal resistance junction / solder point ^{5) page 24} (typ.) | $R_{th\ JS\ el}$ | 7.7 | K/W |
| "Elektrischer" Wärmewiderstand Sperrschicht / Lötpad ^{5) Seite 24} (with efficiency $\eta_e = 30\%$) | | | |

Note: Individual forward voltage groups see next page

Anm.: Durchlassspannungsgruppen siehe nächste Seite

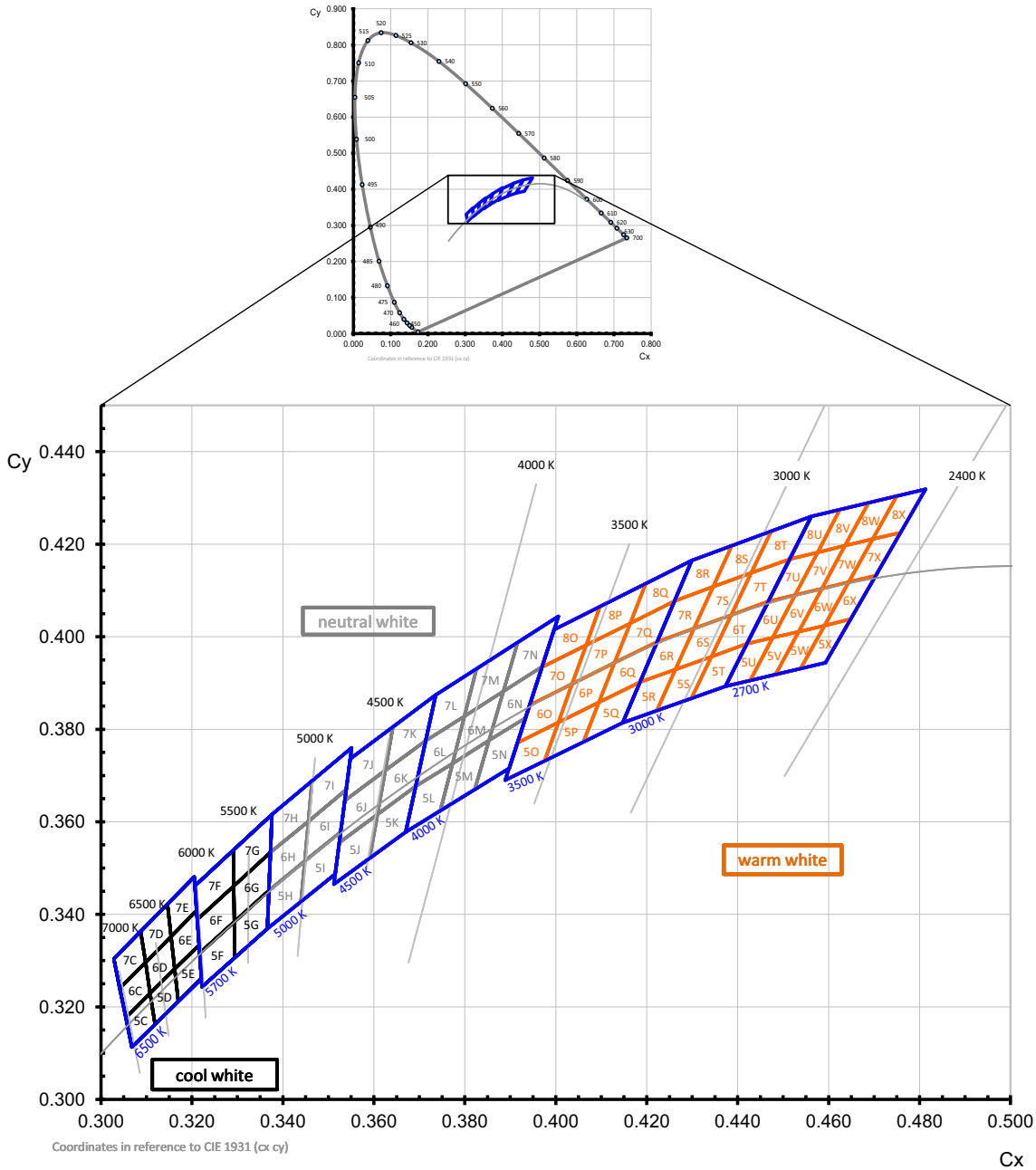
Brightness Groups
Helligkeitsgruppen

| Group | Luminous Flux ^{1) page 24} | Luminous Flux ^{1) page 24} | Luminous Intensity ^{6) page 24} |
|---------------|--|--|--|
| Gruppe | Lichtstrom ^{1) Seite 24} (min.) Φ_V [lm] | Lichtstrom ^{1) Seite 24} (max.) Φ_V [lm] | Lichtstärke ^{6) Seite 24} (typ.) I_V [cd] |
| LQ | 121 | 130 | 42.7 |
| LR | 130 | 140 | 45.9 |
| LS | 140 | 150 | 49.3 |
| LT | 150 | 164 | 53.4 |
| LU | 164 | 180 | 58.5 |

Forward Voltage Groups ^{3) page 24}
Durchlassspannungsgruppen ^{3) Seite 24}

| Group | | |
|---------------|------------------------------------|------------------------------------|
| Gruppe | (min.) V_F [V] | (max.) V_F [V] |
| B | 5.60 | 5.80 |
| C | 5.80 | 6.00 |
| D | 6.00 | 6.20 |
| E | 6.20 | 6.40 |
| F | 6.40 | 6.60 |

Chromaticity Coordinate Groups ⁷⁾ page 24
 Farbortgruppen ⁷⁾ Seite 24



Color Chromaticity Groups ^{7) page 24}
Farbortgruppen ^{7) Seite 24}

| Group Gruppe | Cx | Cy | Group Gruppe | Cx | Cy | Group Gruppe | Cx | Cy |
|--------------|--------|--------|--------------|--------|--------|--------------|--------|--------|
| 5C | 0.3055 | 0.3177 | 7I | 0.3456 | 0.3601 | 5P | 0.3975 | 0.3731 |
| | 0.3068 | 0.3113 | | 0.3464 | 0.3688 | | 0.4006 | 0.3815 |
| | 0.3108 | 0.3229 | | 0.3539 | 0.3669 | | 0.4061 | 0.3773 |
| | 0.3119 | 0.3162 | | 0.3551 | 0.3760 | | 0.4095 | 0.3858 |
| 6C | 0.3041 | 0.3240 | 5J | 0.3512 | 0.3465 | 6P | 0.4006 | 0.3815 |
| | 0.3055 | 0.3177 | | 0.3524 | 0.3555 | | 0.4036 | 0.3898 |
| | 0.3098 | 0.3296 | | 0.3591 | 0.3522 | | 0.4095 | 0.3858 |
| | 0.3108 | 0.3229 | | 0.3608 | 0.3616 | | 0.4130 | 0.3944 |
| 7C | 0.3028 | 0.3304 | 6J | 0.3524 | 0.3555 | 7P | 0.4036 | 0.3898 |
| | 0.3041 | 0.3240 | | 0.3536 | 0.3646 | | 0.4067 | 0.3982 |
| | 0.3087 | 0.3363 | | 0.3608 | 0.3616 | | 0.4130 | 0.3944 |
| | 0.3098 | 0.3296 | | 0.3625 | 0.3711 | | 0.4164 | 0.4029 |
| 5D | 0.3108 | 0.3229 | 7J | 0.3536 | 0.3646 | 8P | 0.4067 | 0.3982 |
| | 0.3119 | 0.3162 | | 0.3548 | 0.3736 | | 0.4097 | 0.4065 |
| | 0.3162 | 0.3282 | | 0.3625 | 0.3711 | | 0.4164 | 0.4029 |
| | 0.3170 | 0.3212 | | 0.3642 | 0.3805 | | 0.4198 | 0.4115 |
| 6D | 0.3098 | 0.3296 | 5K | 0.3591 | 0.3522 | 5Q | 0.4061 | 0.3773 |
| | 0.3108 | 0.3229 | | 0.3608 | 0.3616 | | 0.4095 | 0.3858 |
| | 0.3154 | 0.3352 | | 0.3670 | 0.3578 | | 0.4147 | 0.3814 |
| | 0.3162 | 0.3282 | | 0.3692 | 0.3677 | | 0.4185 | 0.3902 |
| 7D | 0.3087 | 0.3363 | 6K | 0.3608 | 0.3616 | 6Q | 0.4095 | 0.3858 |
| | 0.3098 | 0.3296 | | 0.3625 | 0.3711 | | 0.4130 | 0.3944 |
| | 0.3146 | 0.3422 | | 0.3692 | 0.3677 | | 0.4185 | 0.3902 |
| | 0.3154 | 0.3352 | | 0.3714 | 0.3775 | | 0.4223 | 0.3990 |
| 5E | 0.3162 | 0.3282 | 7K | 0.3625 | 0.3711 | 7Q | 0.4130 | 0.3944 |
| | 0.3170 | 0.3212 | | 0.3642 | 0.3805 | | 0.4164 | 0.4029 |
| | 0.3216 | 0.3334 | | 0.3714 | 0.3775 | | 0.4223 | 0.3990 |
| | 0.3221 | 0.3262 | | 0.3736 | 0.3874 | | 0.4261 | 0.4077 |

| Group Gruppe | Cx | Cy | Group Gruppe | Cx | Cy | Group Gruppe | Cx | Cy |
|-----------------|--------|--------|-----------------|--------|--------|-----------------|--------|--------|
| 6E | 0.3154 | 0.3352 | 5L | 0.3670 | 0.3578 | 8Q | 0.4164 | 0.4029 |
| | 0.3162 | 0.3282 | | 0.3692 | 0.3677 | | 0.4198 | 0.4115 |
| | 0.3210 | 0.3408 | | 0.3746 | 0.3624 | | 0.4261 | 0.4077 |
| | 0.3216 | 0.3334 | | 0.3773 | 0.3726 | | 0.4299 | 0.4165 |
| 7E | 0.3146 | 0.3422 | 6L | 0.3692 | 0.3677 | 5R | 0.4147 | 0.3814 |
| | 0.3154 | 0.3352 | | 0.3714 | 0.3775 | | 0.4185 | 0.3902 |
| | 0.3205 | 0.3481 | | 0.3773 | 0.3726 | | 0.4222 | 0.3840 |
| | 0.3210 | 0.3408 | | 0.3799 | 0.3828 | | 0.4263 | 0.3929 |
| 5F | 0.3217 | 0.3316 | 7L | 0.3714 | 0.3775 | 6R | 0.4185 | 0.3902 |
| | 0.3222 | 0.3243 | | 0.3736 | 0.3874 | | 0.4223 | 0.3990 |
| | 0.3293 | 0.3384 | | 0.3799 | 0.3828 | | 0.4263 | 0.3929 |
| | 0.3294 | 0.3306 | | 0.3826 | 0.3931 | | 0.4305 | 0.4019 |
| 6F | 0.3212 | 0.3389 | 5M | 0.3746 | 0.3624 | 7R | 0.4223 | 0.3990 |
| | 0.3217 | 0.3316 | | 0.3773 | 0.3726 | | 0.4261 | 0.4077 |
| | 0.3292 | 0.3461 | | 0.3822 | 0.3670 | | 0.4305 | 0.4019 |
| | 0.3293 | 0.3384 | | 0.3853 | 0.3776 | | 0.4346 | 0.4108 |
| 7F | 0.3206 | 0.3462 | 6M | 0.3773 | 0.3726 | 8R | 0.4261 | 0.4077 |
| | 0.3212 | 0.3389 | | 0.3799 | 0.3828 | | 0.4299 | 0.4165 |
| | 0.3292 | 0.3461 | | 0.3853 | 0.3776 | | 0.4346 | 0.4108 |
| | 0.3292 | 0.3539 | | 0.3885 | 0.3882 | | 0.4387 | 0.4197 |
| 5G | 0.3293 | 0.3384 | 7M | 0.3799 | 0.3828 | 5S | 0.4222 | 0.3840 |
| | 0.3294 | 0.3306 | | 0.3826 | 0.3931 | | 0.4263 | 0.3929 |
| | 0.3366 | 0.3369 | | 0.3885 | 0.3882 | | 0.4298 | 0.3867 |
| | 0.3369 | 0.3451 | | 0.3916 | 0.3987 | | 0.4342 | 0.3957 |
| 6G | 0.3292 | 0.3461 | 5N | 0.3822 | 0.3670 | 6S | 0.4263 | 0.3929 |
| | 0.3293 | 0.3384 | | 0.3853 | 0.3776 | | 0.4305 | 0.4019 |
| | 0.3369 | 0.3451 | | 0.3898 | 0.3716 | | 0.4342 | 0.3957 |
| | 0.3373 | 0.3534 | | 0.3934 | 0.3825 | | 0.4386 | 0.4048 |
| 7G | 0.3292 | 0.3461 | 6N | 0.3853 | 0.3776 | 7S | 0.4305 | 0.4019 |
| | 0.3292 | 0.3539 | | 0.3885 | 0.3882 | | 0.4346 | 0.4108 |
| | 0.3373 | 0.3534 | | 0.3934 | 0.3825 | | 0.4386 | 0.4048 |
| | 0.3376 | 0.3616 | | 0.3970 | 0.3935 | | 0.4430 | 0.4138 |

| Group Gruppe | Cx | Cy | Group Gruppe | Cx | Cy | Group Gruppe | Cx | Cy |
|-----------------|--------|--------|-----------------|--------|--------|-----------------|--------|--------|
| 5H | 0.3366 | 0.3369 | 7N | 0.3885 | 0.3882 | 8S | 0.4346 | 0.4108 |
| | 0.3369 | 0.3451 | | 0.3916 | 0.3987 | | 0.4387 | 0.4197 |
| | 0.3441 | 0.3428 | | 0.3970 | 0.3935 | | 0.4430 | 0.4138 |
| | 0.3448 | 0.3515 | | 0.4006 | 0.4044 | | 0.4474 | 0.4228 |
| 6H | 0.3369 | 0.3451 | 5O | 0.3890 | 0.3690 | 5T | 0.4298 | 0.3867 |
| | 0.3373 | 0.3534 | | 0.3916 | 0.3772 | | 0.4342 | 0.3957 |
| | 0.3448 | 0.3515 | | 0.3975 | 0.3731 | | 0.4373 | 0.3893 |
| | 0.3456 | 0.3601 | | 0.4006 | 0.3815 | | 0.4420 | 0.3985 |
| 7H | 0.3373 | 0.3534 | 6O | 0.3916 | 0.3772 | 6T | 0.4342 | 0.3957 |
| | 0.3376 | 0.3616 | | 0.3943 | 0.3853 | | 0.4386 | 0.4048 |
| | 0.3456 | 0.3601 | | 0.4006 | 0.3815 | | 0.4420 | 0.3985 |
| | 0.3464 | 0.3688 | | 0.4036 | 0.3898 | | 0.4468 | 0.4077 |
| 5I | 0.3441 | 0.3428 | 7O | 0.3943 | 0.3853 | 7T | 0.4386 | 0.4048 |
| | 0.3448 | 0.3515 | | 0.3970 | 0.3934 | | 0.4430 | 0.4138 |
| | 0.3515 | 0.3487 | | 0.4036 | 0.3898 | | 0.4468 | 0.4077 |
| | 0.3527 | 0.3578 | | 0.4067 | 0.3982 | | 0.4515 | 0.4168 |
| 6I | 0.3448 | 0.3515 | 8O | 0.3970 | 0.3934 | 8T | 0.4430 | 0.4138 |
| | 0.3456 | 0.3601 | | 0.3997 | 0.4015 | | 0.4474 | 0.4228 |
| | 0.3527 | 0.3578 | | 0.4067 | 0.3982 | | 0.4515 | 0.4168 |
| | 0.3539 | 0.3669 | | 0.4097 | 0.4065 | | 0.4562 | 0.4260 |

Group Name on Label**Gruppenbezeichnung auf Etikett**

Example: LR-5R-B

Beispiel: LR-5R-B

| Brightness Helligkeit | Chromaticity Coordinate Farbort | Forward Voltage Durchlassspannung |
|--------------------------|------------------------------------|--------------------------------------|
| LR | 5R | B |

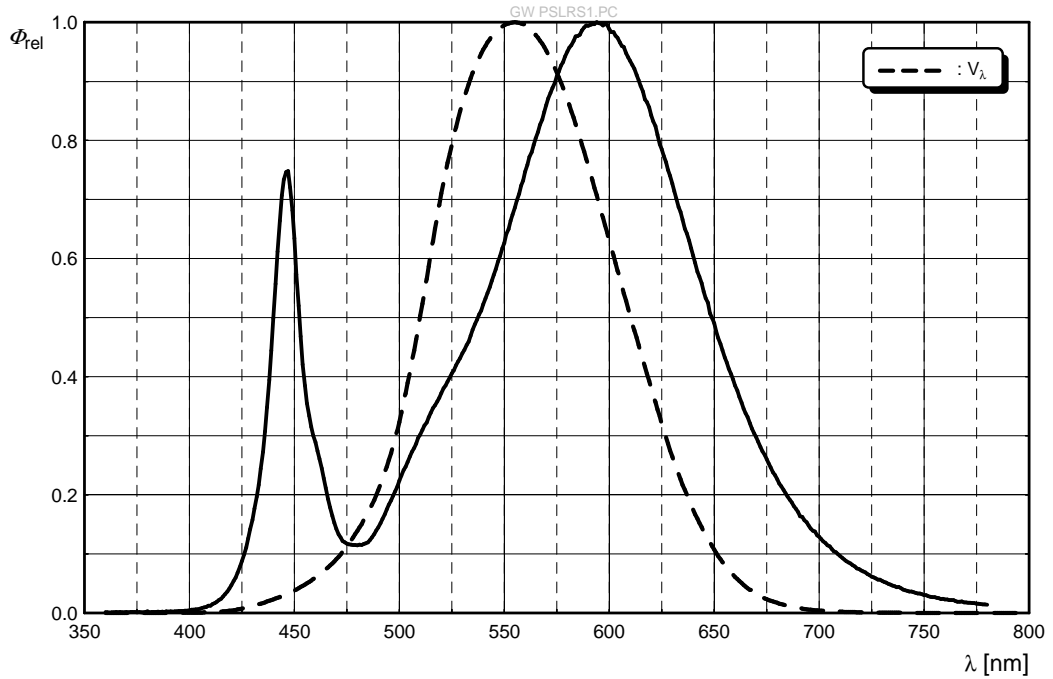
Note: No packing unit / tape ever contains more than one group for each selection.

Anm.: In einer Verpackungseinheit / Gurt ist immer nur eine Gruppe für jede Selektion enthalten.

Relative Spectral Emission - $V(\lambda) = \text{Standard eye response curve}$ ^{6) page 24}

Relative spektrale Emission - $V(\lambda) = \text{spektrale Augenempfindlichkeit}$ ^{6) Seite 24}

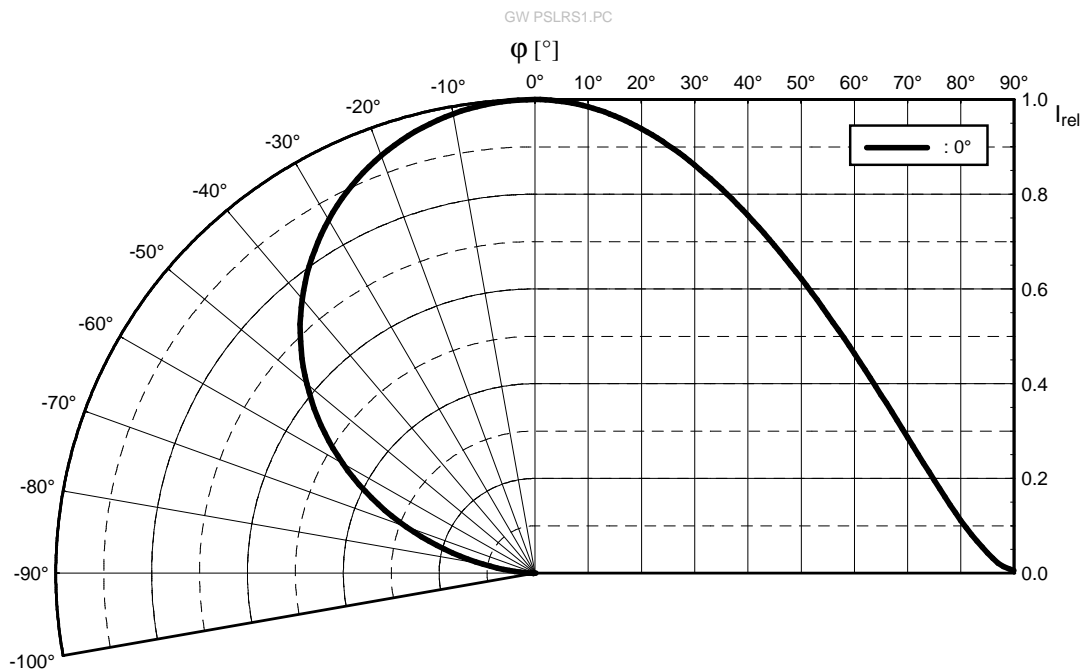
$\Phi_{\text{rel}} = f(\lambda)$; $T_S = 25\text{ }^\circ\text{C}$; $I_F = 150\text{ mA}$



Radiation Characteristics ^{6) page 24}

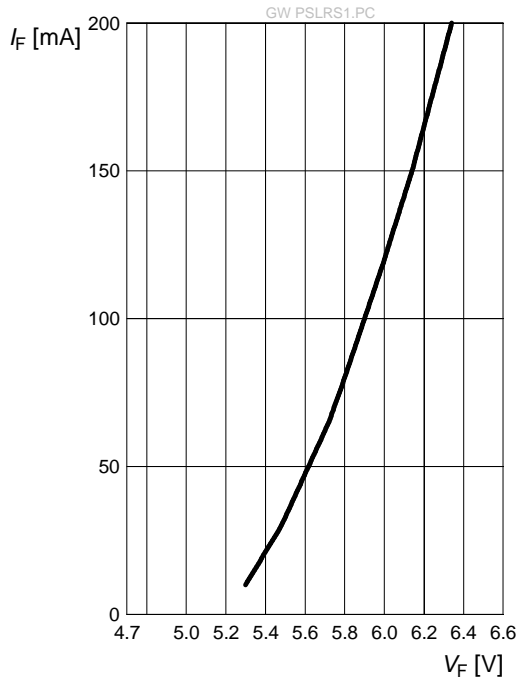
Abstrahlcharakteristik ^{6) Seite 24}

$I_{\text{rel}} = f(\phi)$; $T_S = 25\text{ }^\circ\text{C}$



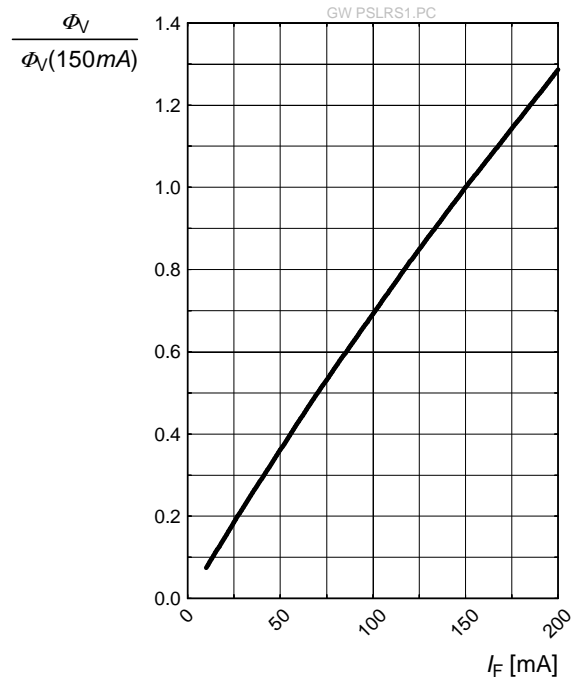
Forward Current 6) page 24 , 8) page 24
Durchlassstrom 6) Seite 24 , 8) Seite 24

$I_F = f(V_F); T_S = 25\text{ }^\circ\text{C}$



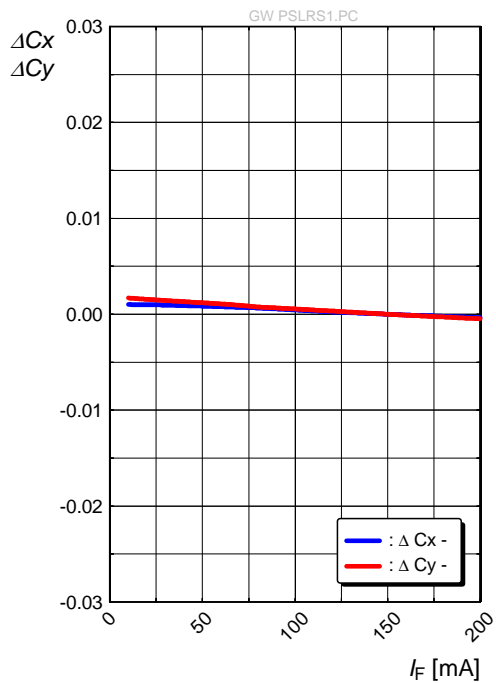
Relative Luminous Flux 6) page 24 , 8) page 24
Relativer Lichtstrom 6) Seite 24 , 8) Seite 24

$\Phi_V/\Phi_V(150\text{ mA}) = f(I_F); T_S = 25\text{ }^\circ\text{C}$



Chromaticity Coordinate Shift 6) page 24
Farbortverschiebung 6) Seite 24

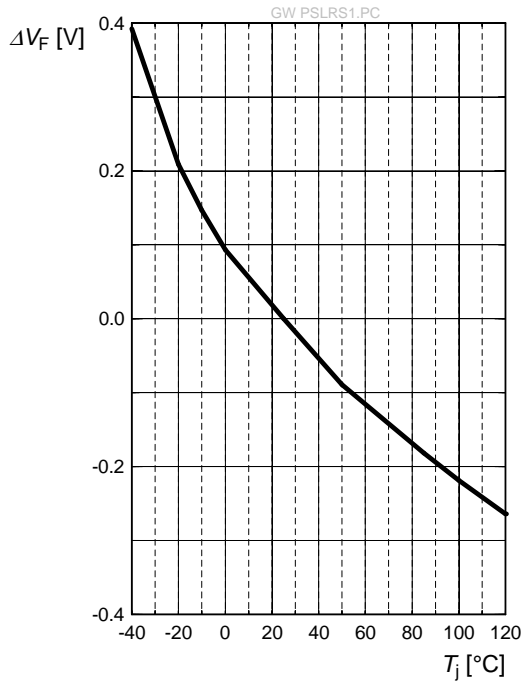
$\Delta C_x, \Delta C_y = f(I_F); T_S = 25\text{ }^\circ\text{C}$



Relative Forward Voltage ^{6) page 24}

Relative Vorwärtsspannung ^{6) Seite 24}

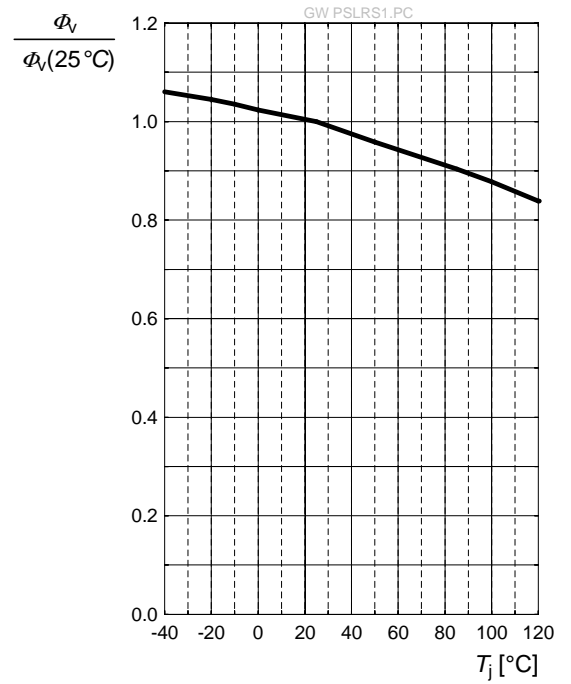
$\Delta V_F = V_F - V_F(25\text{ °C}) = f(T_j); I_F = 150\text{ mA}$



Relative Luminous Flux ^{6) page 24}

Relativer Lichtstrom ^{6) Seite 24}

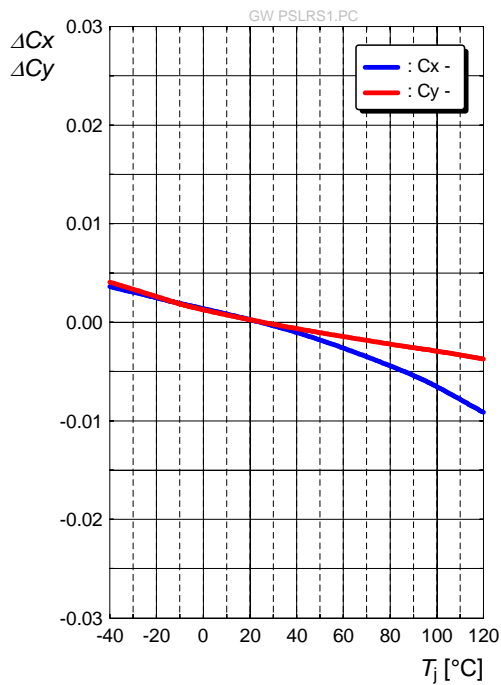
$\Phi_V / \Phi_V(25\text{ °C}) = f(T_j); I_F = 150\text{ mA}$



Chromaticity Coordinate Shift ^{6) page 24}

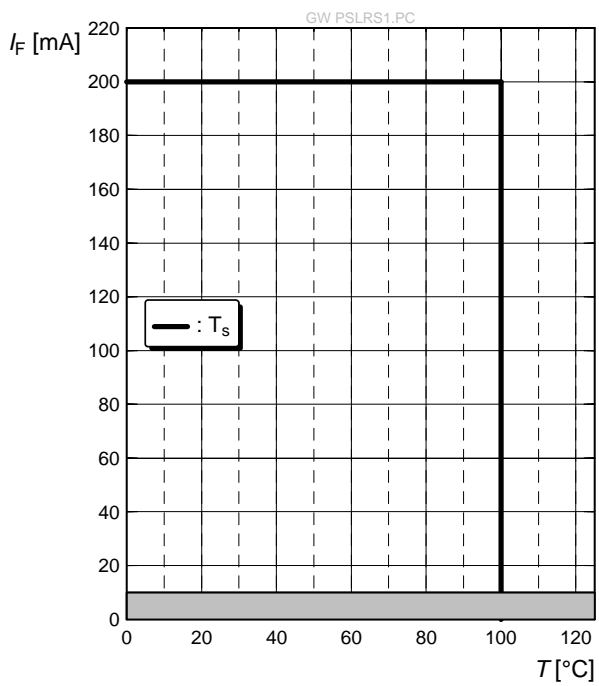
Farbortverschiebung ^{6) Seite 24}

$\Delta C_x, \Delta C_y = f(T_j); I_F = 150\text{ mA}$



Max. Permissible Forward Current
Max. zulässiger Durchlassstrom

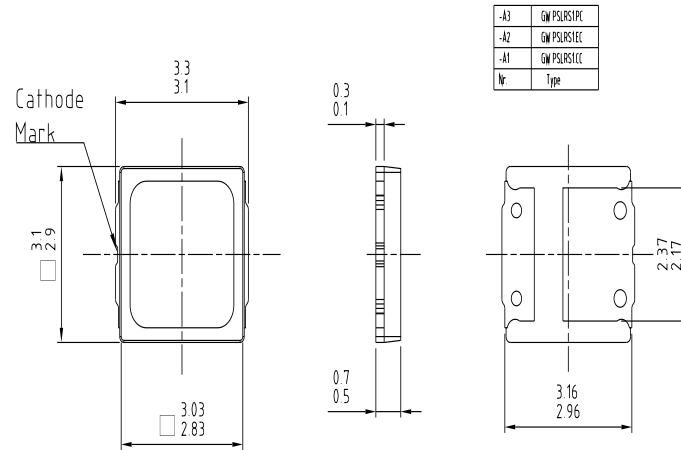
$$I_F = f(T)$$



Package Outline ^{9) page 24}

Maßzeichnung ^{9) Seite 24}

Current Source / Current Source



C67062-A0130-A1...01

Approximate Weight:

17.7 mg

Gewicht:

17.7 mg

Mark:

Cathode

Markierung:

Kathode

ESD information:

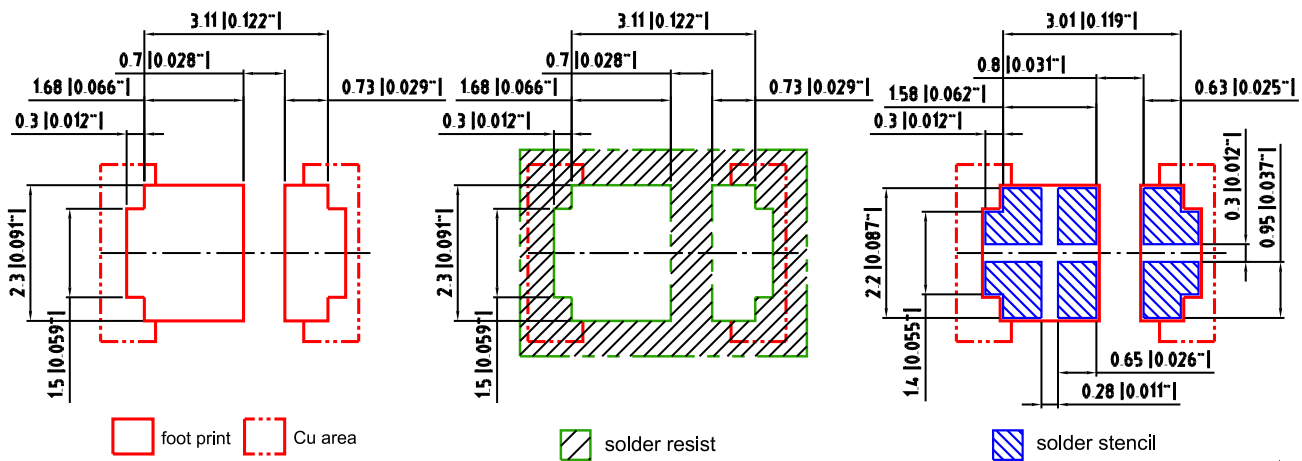
LED is protected by ESD device which is connected in parallel to LED-Chip.

ESD Information:

Die LED enthält ein ESD-Bauteil, das parallel zum Chip geschaltet ist.

Recommended Solder Pad ^{9) page 24}
Empfohlenes Lötpaddingesign ^{9) Seite 24}

Reflow soldering
 Reflow-Löten



E062.3010.14.2 -02

Note:

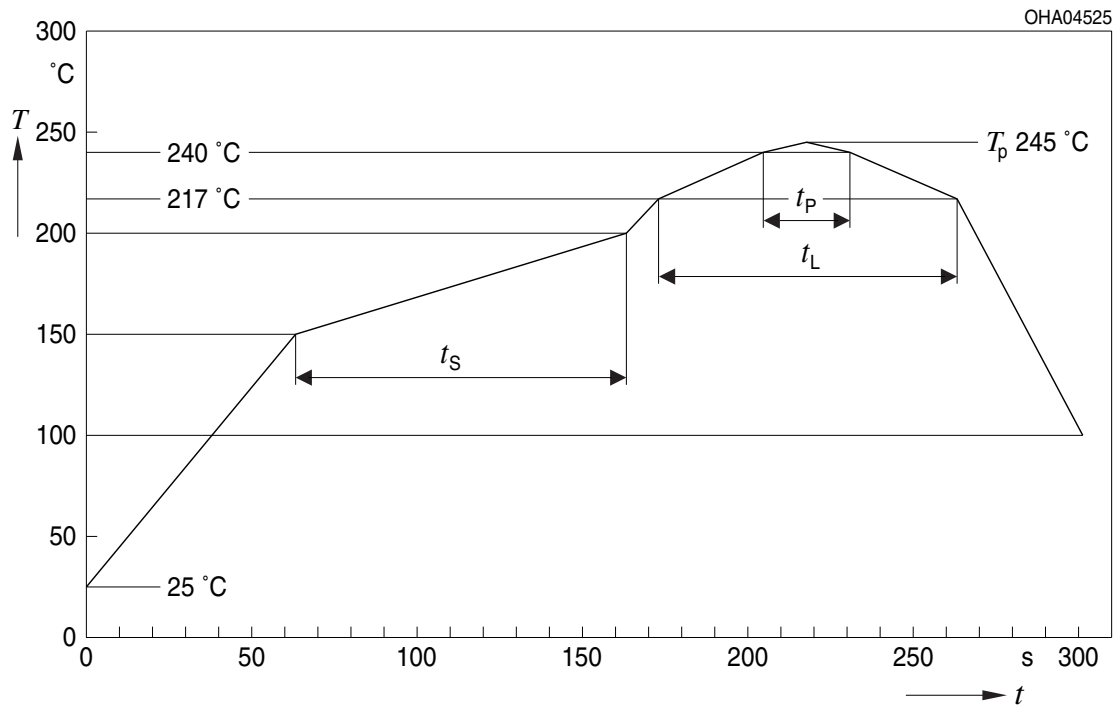
*Package not suitable for ultra sonic cleaning.
 For superior solder joint connectivity results we
 recommend soldering under standard nitrogen
 atmosphere.*

Anm.:

*Das Gehäuse ist für Ultraschallreinigung nicht
 geeignet.
 Um eine verbesserte Lötstellenkontaktierung zu
 erreichen, empfehlen wir, unter Standard-
 Stickstoffatmosphäre zu löten.*

Reflow Soldering Profile Reflow-Lötprofil

Product complies to MSL Level 3 acc. to JEDEC J-STD-020D.01



OHA04612

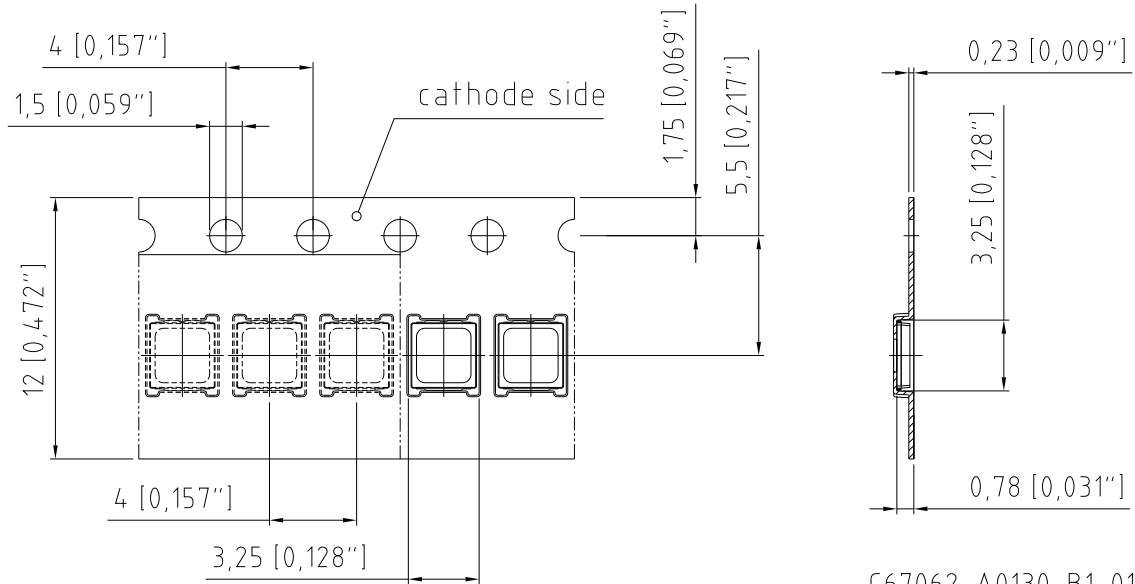
| Profile Feature Profil-Charakteristik | Symbol Symbol | Pb-Free (SnAgCu) Assembly | | | Unit Einheit |
|---|------------------|---------------------------|----------------|---------|-----------------|
| | | Minimum | Recommendation | Maximum | |
| Ramp-up rate to preheat*) 25 °C to 150 °C | | | 2 | 3 | K/s |
| Time t_S T_{Smin} to T_{Smax} | t_S | 60 | 100 | 120 | s |
| Ramp-up rate to peak*) T_{Smax} to T_P | | | 2 | 3 | K/s |
| Liquidus temperature | T_L | | 217 | | °C |
| Time above liquidus temperature | t_L | | 80 | 100 | s |
| Peak temperature | T_P | | 245 | 260 | °C |
| Time within 5 °C of the specified peak temperature $T_P - 5$ K | t_P | 10 | 20 | 30 | s |
| Ramp-down rate* T_P to 100 °C | | | 3 | 6 | K/s |
| Time 25 °C to T_P | | | | 480 | s |

All temperatures refer to the center of the package, measured on the top of the component

* slope calculation DT/Dt : Dt max. 5 s; fulfillment for the whole T-range

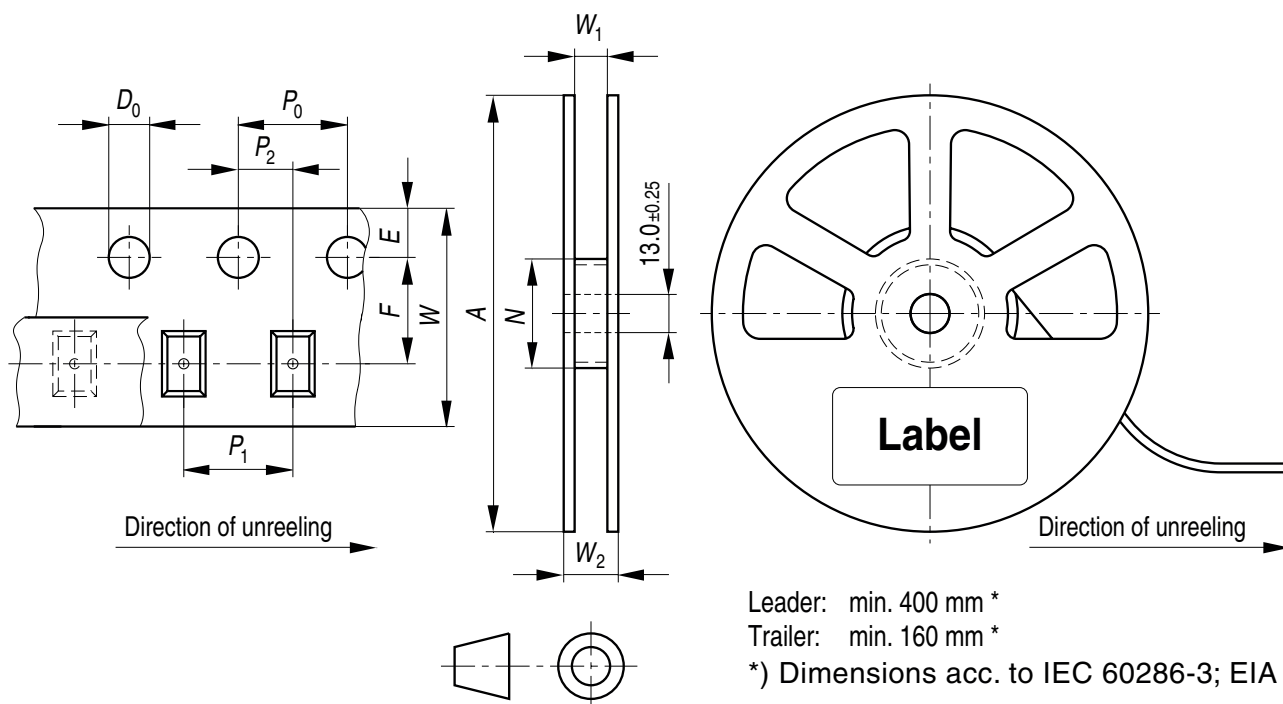
Taping ^{9) page 24}
Gurtung ^{9) Seite 24}

Additional Source / Additional Source



Tape and Reel Gurtverpackung

12 mm tape with 2000 pcs. on \varnothing 180 mm reel



Leader: min. 400 mm *

Trailer: min. 160 mm *

*) Dimensions acc. to IEC 60286-3; EIA 481-D

OHAY0324

Tape dimensions [mm]

Gurtmaße [mm]

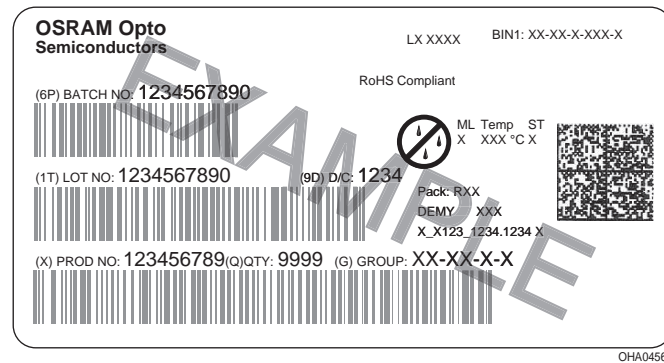
| W | P ₀ | P ₁ | P ₂ | D ₀ | E | F |
|------------------|----------------|--------------------------|----------------|----------------|------------|------------|
| 12 + 0.3 / - 0.1 | 4 ± 0.1 | 4 ± 0.1 or 8 ± 0.1 | 2 ± 0.05 | 1.5 ± 0.1 | 1.75 ± 0.1 | 5.5 ± 0.05 |

Reel dimensions [mm]

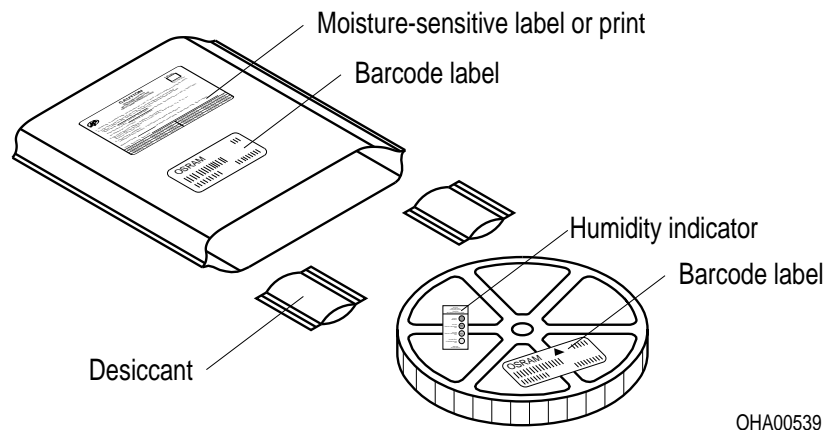
Rollenmaße [mm]

| A | W | N _{min} | W ₁ | W _{2max} |
|-----|----|------------------|----------------|-------------------|
| 180 | 12 | 60 | 12.4 + 2 | 18.4 |

Barcode-Product-Label (BPL) Barcode-Produkt-Etikett (BPL)



Dry Packing Process and Materials Trockenverpackung und Materialien



Note:

Moisture-sensitive product is packed in a dry bag containing desiccant and a humidity card.

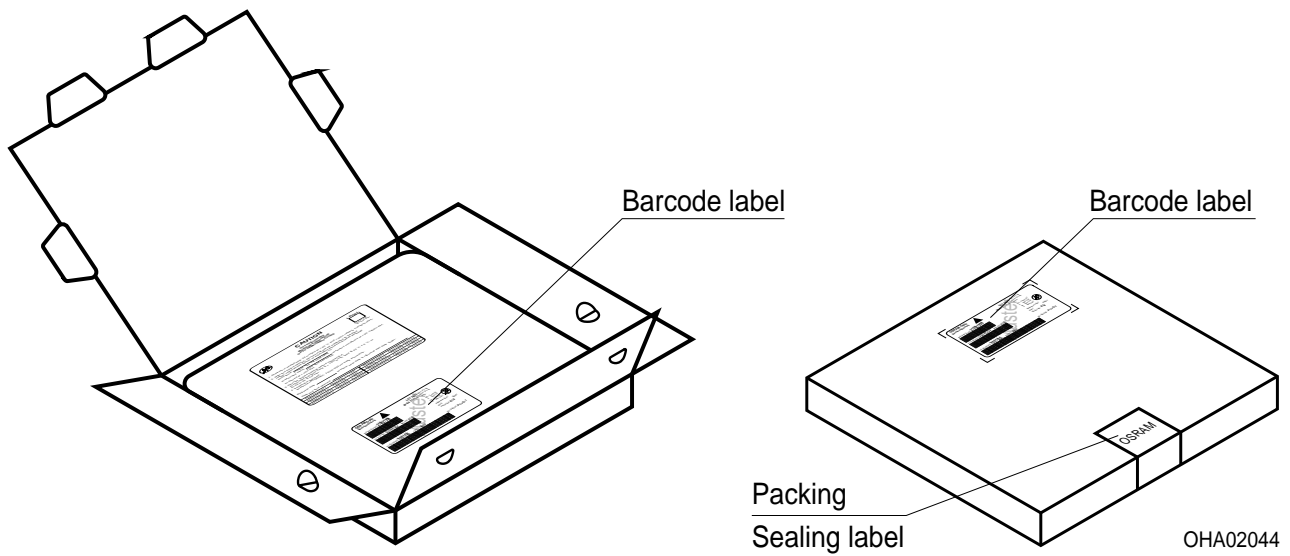
Regarding dry pack you will find further information in the internet and in the Short Form Catalog in chapter "Tape and Reel" under the topic "Dry Pack". Here you will also find the normative references like JEDEC.

Anm.:

Feuchteempfindliche Produkte sind verpackt in einem Trockenbeutel zusammen mit einem Trockenmittel und einer Feuchteindikatorkarte.

Bezüglich Trockenverpackung finden Sie weitere Hinweise im Internet und in unserem Short Form Catalog im Kapitel "Gurtung und Verpackung" unter dem Punkt "Trockenverpackung". Hier sind Normenbezüge, unter anderem ein Auszug der JEDEC-Norm, enthalten.

Transportation Packing and Materials Kartonverpackung und Materialien



Dimensions of transportation box in mm

| Width Breite | Length Länge | Height Höhe |
|-----------------|-----------------|----------------|
| 195 ± 5 | 195 ± 5 | 30 ± 5 |

Notes

The evaluation of eye safety occurs according to the standard IEC 62471:2008 ("photobiological safety of lamps and lamp systems"). Within the risk grouping system of this CIE standard, the LED specified in this data sheet fall into the class Low risk (exposure time 100 s). Under real circumstances (for exposure time, eye pupils, observation distance), it is assumed that no endangerment to the eye exists from these devices. As a matter of principle, however, it should be mentioned that intense light sources have a high secondary exposure potential due to their blinding effect. As is also true when viewing other bright light sources (e.g. spotlights), temporary reduction in visual acuity and afterimages can occur, leading to irritation, annoyance, visual impairment, and even accidents, depending on the situation.

This LED contains metal materials. Corroded metal may lead to a worsening of the optical performance of the LED and can in the worst case lead to a failure of the LED. Do not expose this LED to aggressive atmospheres. Note, that corrosive gases may as well be emitted from materials close to the LED in the final product.

This LED is designed for specific/recommended applications only. Please consult OSRAM Opto Semiconductors Sales Staff in advance for detailed information on other non-recommended applications (e.g. automotive)

OR

Please visit www.osram-os.com/appnotes.

Change management for this component is aligned with the requirements of the lighting market.

Hinweise

Die Bewertung der Augensicherheit erfolgt nach dem Standard IEC 62471:2008 ("photobiological safety of lamps and lamp systems"). Im Risikogruppensystem dieser CIE- Norm erfüllen die in diesem Datenblatt angegebenen LEDs folgende Gruppenanforderung - Low risk (Expositionsdauer 100 s). Unter realen Umständen (für Expositionsdauer, Augenpupille, Betrachtungsabstand) geht damit von diesen Bauelementen keinerlei Augengefährdung aus. Grundsätzlich sollte jedoch erwähnt werden, dass intensive Lichtquellen durch ihre Blendwirkung ein hohes sekundäres Gefahrenpotenzial besitzen. Nach einem Blick in eine helle Lichtquelle (z.B. Spotlights), kann ein temporär eingeschränktes Sehvermögen oder auch Nachbilder zu Irritationen, Belästigungen, Beeinträchtigungen oder sogar Unfällen führen.

Diese LED enthält teilweise metallische Bestandteile. Korrodiertes Metall kann zu einer Verschlechterung der optischen Eigenschaften und im schlimmsten Fall zum Ausfall der LED führen. Diese LED darf aggressiven Bedingungen nicht ausgesetzt werden. Es ist zu beachten, dass korrosive Gase auch von Materialien emittiert werden können, die sich im Endprodukt in unmittelbarer Umgebung der LED befinden.

Die LED ist ausschließlich für spezifisch empfohlene Anwendungen konzipiert. Bitte kontaktieren Sie das OSRAM Opto Semiconductors Vertriebspersonal für detaillierte Informationen über nicht empfohlene Anwendungsbereiche (z.B. Automobilbereich). oder besuchen Sie

www.osram-os.com/appnotes

Das Änderungsmanagement dieses Bauteils ist an den Anforderungen des Lichtmarktes ausgerichtet.

Disclaimer

Language english will prevail in case of any discrepancies or deviations between the two language wordings.

Attention please!

The information describes the type of component and shall not be considered as assured characteristics.

Terms of delivery and rights to change design reserved. Due to technical requirements components may contain dangerous substances.

For information on the types in question please contact our Sales Organization.

If printed or downloaded, please find the latest version in the Internet.

Packing

Please use the recycling operators known to you. We can also help you – get in touch with your nearest sales office.

By agreement we will take packing material back, if it is sorted. You must bear the costs of transport. For packing material that is returned to us unsorted or which we are not obliged to accept, we shall have to invoice you for any costs incurred.

Components used in life-support devices or systems must be expressly authorized for such purpose!

Critical components* may only be used in life-support devices** or systems with the express written approval of OSRAM OS.

*) A critical component is a component used in a life-support device or system whose failure can reasonably be expected to cause the failure of that life-support device or system, or to affect its safety or the effectiveness of that device or system.

**) Life support devices or systems are intended (a) to be implanted in the human body, or (b) to support and/or maintain and sustain human life. If they fail, it is reasonable to assume that the health and the life of the user may be endangered.

Disclaimer

Bei abweichenden Angaben im zweisprachigen Wortlaut haben die Angaben in englischer Sprache Vorrang.

Bitte beachten!

Lieferbedingungen und Änderungen im Design vorbehalten. Aufgrund technischer Anforderungen können die Bauteile Gefahrstoffe enthalten. Für weitere Informationen zu gewünschten Bauteilen, wenden Sie sich bitte an unseren Vertrieb. Falls Sie dieses Datenblatt ausgedruckt oder heruntergeladen haben, finden Sie die aktuellste Version im Internet.

Verpackung

Benutzen Sie bitte die Ihnen bekannten Recyclingwege. Wenn diese nicht bekannt sein sollten, wenden Sie sich bitte an das nächstgelegene Vertriebsbüro. Wir nehmen das Verpackungsmaterial zurück, falls dies vereinbart wurde und das Material sortiert ist. Sie tragen die Transportkosten. Für Verpackungsmaterial, das unsortiert an uns zurückgeschickt wird oder das wir nicht annehmen müssen, stellen wir Ihnen die anfallenden Kosten in Rechnung.

Bauteile, die in lebenserhaltenden Apparaten und Systemen eingesetzt werden, müssen für diese Zwecke ausdrücklich zugelassen sein!

Kritische Bauteile* dürfen in lebenserhaltenden Apparaten und Systemen** nur dann eingesetzt werden, wenn ein schriftliches Einverständnis von OSRAM OS vorliegt.

*) Ein kritisches Bauteil ist ein Bauteil, das in lebenserhaltenden Apparaten oder Systemen eingesetzt wird und dessen Defekt voraussichtlich zu einer Fehlfunktion dieses lebenserhaltenden Apparates oder Systems führen wird oder die Sicherheit oder Effektivität dieses Apparates oder Systems beeinträchtigt.

**) Lebenserhaltende Apparate oder Systeme sind für (a) die Implantierung in den menschlichen Körper oder (b) für die Lebenserhaltung bestimmt. Falls Sie versagen, kann davon ausgegangen werden, dass die Gesundheit und das Leben des Patienten in Gefahr ist.

Glossary

- 1) **Brightness:** Brightness values are measured during a current pulse of typically 10 ms, with a tolerance of +/- 7%.
- 2) **Reverse Operation:** A minimum of 10 hours of reverse operation is permissible in total.
- 3) **Forward Voltage:** The Forward voltage is measured during a current pulse duration of typically 1 ms with a tolerance of $\pm 0.05V$.
- 4) **Color reproduction index:** Color reproduction index values (CRI-RA) are measured during a current pulse of typically 10 ms and with a tolerance of ± 2 .
- 5) **Thermal Resistance:** $R_{th\ max}$ is based on statistic values (6σ).
- 6) **Typical Values:** Due to the special conditions of the manufacturing processes of LED, the typical data or calculated correlations of technical parameters can only reflect statistical figures. These do not necessarily correspond to the actual parameters of each single product, which could differ from the typical data and calculated correlations or the typical characteristic line. If requested, e.g. because of technical improvements, these typ. data will be changed without any further notice.
- 7) **Chromaticity coordinate groups:** Chromaticity coordinate groups are measured during a current pulse duration of typically 10ms with a tolerance of ± 0.005 .
- 8) **Characteristic curve:** In the range where the line of the graph is broken, you must expect higher differences between single LEDs within one packing unit.
- 9) **Tolerance of Measure:** Unless otherwise noted in drawing, tolerances are specified with ± 0.1 and dimensions are specified in mm.

Glossar

- 1) **Helligkeit:** Helligkeitswerte werden während eines Strompulses mit einer typischen Dauer von 10 ms, mit einer Genauigkeit von $\pm 7\%$ ermittelt.
- 2) **Betrieb in Sperrrichtung:** Eine Gesamtbetriebszeit von wenigstens 10 Stunden in Sperrrichtung ist gewährleistet.
- 3) **Vorwärtsspannung:** Spannungswerte werden mit einer Stromeinprägedauer von 1 ms, mit einer Genauigkeit von $\pm 0.05 V$ ermittelt.
- 4) **Farbwiedergabe Index:** Werte des Farbwiedergabe Index (CRI-RA) werden während eines Strompulses einer typischen Dauer von 10 ms, mit einer Genauigkeit von ± 2 ermittelt.
- 5) **Wärmewiderstand:** $R_{th\ max}$ basiert auf statistischen Werten (6σ).
- 6) **Typische Werte:** Wegen der besonderen Prozessbedingungen bei der Herstellung von LED können typische oder abgeleitete technische Parameter nur aufgrund statistischer Werte wiedergegeben werden. Diese stimmen nicht notwendigerweise mit den Werten jedes einzelnen Produktes überein, dessen Werte sich von typischen und abgeleiteten Werten oder typischen Kennlinien unterscheiden können. Falls erforderlich, z.B. aufgrund technischer Verbesserungen, werden diese typischen Werte ohne weitere Ankündigung geändert.
- 7) **Farbortgruppen:** Farbortgruppen werden mit einer Stromeinprägedauer von 10 ms, mit einer Genauigkeit von ± 0.005 ermittelt.
- 8) **Kennlinien:** Im gestrichelten Bereich der Kennlinien muss mit erhöhten Abweichungen zwischen Leuchtdioden innerhalb einer Verpackungseinheit gerechnet werden.
- 9) **Maßtoleranz:** Wenn in der Zeichnung nicht anders angegeben, gilt eine Toleranz von $\pm 0,1$. Maße werden in mm angegeben.

Published by OSRAM Opto Semiconductors GmbH
Leibnizstraße 4, D-93055 Regensburg
www.osram-os.com © All Rights Reserved.

EU RoHS and China RoHS compliant product



此产品符合欧盟 RoHS 指令的要求；
按照中国的相关法规和标准，不含有毒有害物质或元素。

Looking for pricing, stock, or lifecycle information?

Click below to explore more details on WIN SOURCE:

- ⊖ [View GW PSLRS1.PC-LTMP-5H7I-1-150-R18 on WIN SOURCE](#)
- ⊖ [OSRAM Opto Semiconductors Inc. Information](#)

Optimize Your Supply Chain with WIN SOURCE Solutions

- ✓ Global Sourcing Solution
- ✓ Obsolete Management
- ✓ Cost Control Management
- ✓ Shortage Management
- ✓ Alternative Solution
- ✓ Excess Inventory Management