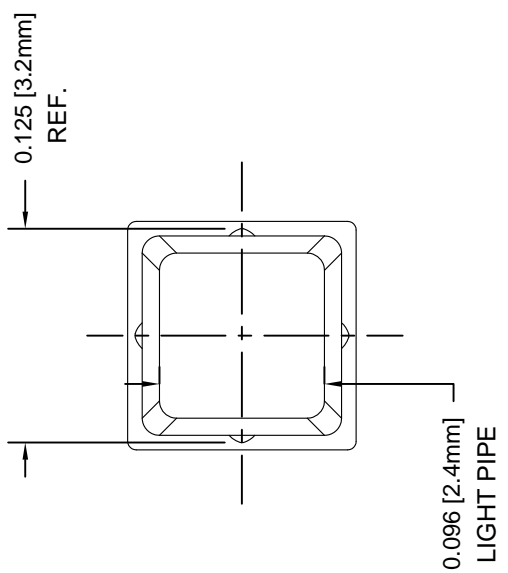
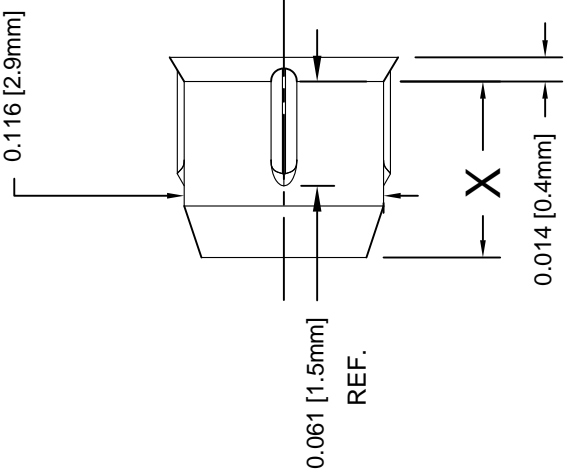




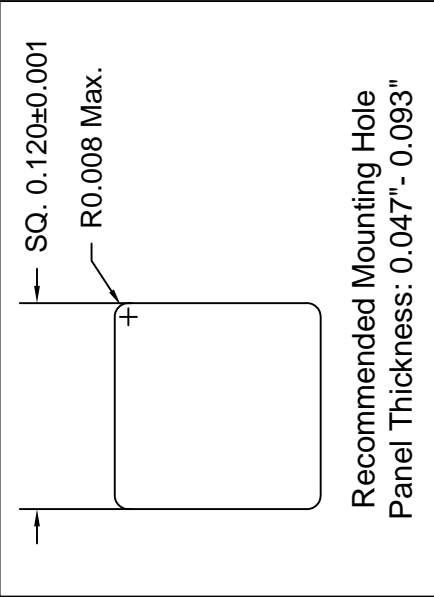
**THE DATASHEET OF
PLPQ3-100-FF**



REV.	
A	Engineering Release
B	Added Color Options



Part No.	X = Body Length
PLPQ3-100-FF	0.100 (2.5mm)
PLPQ3-125-FF	0.125 (3.2mm)
PLPQ3-188-FF	0.188 (4.8mm)
PLPQ3-250-FF	0.250 (6.4mm)
PLPQ3-313-FF	0.313 (7.9mm)
PLPQ3-375-FF	0.375 (9.5mm)
PLPQ3-500-FF	0.500 (12.7mm)
PLPQ3-3MM-FF	3mm (0.118")
PLPQ3-4MM-FF	4mm (0.157")
PLPQ3-5MM-FF	5mm (0.197")
PLPQ3-6MM-FF	6mm (0.236")
PLPQ3-7MM-FF	7mm (0.276")
PLPQ3-8MM-FF	8mm (0.315")
PLPQ3-9MM-FF	9mm (0.354")
PLPQ3-10MM-FF	10mm (0.394")



Recommended Mounting Hole
Panel Thickness: 0.047" - 0.093"

STANDARD TOLERANCES
(UNLESS OTHERWISE SPECIFIED)

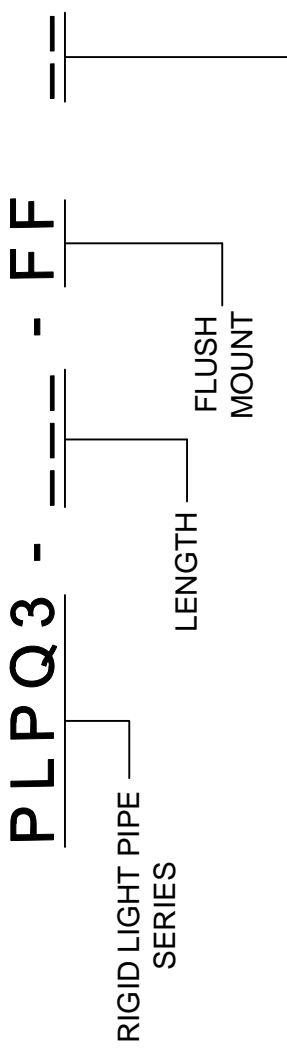
DECIMALS	ANGLES
.X ±.1	X°
.XX ±.01	
.XXX ±.005	

DESIGNED: **Brian Oliver** DATE: **04/2/20**
 CHECKED: **Alex Wright** DATE: **04/2/20**

2. MATERIAL: POLYCARBONATE, 94V-0, CLEAR
1. GENERAL SPECIFICATIONS: BIVAR MOLDED COMPONENT SPECIFICATION BV00-E101 and BSMC-1001.

OTHER AVAILABLE COLORS
 * SEE TABLE FOR ORDERING INFORMATION

REV.	SEE SHEET #1



COLOR	Order Code
BLUE	BE
BLACK	BK
GREEN	GN
GRAY	GY
RED	RD
YELLOW	YW

NOTE: LEAVE ORDER CODE BLANK
 IF NO COLOR IS DESIRED.

STANDARD TOLERANCES
 (UNLESS OTHERWISE SPECIFIED)

DECIMALS ANGULAR



DESIGNED:	DATE:
K. Aukshunas	01/20
CHECKED:	DATE:
J. Chiang	01/20

3. PARTS ARE DYED TO COLOR UPON REQUEST.

Looking for pricing, stock, or lifecycle information?

Click below to explore more details on WIN SOURCE:

 [View PLPQ3-100-FF on WIN SOURCE](#)

 [Bivar Inc. Information](#)

Optimize Your Supply Chain with WIN SOURCE Solutions

-  Global Sourcing Solution
-  Obsolete Management
-  Cost Control Management
-  Shortage Management
-  Alternative Solution
-  Excess Inventory Management