

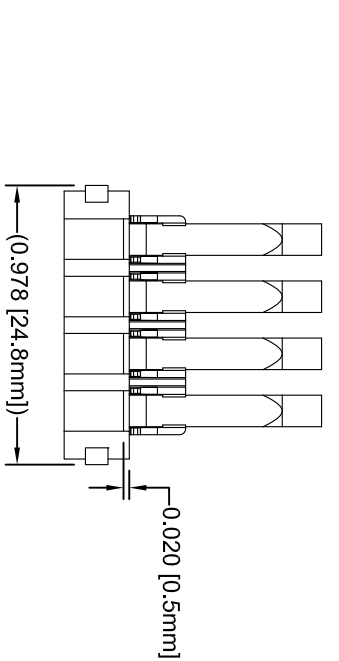
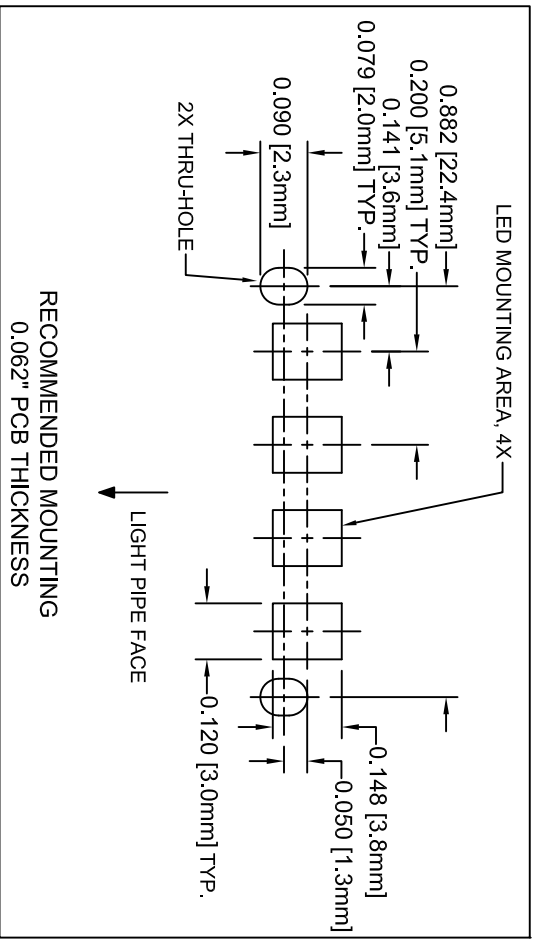
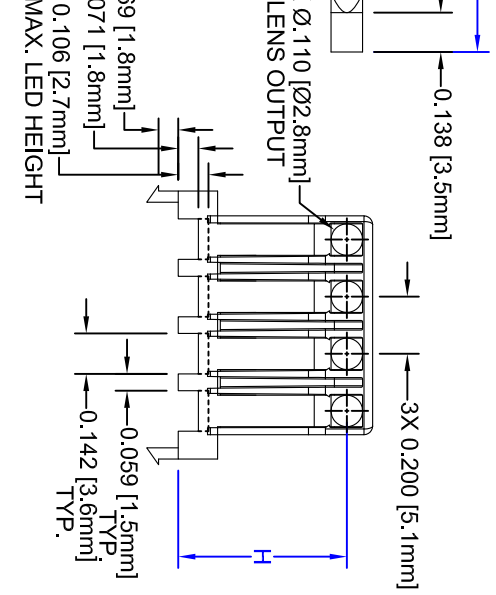
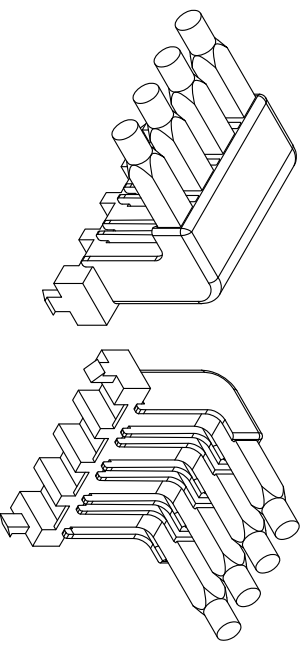
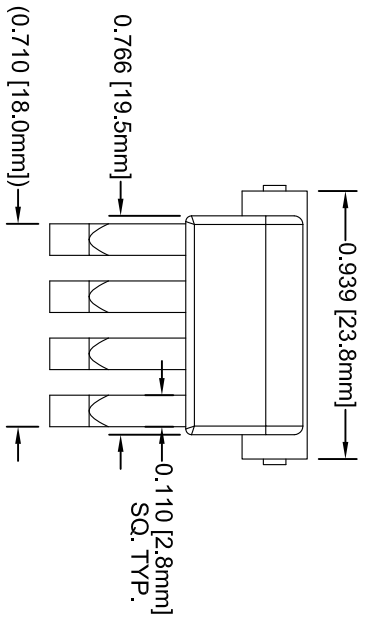


**THE DATASHEET OF  
RLP4-600-650**



PART DESCRIPTION	
Surface Mount Right Angle Light Pipe, 2.8mm, 4 Station.	
See Table on 2nd Page	
LPR Housing, 4 Station, White. See Table on 2nd Page	

REV.	DESCRIPTION	DATE	APPROVED
<b>A</b>	Engineering Release	11/06/09	T. Y.
<b>B</b>	Added Overall Height "K" Dim	03/04/11	T. Y.
<b>C</b>	Added Overall Snap Height Dimension	08/15/12	T. Y.
<b>D</b>	Added Color Options, Sheet #3	02/02/16	J. C.
<b>E</b>	ECO-1066; Updated Mounting Hole Dimensions	08/11/20	A. V.



STANDARD TOLERANCE (UNLESS OTHERWISE SPECIFIED)		4 THOMAS, IRVINE, CA, 92618	
DECIMALS	± 0.1	<b>BYVAR</b> TEL: (949) 951-8808 FAX: (949) 951-3974	
ANGULAR	X° ± 1°		
	.XX ± 0.01		
	.XXX ± 0.010		
DESIGNED:	<b>R. Paje</b>	DATE:	11/06/09
REVISION:	<b>K. Baron</b>	DATE:	08/11/20
CHECKED:	<b>A. Valdez</b>	DATE:	08/11/20
PART NO: RLP4-XXX-XXX		SHEET SIZE:	A
REVISION: E		CAGE CODE:	32559
TITLE: RIGHT ANGLE LIGHT PIPE, 2.8MM, 4 STATION		SCALE:	1:1
		SHEET #	1 OF 3
CAD GENERATED DOCUMENT, DO NOT MEASURE DRAWING			

REV.	DESCRIPTION	DATE	APPROVED
SEE SHEET #1			

**RLP4-XXX-XXX**

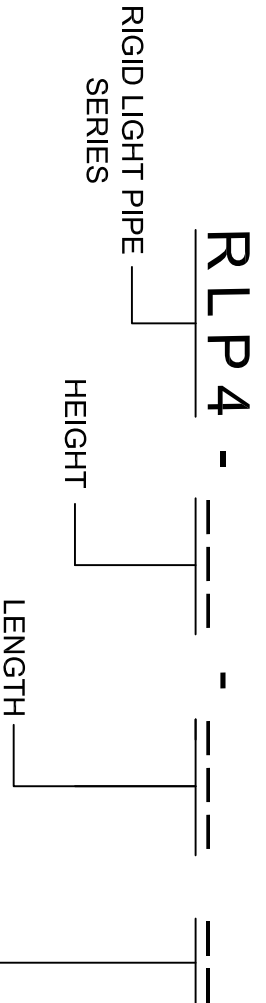
N	H	L	K			FIGURE
650	0.197 [5.0mm]	0.551 [14.0mm]	0.287 [7.3mm]	LPR4-XXX-XXX	RLPH4-XXX	
		0.669 [17.0mm]		LPR4-200-500	RLPH4-200	
800		0.787 [20.0mm]		LPR4-200-800	RLPH4-200	
		0.551 [14.0mm]		LPR4-400-500	RLPH4-400	
650	0.394 [10.0mm]	0.669 [17.0mm]	0.484 [12.3mm]	LPR4-400-650	RLPH4-400	
		0.787 [20.0mm]		LPR4-400-800	RPH4-400	
500		0.551 [14.0mm]		LPR4-600-500	RLPH4-600	
		0.669 [17.0mm]		LPR4-600-650	RLPH4-600	
800	0.591 [15.0mm]	0.787 [20.0mm]	0.681 [17.3mm]	LPR4-600-800	RLPH4-600	
		0.551 [14.0mm]				

CAGE CODE:	32559	PART NO.:	RLP4-XXX-XXX	REVISION:	E
SHEET SIZE:	A	SCALE:	1:1	SHEET #	2 OF 3
CAD GENERATED DOCUMENT. DO NOT MEASURE DRAWING.					



REV.	DESCRIPTION	DATE	APPROVED
	SEE SHEET #1		

**RRS**  
**INFORMATION**



COLOR	Order Code
BLUE	BE
BLACK	BK
GREEN	GN
GRAY	GY
RED	RD
YELLOW	YW

NOTE: LEAVE ORDER CODE BLANK  
 IF NO COLOR IS DESIRED.



EMBLIES WILL BE DYED.  
 OR UPON REQUEST.

CAGE CODE:	32559
SHEET SIZE:	A

<b>BVVR</b>	
PART NO:	RLP4-XXX-XXX
SCALE:	1:1
SHEET #	3 OF 3
REVISION:	E
CAD GENERATED DOCUMENT. DO NOT MEASURE DRAWING.	

## Looking for pricing, stock, or lifecycle information?

Click below to explore more details on WIN SOURCE:

-  [View RLP4-600-650 on WIN SOURCE](#)
-  [Bivar Inc. Information](#)

## Optimize Your Supply Chain with WIN SOURCE Solutions

-  Global Sourcing Solution
-  Obsolete Management
-  Cost Control Management
-  Shortage Management
-  Alternative Solution
-  Excess Inventory Management