



**THE DATASHEET OF
DA3V3SA00LF**



REFERENCE SPECIFICATIONS

-NFC 93425 (in compliance with HE 507)

PHYSICAL CHARACTERISTICS

- INSULATOR MATERIAL: THERMOPLASTIC .UL94V0
- ACCESSORIES: BRASS
- SHELLS: STEEL

ELECTRICAL CHARACTERISTICS

- CONTACT/CONTACT : >=1000 V
- CONTACT/GROUND : >=1200 V
- INSULATION RESISTANCE: >=5000 MOhms

ENVIRONMENTAL CHARACTERISTICS

- CLIMATIC CATEGORY: 55/125/21
- TEMPERATURE RANGE -55°C TO +125°C
- DAMP HEAT STEADY STATE 21 DAYS
- SALT SPRAY 24 HOURS

MECHANICAL CHARACTERISTICS

- RETENTION AGAINST TORQUE:
 - Threaded insert: 0.7 N.m minimum
 - Female screw : 0.5 N.m minimum

NOTE RoHS INFORMATION

- The "LF" products meet european union Directives and other country regulations as described in GS-22-008.
- Shell plating :2 to 4 μm Cu+ Ni + 3 to 10 μm Sn(pure bright)
- Accessories: Sn pure bright + nickel
- Packaging spec: See GS-14-920

Series **DBL5W5SA00LF**

Shell size: E A B C
see sheet 2

Front accessory definition
see sheet 2

- Blank :without accessory
- L : Threaded insert M3
- 0 : Threaded insert UNC 4-40
- V : Female screw UNC 4-40

Layout of contacts (see sheet 3)

Contacts

S :Socket

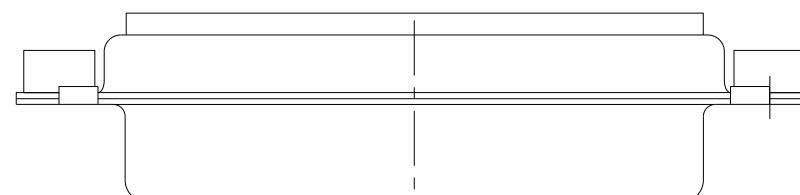
PCB accessory definition

A witout accessory on PCB

Power contacts

00 without power contact

See note RoHS



spec ref	dr	Pro Engineer 1	2015/06/16	projection	mm	size	A2	scale	2:1	
tolerance std	eng	J Dalbard	2016/09/13			ecn no	ECN-ELXF-24942-1			
TOLERANCES UNLESS OTHERWISE SPECIFIED	chr	J Dalbard	2016/09/19				rel level	Released		
	appr	Aymeric Soudy	2016/09/20					product family		
surface	linear	0.X	±0.3	Amphenol FCI		part no	SUB FEMALE DW		rev	
		0.XX	±0.10			cat. no.	C01-8639-2311		E	
	angular	0°	±2°			Product - Customer Drw	sheet 1 of 4			

FIRST ANGLE PROJECTION

B

C

Amphenol FCI

E

F

A

B

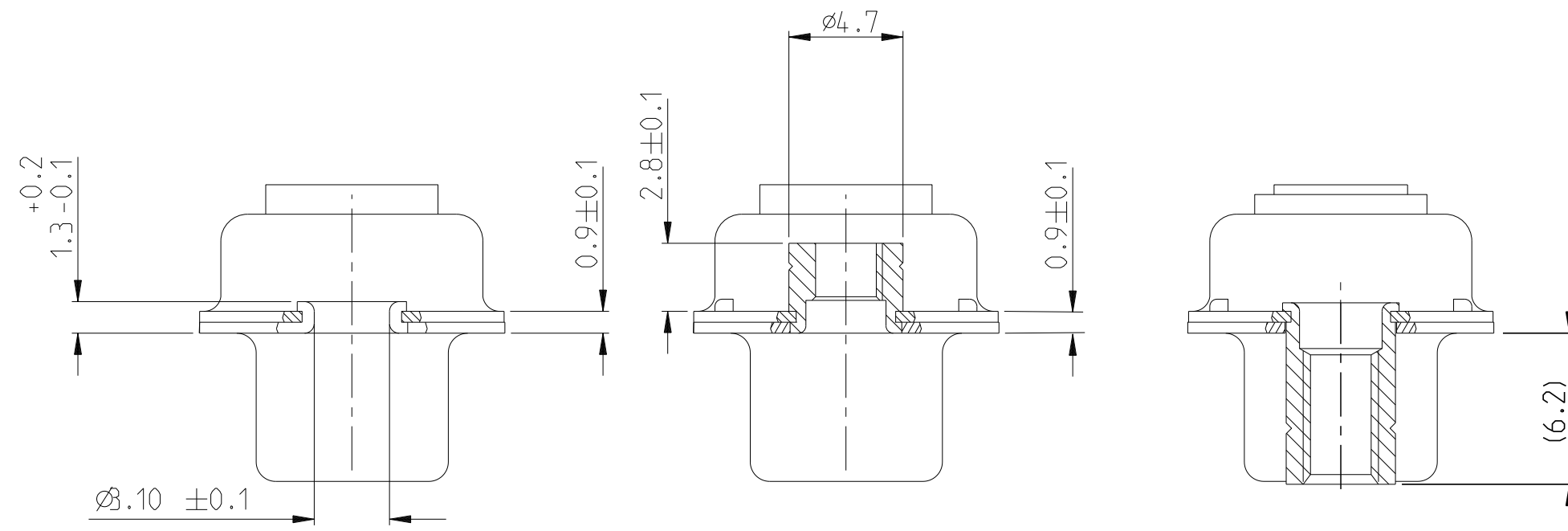
C

D

E

FIRST ANGLE PROJECTION

FIRST ANGLE PROJECTION



FRONT ACCESSORY	Blank without	L insert M3 O insert UNC 4.40	V Female screw UNC 4-40
PCB ACCESSORIES	A without	A without	A without

PART NUMBER	FRONT ACCESSORY	PCB ACCESSORY
D*xW xSA00LF	WITHOUT	WITHOUT
D*VxW xSA00LF	Female screw UNC 4-40	WITHOUT
D*LxW xSA00LF	Insert M3	WITHOUT
D*OxW xSA00LF	Insert UNC 4-40	WITHOUT

shell size LAYOUTS

E	2V2
A	3V3
A	3W3
B	5W5
C	8W8

SCALE:4

Amphenol FCI

© 2016 AFCI

spec ref	dr Pro Engineer 1	2015/06/16	projection	mm	size A2	scale 2:1
tolerance std	eng J Dalbard	2016/09/13			ecn no ECN-ELX-F-24942-1	rel level Released
TOLERANCES UNLESS OTHERWISE SPECIFIED	chr J Dalbard	2016/09/19				
	appr Aymeric Soudy	2016/09/20				
surface	Amphenol FCI			SUB FEMALE DW		dwg no C01-8639-2311
linear 0.X ±0.3 0.XX ±0.10 0.XXX ±0.05 angular 0° ±2°	full power without contact			cat. no. - Product - Customer Drw		rev E sheet 2 of 4

PDS: Rev :E

STATUS:Released

Printed: Sep 28, 2016

FIRST ANGLE PROJECTION

Amphenol FCI

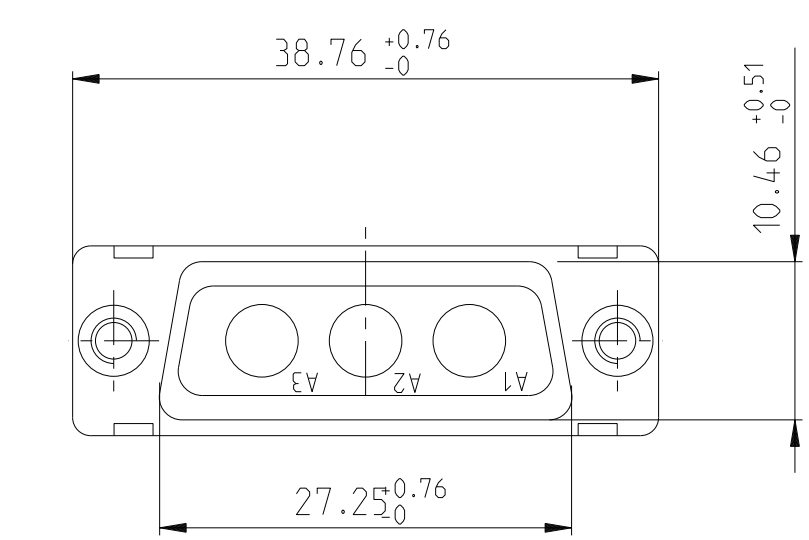
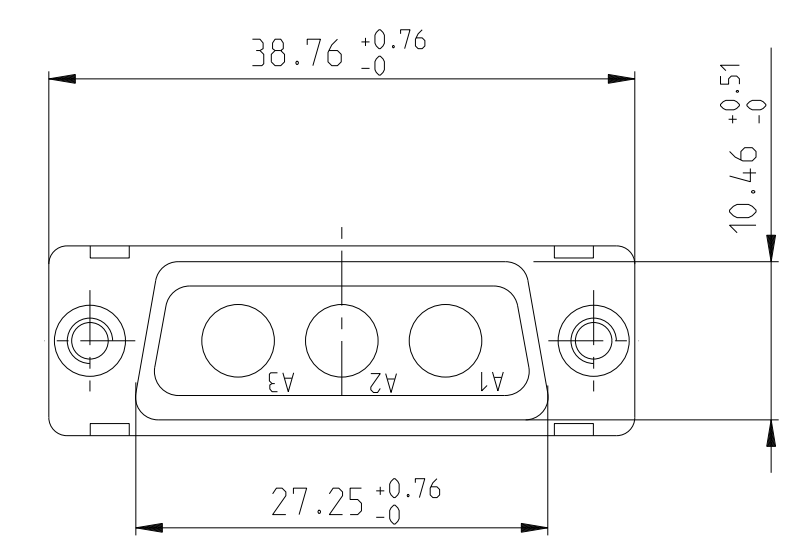
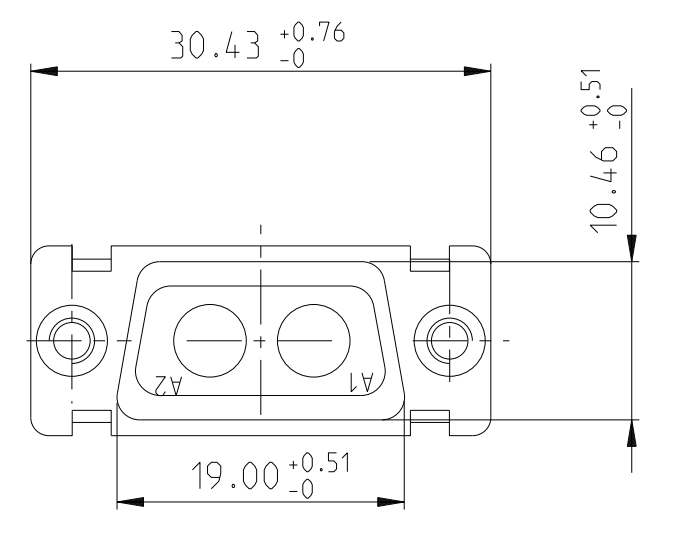
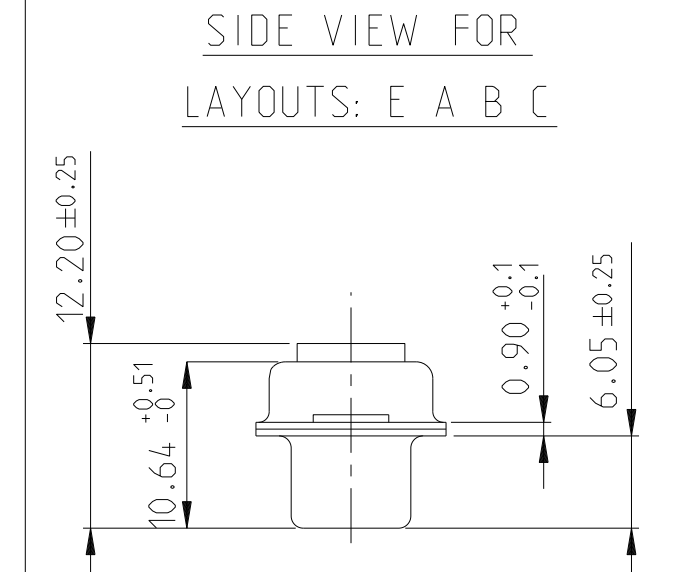
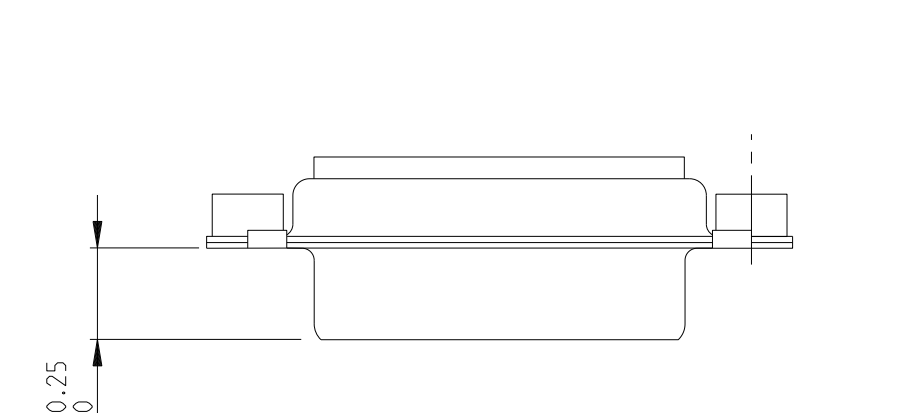
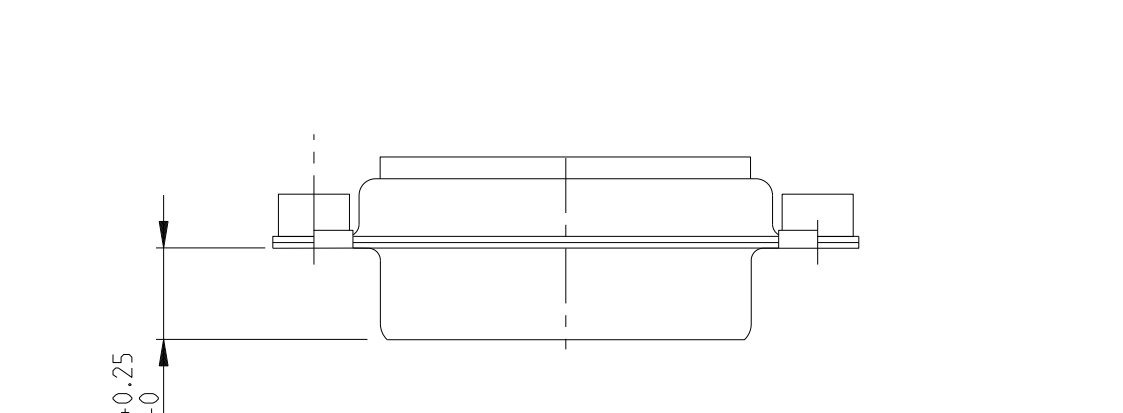
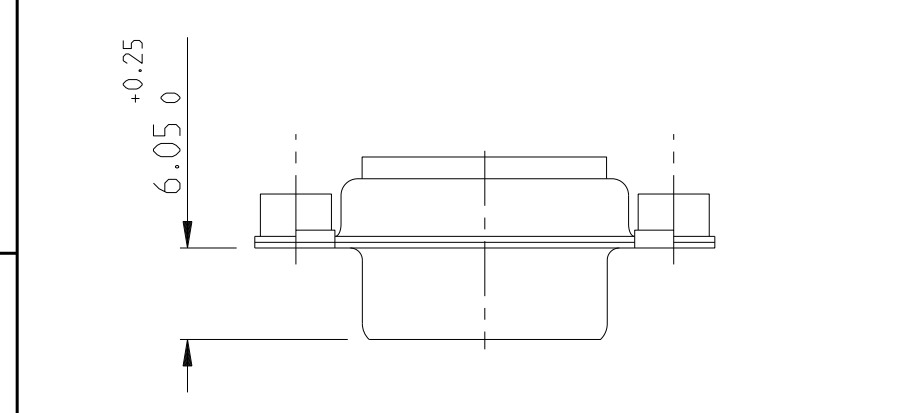
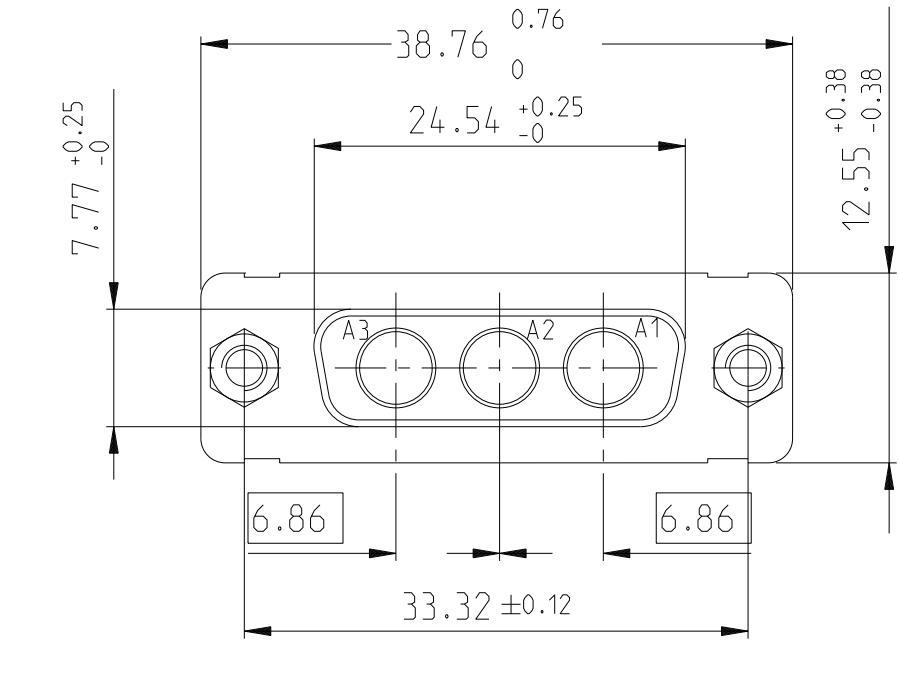
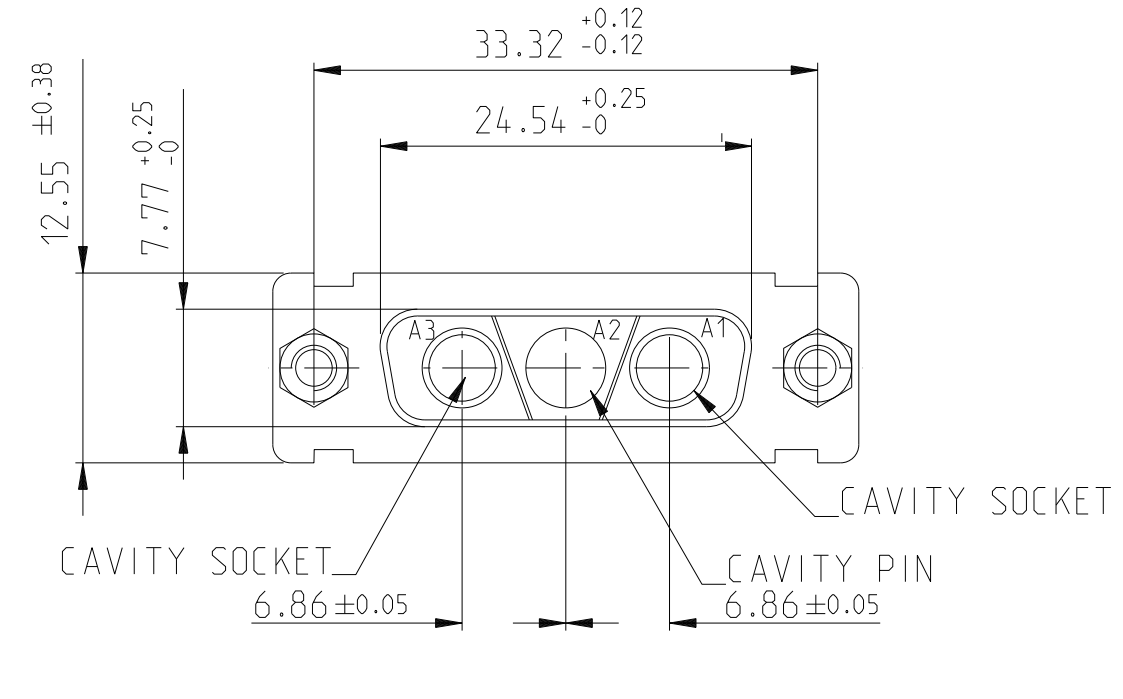
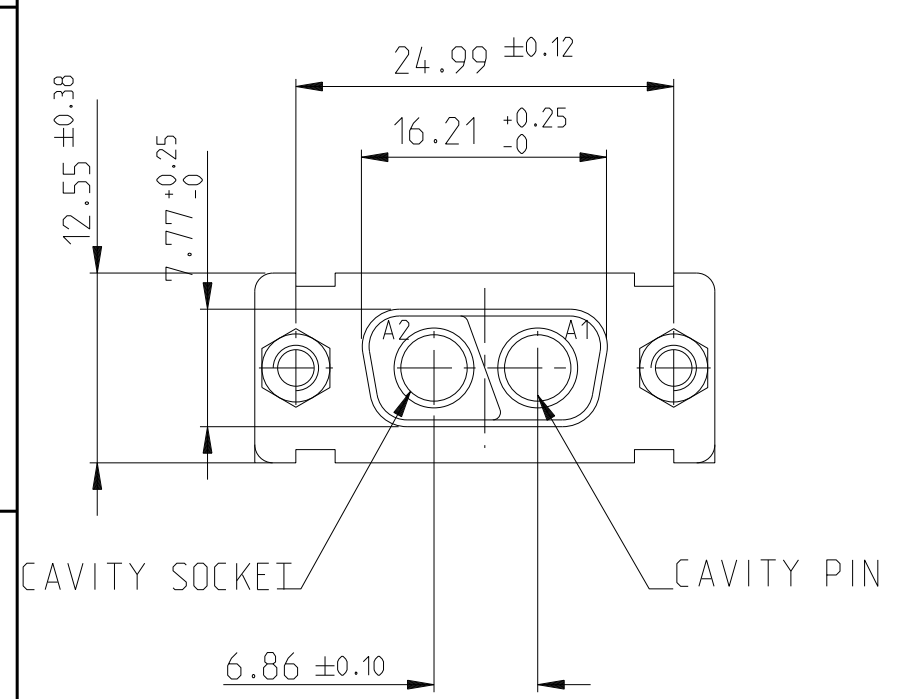
© 2016 AFCI

F

2V2

3V3

3W3



spec ref	dr	Pro Engineer 1	2015/06/16	projection	mm	size	A2	scale	2:1	
tolerance std	eng	J Dalbard	2016/09/13	FIRST ANGLE PROJECTION	←	ecn no	ECN-ELXF-24942-1			
TOLERANCES UNLESS OTHERWISE SPECIFIED	chr	J Dalbard	2016/09/19			rel level	Released			
	appr	Aymeric Soudy	2016/09/20			product family	-			
surface	linear	0.X	±0.3	Amphenol FCI		title	SUB FEMALE DW			
		0.XX	±0.10			part no	C01-8639-2311			
		0.XXX	±0.05			rev	E			
	angular	0°	±2°			cat. no.	-			
				Product - Customer Drw		sheet 3 of 4				

PDS: Rev :E

STATUS:Released

Printed: Sep 28, 2016

FIRST ANGLE PROJECTION

B

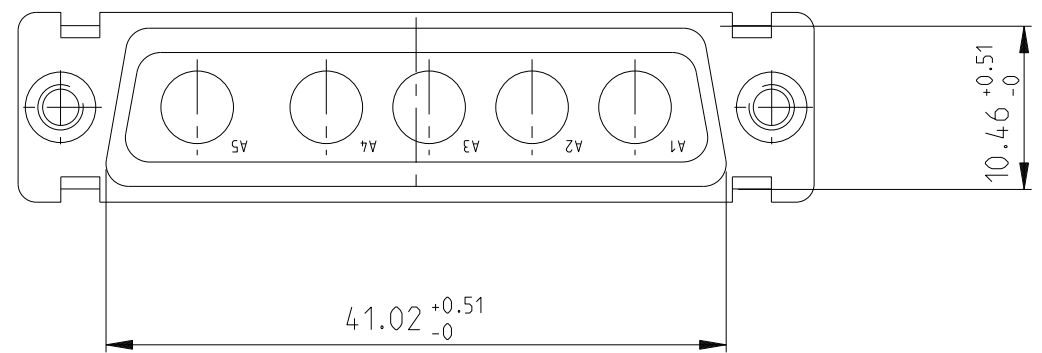
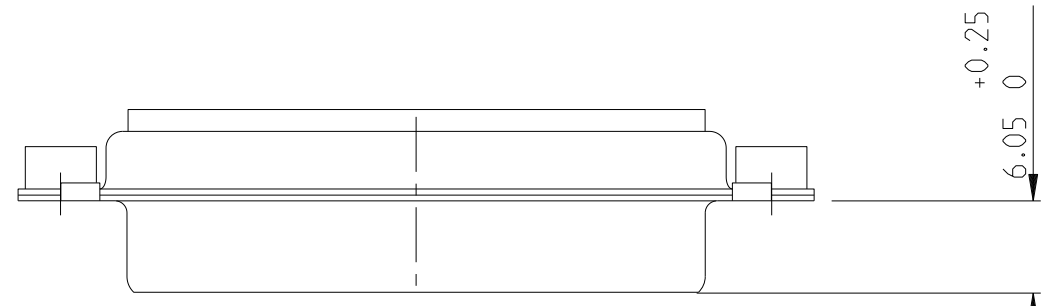
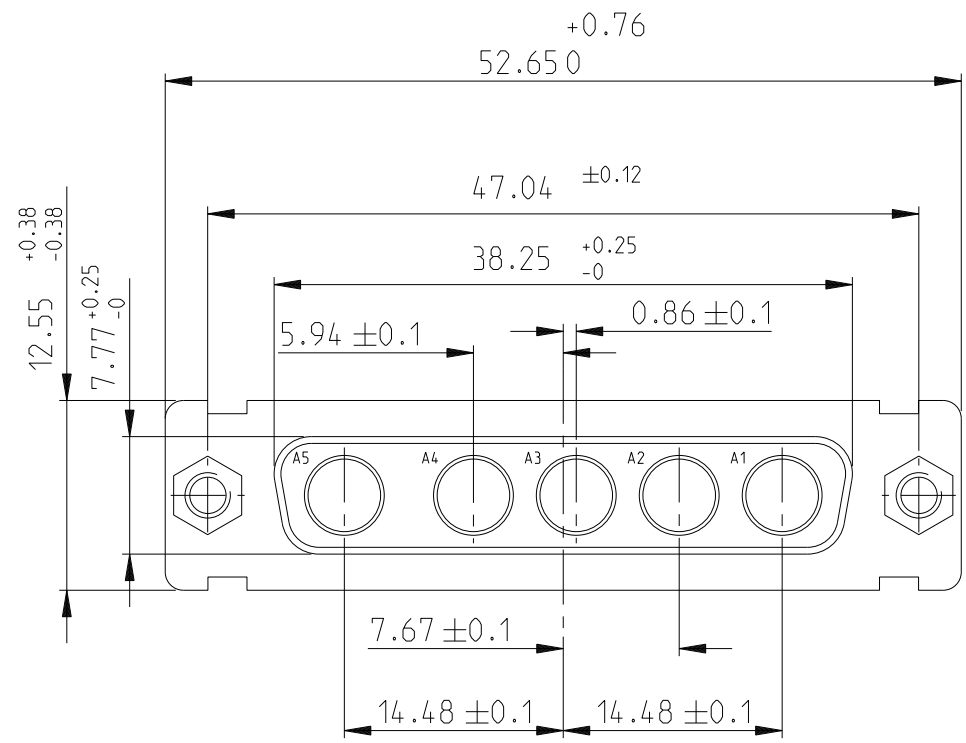
C

D

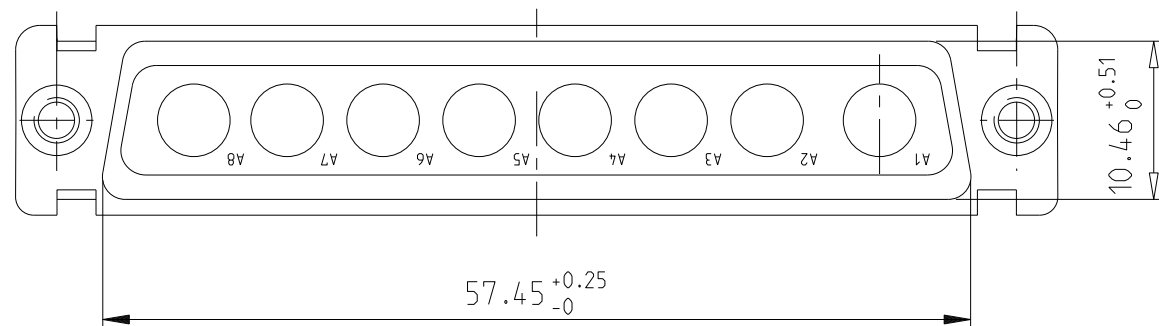
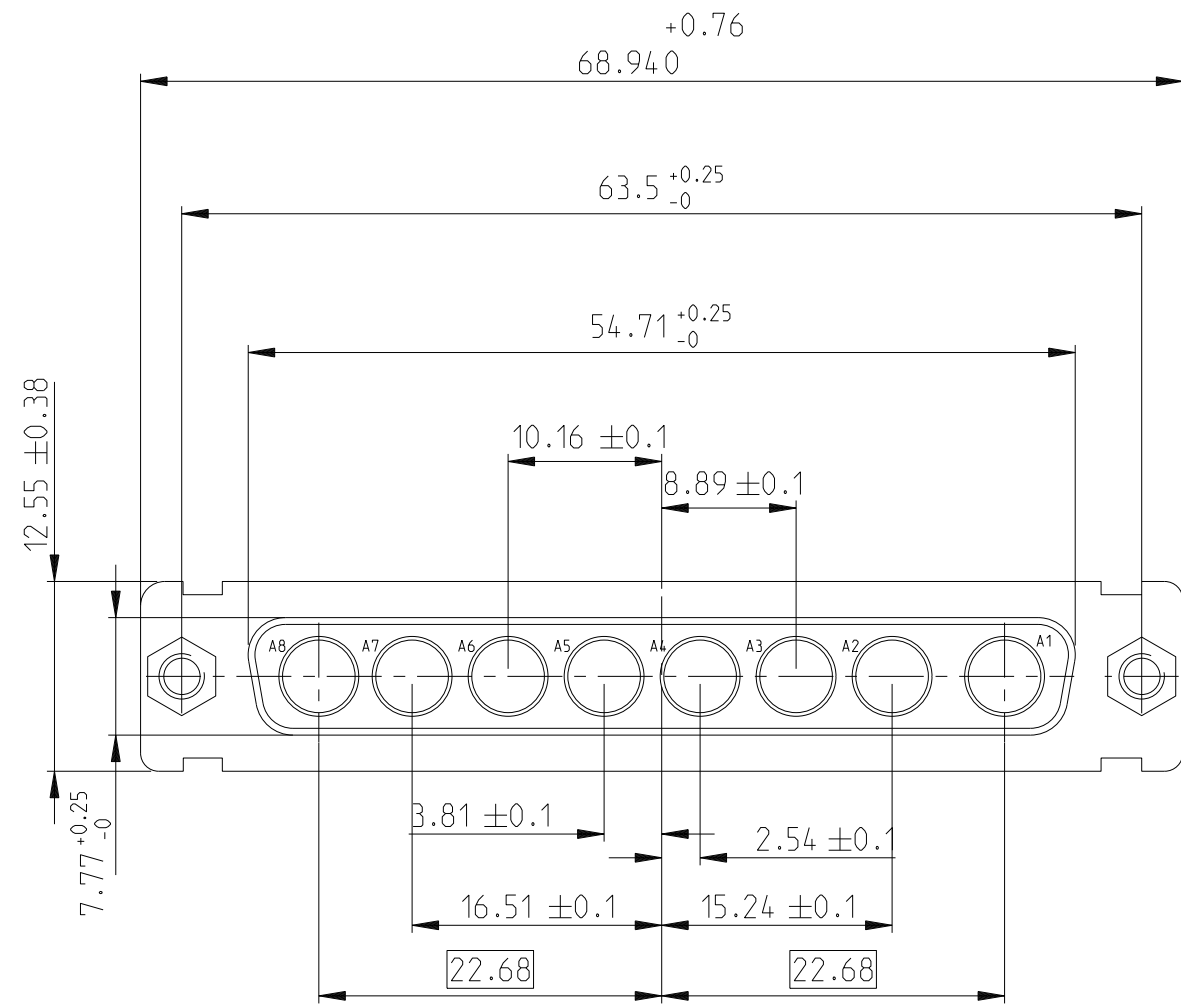
E

F

5W5



8W8



A

B

C

D

E

FIRST ANGLE PROJECTION

Amphenol FCI

© 2016 AFCI

spec ref	dr	Pro Engineer 1	2015/06/16	projection	mm	size	A2	scale	2:1	
tolerance std	eng	J Dalbard	2016/09/13			ecn no	ECN-ELXF-24942-1			
TOLERANCES UNLESS OTHERWISE SPECIFIED	chr	J Dalbard	2016/09/19			rel level	Released			
	appr	Aymeric Soudy	2016/09/20			product family	-			
surface	linear	0.X	±0.3	SUB FEMALE DW			dwg no	C01-8639-2311		
		0.XX	±0.10	full power without contact			rev	E		
	angular	0°	±2°	cat. no.	-			Product - Customer Drw	sheet 4 of 4	

PDS: Rev :E

STATUS:Released

Printed: Sep 28, 2016

Looking for pricing, stock, or lifecycle information?

Click below to explore more details on WIN SOURCE:

 [View DA3V3SA00LF on WIN SOURCE](#)

 [Amphenol Information](#)

Optimize Your Supply Chain with WIN SOURCE Solutions

-  Global Sourcing Solution
-  Obsolete Management
-  Cost Control Management
-  Shortage Management
-  Alternative Solution
-  Excess Inventory Management