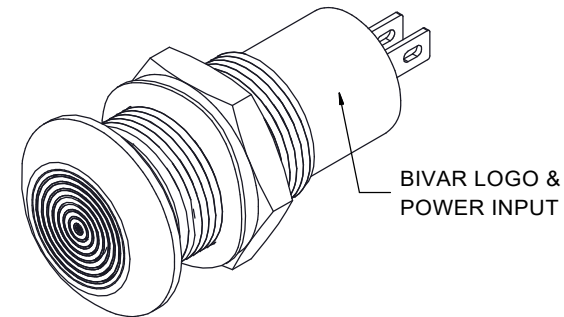
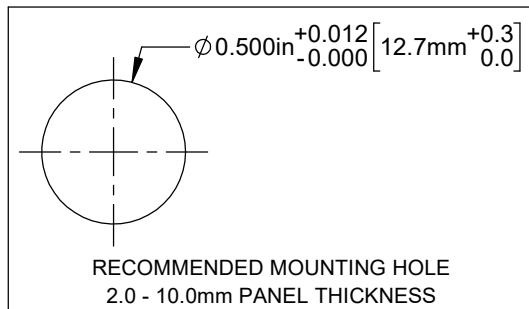
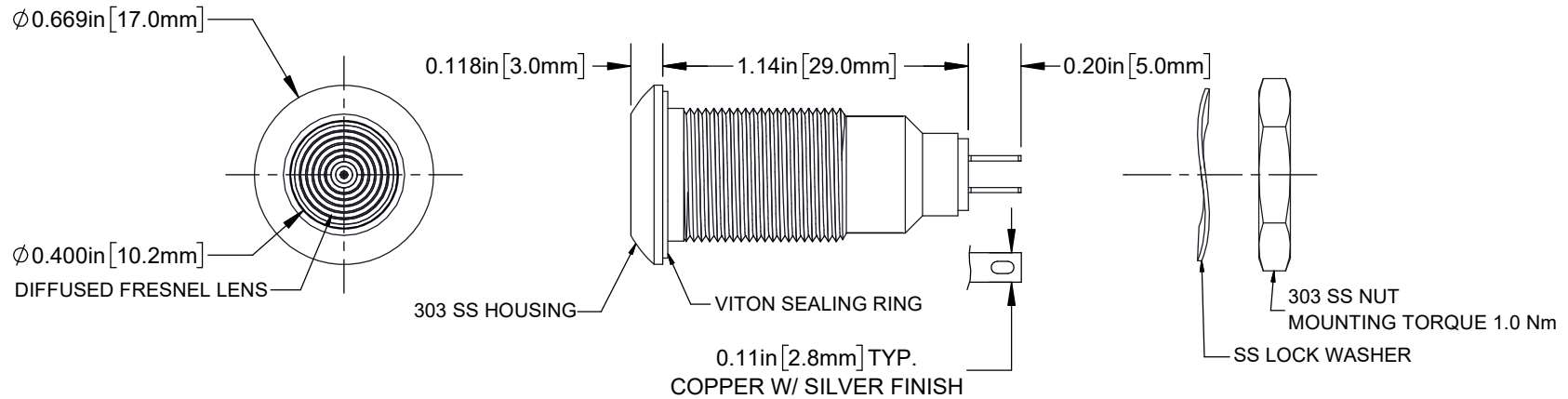




**THE DATASHEET OF
PM5-S17Y28V**



REV.	DESCRIPTION	DATE	APPROVED
B	Engineering Release	07/28/11	T. Y.
C	Engineering Update w/o Changes	08/11/16	J. C.
D	Updated per ECO-1159, EOL #E121622	12/21/2022	A. Y.



CUSTOMER USE DRAWING

NOTES:

1. SEALED TO IP67 RATING
2. WIDE RANGE VOLTAGE INPUT
3. BI-POLAR OPERATION
4. ROHS COMPLIANT
5. MOUNTING HARDWARE SHIPPED NON-ASSEMBLED
6. INSERT VITON RING ON PANEL MOUNT ASSEMBLY PRIOR TO PANEL INSTALLATION

STANDARD TOLERANCE (UNLESS OTHERWISE SPECIFIED)		 4 THOMAS, IRVINE, CA. 92618 TEL: (949) 951-8808 FAX: (949) 951-3974	
DECIMALS	ANGULAR		
.X ± .1	X° ± 1°	TITLE: WATER TIGHT PANEL MOUNT LED ASSEMBLY, 12.7MM MOUNTING	
.XX ± .02			
.XXX ± .010			
DESIGNED: R. PAJE	DATE: 02/23/11	DRAWING NO: PM5-S17XXX	REVISION: D
REVISED: E. CHAN	DATE: 12/20/22	SHEET SIZE A	CAGE CODE: 32559
CHECKED: A. VALDEZ	DATE: 12/20/22	SCALE: 1.5:1	SHEET # 1 OF 2

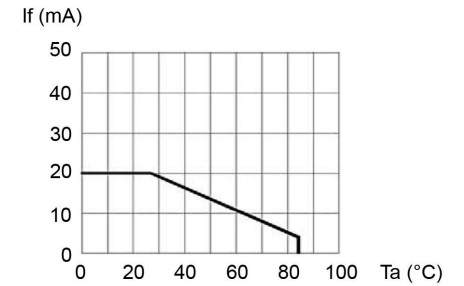
CAD GENERATED DOCUMENT, DO NOT MEASURE DRAWING

REV.	DESCRIPTION	DATE	APPROVED
	SEE SHEET #1		

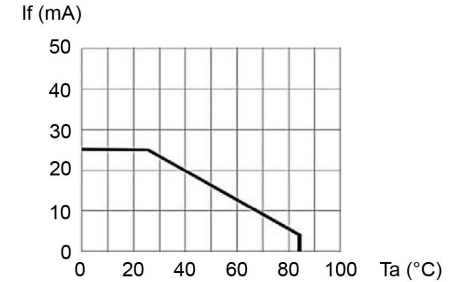
Part Number	Peak Wave Length λ_p (nm)	Emitted Color	Lens Appearance	Electro-Optical Data @ 20mA		Viewing Angle
				Vf (VAC/DC)	Iv (mcd)	
				TYP	TYP	
PM5-S17R28V	630	RED	RED DIFFUSED	12-28 VAC/VDC	600	120
PM5-S17Y28V	585	YELLOW	YELLOW DIFFUSED	12-28 VAC/VDC	600	120
PM5-S17G28V	515	GREEN	GREEN DIFFUSED	12-28 VAC/VDC	800	120
PM5-S17B28V	465	BLUE	BLUE DIFFUSED	12-28 VAC/VDC	400	120

Part Number	Chromaticity Coordinates	Emitted Color	Lens Appearance	Electro-Optical Data @ 20mA		Viewing Angle
				Vf (VAC/DC)	Iv (mcd)	
				TYP	TYP	
PM5-S17W28V	X=0.31, Y=0.32	WHITE	WHITE DIFFUSED	12-28 VAC/VDC	1200	120

DERATING CURVES



EMITTED COLORS: RED/YELLOW



EMITTED COLORS: GREEN/BLUE/WHITE

ABSOLUTE MAXIMUM RATINGS (Ta = 25°C)

MAXIMUM POWER DISSIPATION _____ 825 mW
 OPERATING TEMPERATURE RANGE _____ -40°C ~ 95°C
 STORAGE TEMPERATURE _____ -40°C ~ 100°C

CUSTOMER USE DRAWING

		BIVAR [®]	
CAGE CODE:	32559	DRAWING NO: PM5-S17XXX	REVISION: D
SHEET SIZE:	A	SCALE: 1.5:1	SHEET # 2 OF 2
CAD GENERATED DOCUMENT, DO NOT MEASURE DRAWING			

Looking for pricing, stock, or lifecycle information?

Click below to explore more details on WIN SOURCE:

 [View PM5-S17Y28V on WIN SOURCE](#)

 [Bivar Inc. Information](#)

Optimize Your Supply Chain with WIN SOURCE Solutions

-  Global Sourcing Solution
-  Obsolete Management
-  Cost Control Management
-  Shortage Management
-  Alternative Solution
-  Excess Inventory Management