

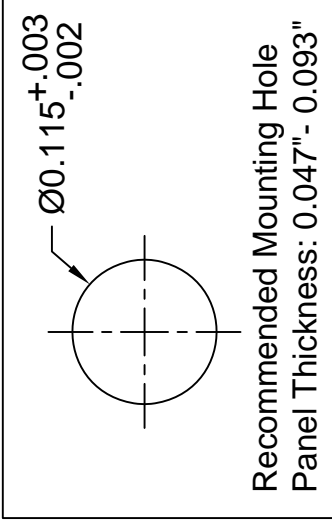
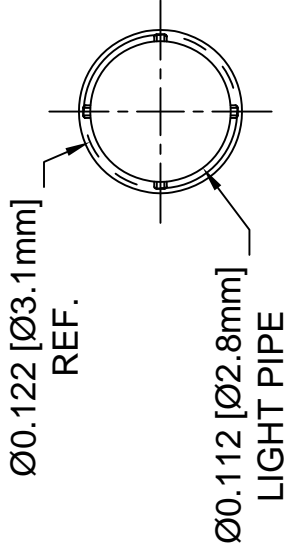
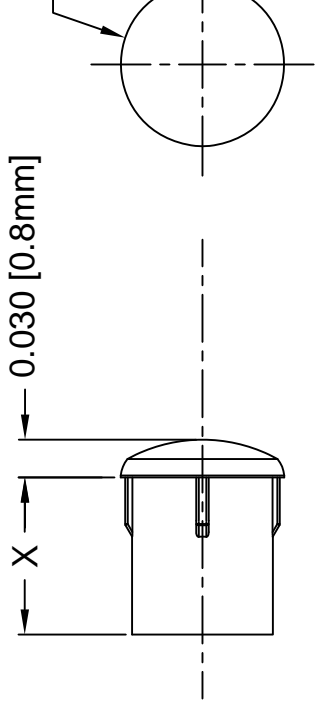


THE DATASHEET OF PLP2-3MM-S



Part No.	X = Body Length
PLP2-100-S	0.100 (2.5mm)
PLP2-125-S	0.125 (3.2mm)
PLP2-2.5MM-S	2.5mm (0.100")
PLP2-3MM-S	3mm (0.118")

REV.	DATE
A	Engineering Release



STANDARD TOLERANCES (UNLESS OTHERWISE SPECIFIED)	
DECIMALS	ANGULAR
.X ±.1	X°
.XX ±.01	
.XXX ±.005	

- MATERIAL: POLYCARBONATE, 94V-0, BLACK DIFFUSED.
- GENERAL SPECIFICATIONS: BIVAR MOLDED COMPONENT SPECIFICATION BV00-E101 and BSMC-1001.

DESIGNED:	DATE:
Brian Oliver	04/0
CHECKED:	DATE:
A. Wright	04/0

Looking for pricing, stock, or lifecycle information?

Click below to explore more details on WIN SOURCE:

 [View PLP2-3MM-S on WIN SOURCE](#)

 [Bivar Inc. Information](#)

Optimize Your Supply Chain with WIN SOURCE Solutions

-  Global Sourcing Solution
-  Obsolete Management
-  Cost Control Management
-  Shortage Management
-  Alternative Solution
-  Excess Inventory Management