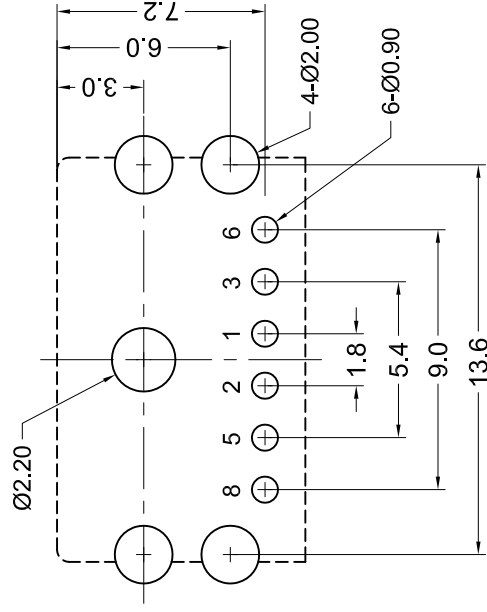
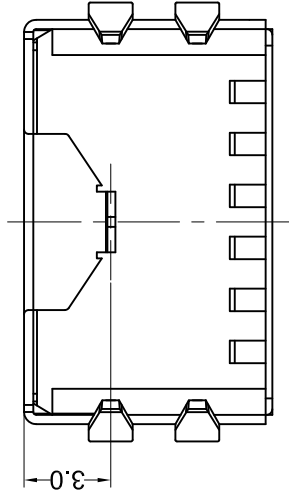
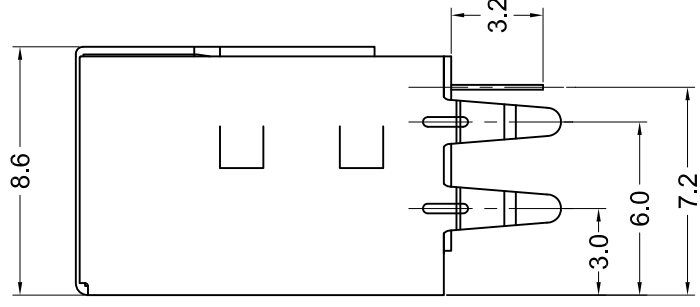
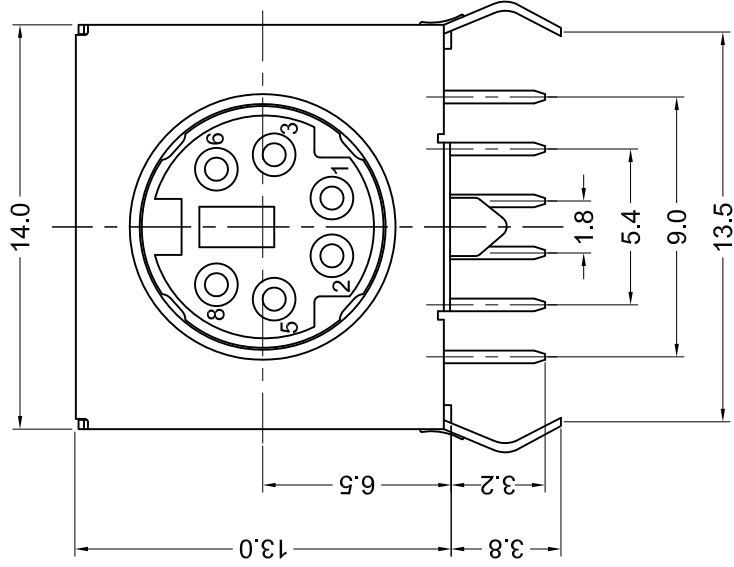




THE DATASHEET OF KMDTX-HT-6S-BSC





Recommended PCB Layout
(Bottom View)

RoHS COMPLIANT

REV.	DATE	DESCRIPTION	REV. BY	CHK. BY	DRAWN BY	DATE
A1	08/09/05	New Drawing	R. Aguirre	H. MA	R. Aguirre	08/02/05
A2	09/06/05	Change shield plating	R. Aguirre	H. MA	R. Aguirre	08/02/05
B1	12/30/08	ECO # 08-056	S. Vien	H. MA		UNITS
B2	07/07/13	ECO #13-001	S. Vien	P. DalCanto		mm
B3	06/10/14	ECO #14-021	D. Gih	H. MA		
B4	04/12/18	Update Address	J. Elbanna	C. Furumasa		

KMDTX-HT-6S-BSC

Mini-DIN, Low Profile, Right Angle, RoHS

Crimped Side Tabs, Fully

Looking for pricing, stock, or lifecycle information?

Click below to explore more details on WIN SOURCE:

 [View KMDTX-HT-6S-BSC on WIN SOURCE](#)

 [Kycon, Inc. Information](#)

Optimize Your Supply Chain with WIN SOURCE Solutions

-  Global Sourcing Solution
-  Obsolete Management
-  Cost Control Management
-  Shortage Management
-  Alternative Solution
-  Excess Inventory Management