



**THE DATASHEET OF
RP3502ABLK**





SERIES RP 3502 SWITCHES

PUSHBUTTON SWITCHES - PANEL MOUNT

TACT SWITCHES

NAVIGATION SWITCHES

PUSHBUTTON SWITCHES

TOGGLE SWITCHES

ROCKER SWITCHES

SLIDE SWITCHES

SNAP-ACTION SWITCHES

DIP SWITCHES

KEYLOCK SWITCHES

ROTARY SWITCHES

DETECTOR SWITCHES

CAP OPTIONS



SPECIFICATIONS

Contact Rating: 3A @ 120 VAC
1.5A @ 250 VAC

Life Expectancy (Mechanical): 6,000 cycles

Life Expectancy (Electrical): 6,000 cycles

Contact Resistance: 50mΩ (initial max.)

Insulation Resistance: 500MΩ min.

Dielectric Strength: 1,000 VAC 1 minute

Operating Temperature: -20°C to +65°C

MATERIALS

Plastic: Nylon (UL flame: 94V-2)

Metal: Nickel plated brass

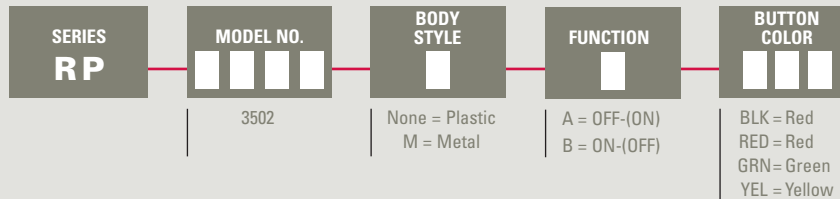
FEATURES & BENEFITS

- ▶ Single Pole, Single throw with momentary function
- ▶ Rugged, Panel mount design
- ▶ Available in Nylon or metal frame body

APPLICATIONS/MARKETS

- ▶ Test & Instrumentation
- ▶ Industrial controls
- ▶ Telecommunications
- ▶ Networking

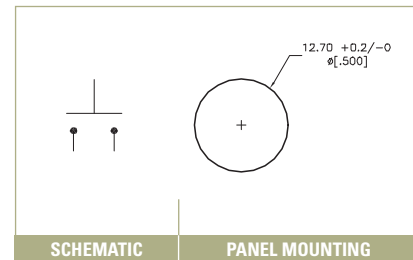
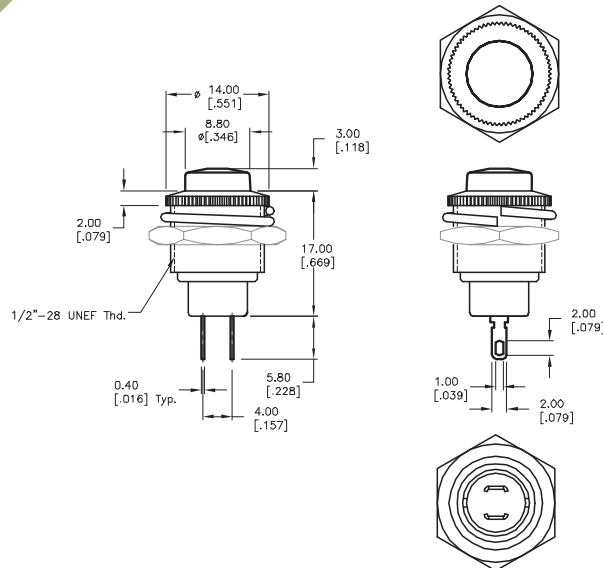
HOW TO ORDER



▶ ▶ ▶ Example Ordering Number
RP-3502-M-A-BLK

Specifications subject to change without notice.

RP 3502



Looking for pricing, stock, or lifecycle information?

Click below to explore more details on WIN SOURCE:

 [View RP3502ABLK on WIN SOURCE](#)

 [E-SWITCH](#) Information

Optimize Your Supply Chain with WIN SOURCE Solutions

-  Global Sourcing Solution
-  Obsolete Management
-  Cost Control Management
-  Shortage Management
-  Alternative Solution
-  Excess Inventory Management