

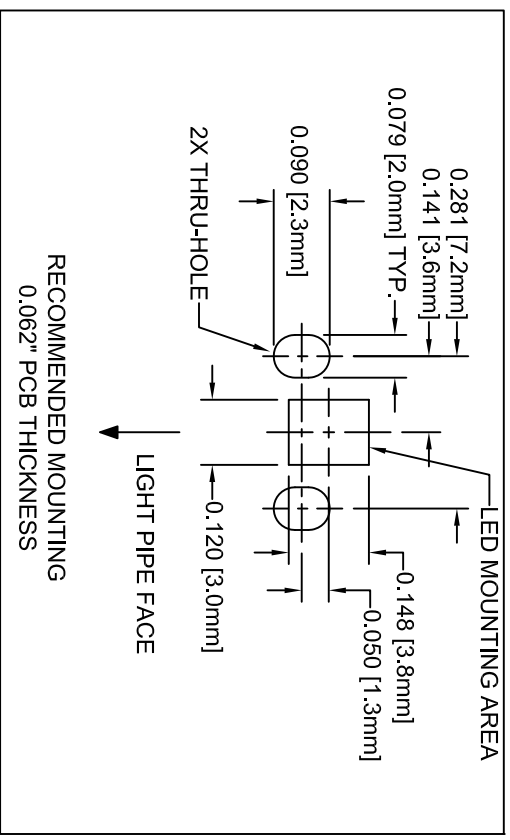
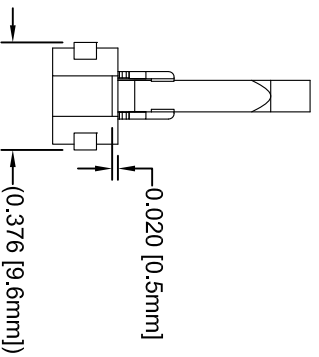
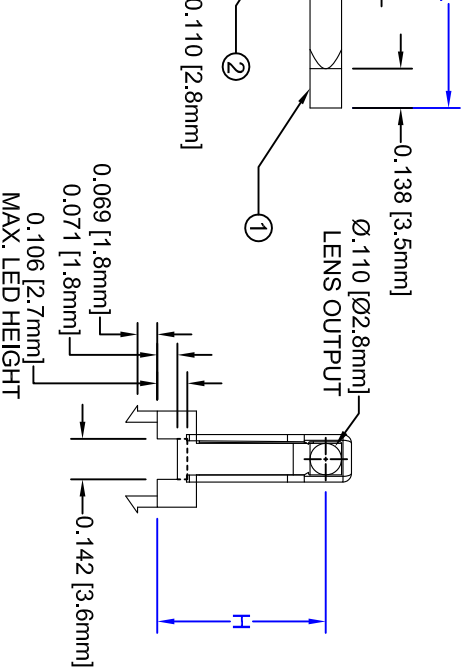
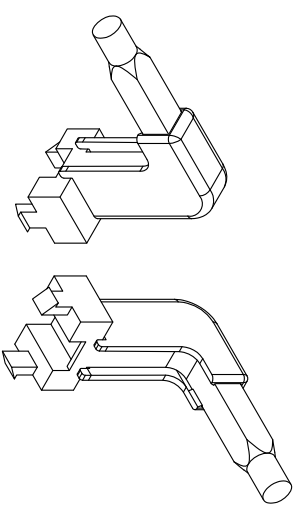
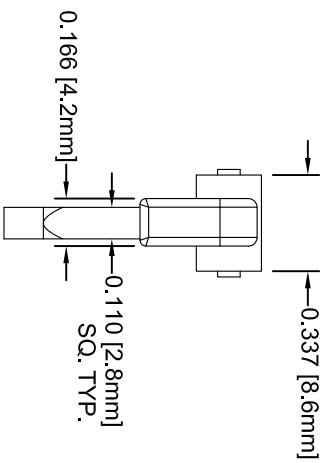


**THE DATASHEET OF
RLP1-400-500**



REV.	DESCRIPTION	DATE	APPROVED
A	Engineering Release	11/06/09	T. Y.
B	Added Overall Height "K" Dim	03/04/11	T. Y.
C	Added Overall Snap Height Dimension	08/15/12	T. Y.
D	Added Color Options. Sheet #3	02/02/16	J. C.
E	ECO-1066: Updated Mounting Hole Dimensions	08/11/20	A. V.

REV.	DESCRIPTION	DATE	APPROVED
A	Engineering Release	11/06/09	T. Y.
B	Added Overall Height "K" Dim	03/04/11	T. Y.
C	Added Overall Snap Height Dimension	08/15/12	T. Y.
D	Added Color Options. Sheet #3	02/02/16	J. C.
E	ECO-1066: Updated Mounting Hole Dimensions	08/11/20	A. V.



STANDARD TOLERANCE
(UNLESS OTHERWISE SPECIFIED)

DECIMALS
.X ± .1
.XX ± .01
.XXX ± .010

ANGULAR
X° ± 1°



BVVR
4 THOMAS, IRVINE, CA, 92618
TEL: (949) 951-8808 FAX: (949) 951-3974

DESIGNED: R. Paje	DATE: 11/06/09	PART NO.: RLP1-XXX-XXX	REVISION: E
REVISED: K. Baron	DATE: 08/11/20	SHEET SIZE A	CAGE CODE: 32559
CHECKED: A. Valdez	DATE: 08/11/20	SCALE: 1:1	SHEET # 1 OF 3

TITLE: RIGHT ANGLE LIGHT PIPE,
2.8MM, SINGLE STATION

CPD GENERATED DOCUMENT, DO NOT MEASURE DRAWING

REV.	DESCRIPTION	DATE	APPROVED
SEE SHEET #1			

RLP1-XXX-XXX

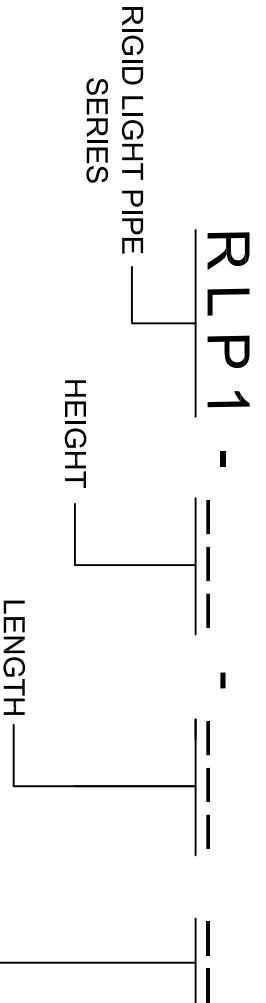
N	H	L	K			FIGURE
500	0.197 [5.0mm]	0.551 [14.0 mm]	0.287 [7.3mm]	LPR1-XXX-XXX	RLPH1-XXX	
300		0.669 [17.0mm]		LPR1-200-500	RLPH1-200	
500	0.394 [10.0mm]	0.787 [20.0mm]	0.484 [12.3mm]	LPR1-200-800	RLPH1-200	
300		0.551 [14.0 mm]		LPR1-400-500	RLPH1-400	
550	0.591 [15.0mm]	0.669 [17.0mm]	0.681 [17.3mm]	LPR1-400-650	RLPH1-400	
300		0.787 [20.0mm]		LPR1-400-800	RPH1-400	
500	0.787 [20.0mm]	0.551 [14.0 mm]	0.681 [17.3mm]	LPR1-600-500	RLPH1-600	
300		0.669 [17.0mm]		LPR1-600-650	RLPH1-600	
300	0.591 [15.0mm]	0.787 [20.0mm]	0.681 [17.3mm]	LPR1-600-800	RLPH1-600	
300		0.669 [17.0mm]		LPR1-600-800	RLPH1-600	

CAGE CODE:	32559	PART NO.:	RLP1-XXX-XXX	REVISION:	E
SHEET SIZE:	A	SCALE:	1:1	SHEET #	2 OF 3
CAD GENERATED DOCUMENT. DO NOT MEASURE DRAWING.					



REV.	DESCRIPTION	DATE	APPROVED
	SEE SHEET #1		

RRS
INFORMATION



COLOR	Order Code
BLUE	BE
BLACK	BK
GREEN	GN
GRAY	GY
RED	RD
YELLOW	YW

NOTE: LEAVE ORDER CODE BLANK
 IF NO COLOR IS DESIRED.

EMBLIES WILL BE DYED.
 OR UPON REQUEST.

CAGE CODE:	32559
SHEET SIZE:	A

BVVR	
PART NO:	RLP1-XXX-XXX
REVISION:	E
SCALE:	1:1
SHEET #	3 OF 3
CAD GENERATED DOCUMENT. DO NOT MEASURE DRAWING.	

Looking for pricing, stock, or lifecycle information?

Click below to explore more details on WIN SOURCE:

- ⊖ [View RLP1-400-500 on WIN SOURCE](#)
- ⊖ [Bivar Inc. Information](#)

Optimize Your Supply Chain with WIN SOURCE Solutions

- ✓ Global Sourcing Solution
- ✓ Obsolete Management
- ✓ Cost Control Management
- ✓ Shortage Management
- ✓ Alternative Solution
- ✓ Excess Inventory Management