



**THE DATASHEET OF  
IFX1117GSV**



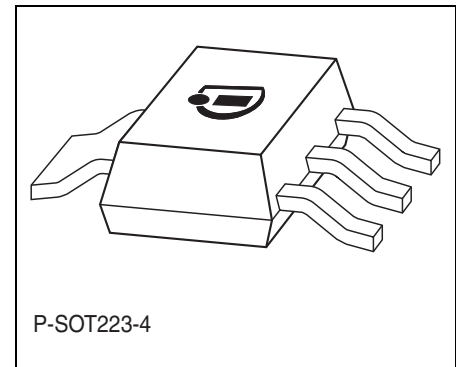
## Voltage Regulator

IFX 1117

### Data Sheet

#### Features

- Output voltage 3.3 V or adjustable
- 1.0 A output current
- Low drop voltage < 1.2 V @ 800 mA
- Short circuit protected
- Overtemperature protected
- Operating range up to 15 V
- Industrial type



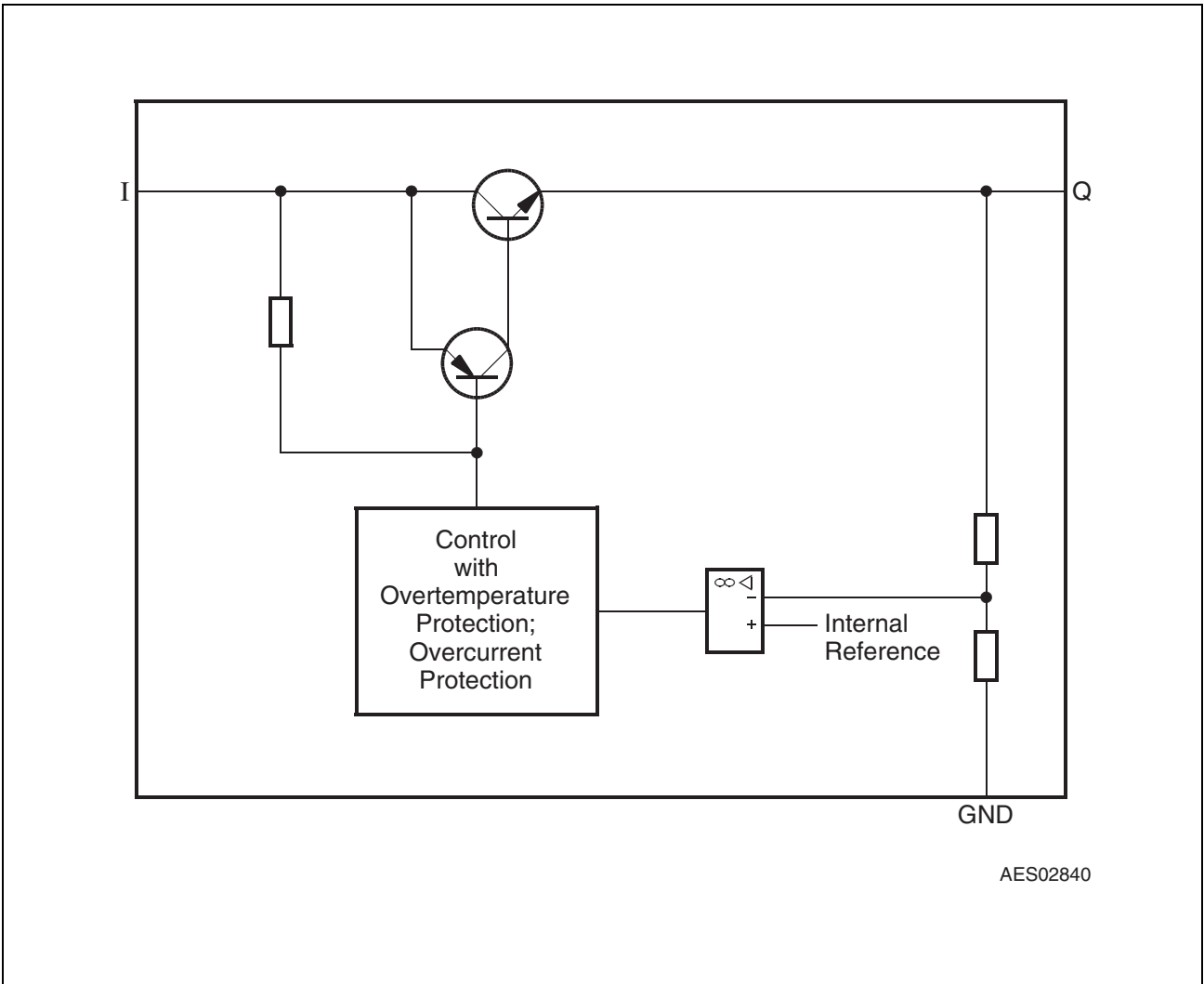
#### Functional Description

The IFX 1117 is a monolithic integrated fixed NPN type voltage regulator that can supply loads up to 1.0 A. The device is housed in the small surface mounted SOT223 package. The IC is equipped with additional protection against overload, short circuit and overtemperature.

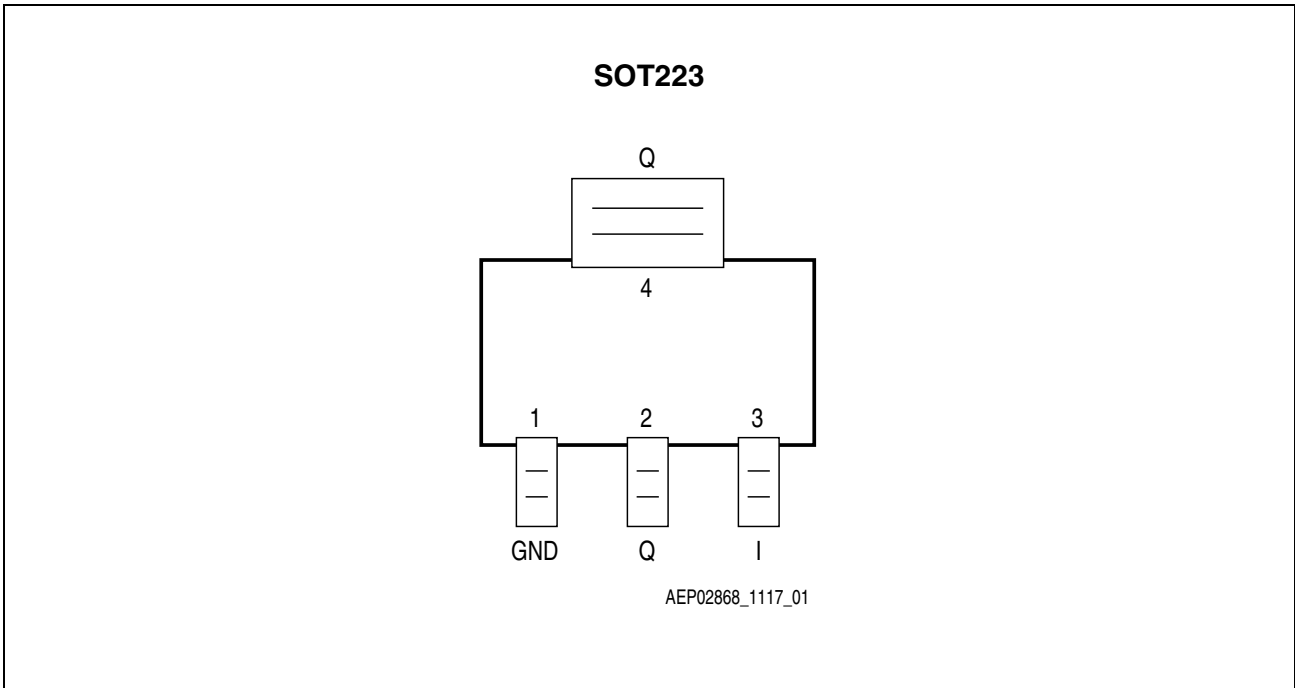
The IFX 1117 GSV33 supplies a regulated output voltage of 3.3 V ( $\pm 2\%$ ). The IFX 1117 GSV supplies an output voltage with  $\pm 2\%$  precision adjustable via an external voltage divider. The input voltage for the IFX 1117 GSV33 ranges from 4.5 V ( $= V_Q + V_{DR}$ ) to 15 V for a load current of 800 mA, for the maximum load current of 1.0 A a minimum input voltage of 4.7 V is required. The drop voltage  $V_{DR}$  ranges from 1.1 V to 1.4 V depending on the load current level.

The device operates in the temperature range of  $T_j = 0$  to 125 °C.

Type	Ordering Code	Package
IFX 1117 GSV33	Q67006-A9681	P-SOT223-4-6
		P-SOT223-4-4
IFX 1117 GSV	Q67006-A9680	P-SOT223-4-6
		P-SOT223-4-4



**Figure 1** Block Diagram for Fixed Output Voltage IFX 1117 GSV33



**Figure 2 Pin Configuration IFX 1117 GSV33 (top view)**

**Table 1 Pin Definitions and Functions IFX 1117 GSV33**

Pin No.	Symbol	Function
1	GND	<b>Ground</b>
2	Q	<b>Output;</b> Connect output pin to GND via a capacitor $C_Q \geq 10 \mu\text{F}$ with $\text{ESR} \leq 20 \Omega$ (see also graph “Region of Stability”)
3	I	<b>Input</b>
4 (Heatsink)	Q	<b>Output;</b> Connect to pin 2

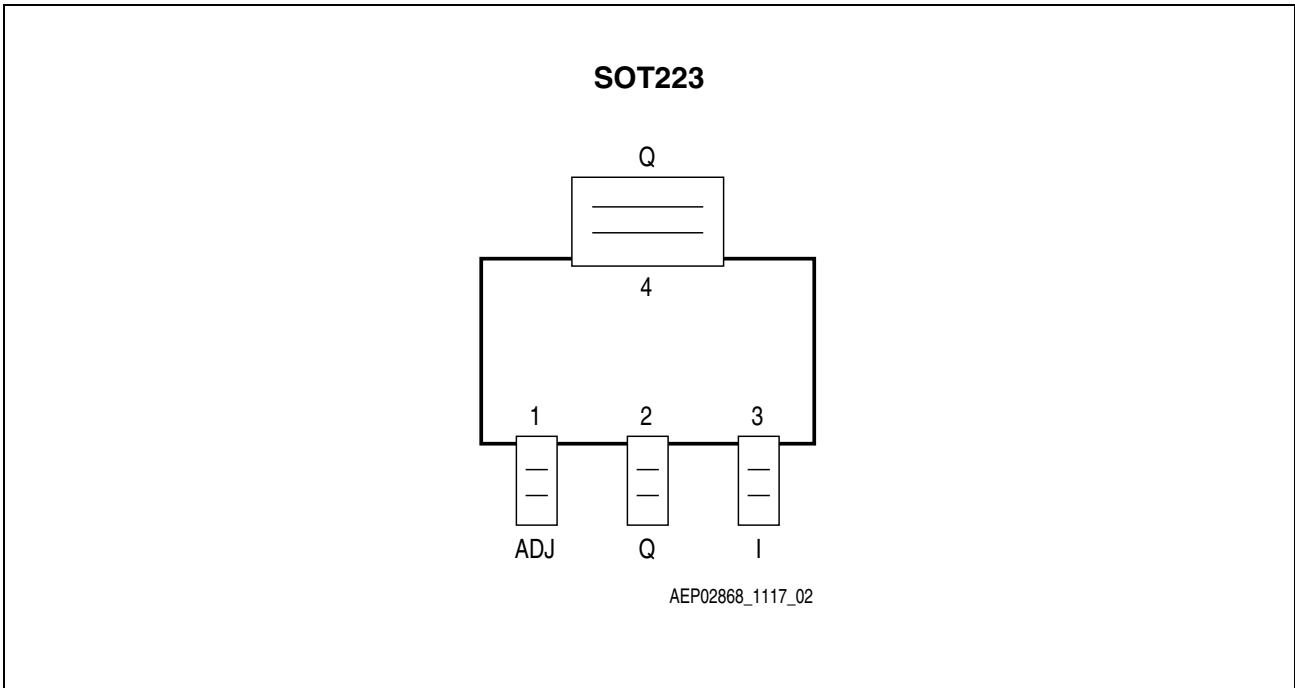


Figure 3 Pin Configuration IFX 1117 GSV (top view)

Table 2 Pin Definitions and Functions IFX 1117 GSV

Pin No.	Symbol	Function
1	ADJ	<b>Adjust;</b> defines output voltage level by external voltage divider between Q, ADJ and GND.
2	Q	<b>Output;</b> Connect output pin to GND via a capacitor $C_Q \geq 10 \mu\text{F}$ with $\text{ESR} \leq 20 \Omega$ (see also graph “Region of Stability”).
3	I	<b>Input</b>
4 (Heatsink)	Q	<b>Output;</b> Connect to pin 2

**Table 3 Absolute Maximum Ratings**

Parameter	Symbol	Limit Values		Unit	Test Condition
		Min.	Max.		
<b>Input - Output Voltage Difference (variable device only)</b>					
Voltage	$V_I - V_Q$	-0.3	20	V	–
<b>Input Voltage (fixed voltage version only)</b>					
Voltage	$V_I$	-0.3	20	V	–
<b>Output</b>					
Voltage	$V_Q$	-0.3	20	V	–
Current	$I_Q$	–	–	–	Internally limited
<b>ESD Rating</b>					
Electrostatic discharge voltage	$V_{ESD}$	-2	2	kV	Human Body Model
<b>Temperature</b>					
Storage temperature	$T_{stg}$	-50	150	°C	–
Junction temperature	$T_j$	-40	150	°C	–

*Note: Stresses above those listed here may cause permanent damage to the device. Exposure to absolute maximum rating conditions for extended periods may affect device reliability.*

**Table 4 Operating Range**

Parameter	Symbol	Limit Values		Unit	Remarks
		Min.	Max.		
Input Voltage	$V_I$	$V_Q + V_{DR}$	15	V	–
Junction temperature	$T_j$	0	125	°C	–

**Table 5 Thermal Resistance**

Junction ambient	$R_{thja}$	–	164	K/W	P-SOT223, no airflow, no heat sink area
		–	81	K/W	P-SOT223 300 mm <sup>2</sup> heat sink area
Junction case	$R_{thjc}$	–	4	K/W	–

*Note: In the operating range, the functions given in the circuit description are fulfilled.*

**Characteristics 3.3 V Fixed Output Voltage Device IFX 1117 GSV33**
 $0\text{ }^{\circ}\text{C} < T_j < 125\text{ }^{\circ}\text{C}$ ;  $V_I = 5\text{ V}$ ,  $I_Q = 10\text{ mA}$ ; unless otherwise specified.

Parameter	Symbol	Limit Values			Unit	Measuring Conditions
		min.	typ.	max.		
Output voltage	$V_Q$	3.23 5	3.300	3.36 5	V	$0\text{ mA} \leq I_Q \leq 800\text{ mA}$ $4.7\text{ V} \leq V_I \leq 10\text{ V}$
Output voltage	$V_Q$	–	3.300	–	V	$0\text{ mA} \leq I_Q \leq 1000\text{ mA}$ ; $4.7\text{ V} \leq V_I \leq 15\text{ V}$
Line regulation	$\Delta V_Q$	–	1	6	mV	$4.7\text{ V} \leq V_I \leq 15\text{ V}$
Load regulation	$\Delta V_Q$	–	1	10	mV	$0\text{ mA} \leq I_Q \leq 800\text{ mA}$ ; <sup>1)</sup>
		–	2	–	mV	$0\text{ mA} \leq I_Q \leq 1.0\text{ A}$ <sup>1)</sup>
Drop voltage	$V_{DR}$	–	1.00	1.10	V	$I_Q = 100\text{ mA}$ <sup>2)</sup>
Drop voltage	$V_{DR}$	–	1.05	1.15	V	$I_Q = 500\text{ mA}$ <sup>2)</sup>
Drop voltage	$V_{DR}$	–	1.10	1.20	V	$I_Q = 800\text{ mA}$ <sup>2)</sup>
Drop voltage	$V_{DR}$	–	1.30	1.40	V	$I_Q = 1.0\text{ A}$ <sup>2)</sup>
Current consumption; $I_q = I_I - I_Q$	$I_q$	–	5	10	mA	$I_Q = 10\text{ mA}$
Temperature stability	$\Delta V_Q$	–	16.5	–	mV	<sup>3)</sup>
Long Term Stability	–	–	0.3	–	%	<sup>3)</sup>
Current limit	$I_{Qmax}$	1100	–	2250	mA	$V_Q = 0.5\text{ V}$
RMS Output Noise	–	–	30	–	ppm	ppm of $V_Q$ , $T_j = 25\text{ }^{\circ}\text{C}$ $10\text{ Hz} \leq f \leq 10\text{ kHz}$ <sup>3)</sup>
Power Supply Ripple Rejection	$PSRR$	60	65	–	dB	$f_r = 120\text{ Hz}$ , $V_r = 1\text{ V}_{PP}$ <sup>3)</sup>

1) Measured at constant junction temperature

2) Drop voltage measured when the output voltage has dropped 100 mV from the nominal value obtained at  $V_I = 5.0\text{ V}$ .

3) Specified by design; not subject to production test.

**Characteristics Adjustable Output Voltage Device IFX 1117 GSV**
**0 °C < T<sub>j</sub> < 125 °C; V<sub>I</sub> = 5 V, I<sub>Q</sub> = 10 mA; unless otherwise specified.**

Parameter	Symbol	Limit Values			Unit	Measuring Conditions
		min.	typ.	max.		
Reference voltage	V <sub>Q</sub>	1.22 5	1.250	1.27 0	V	10 mA ≤ I <sub>Q</sub> ≤ 800 mA; 1.4 V ≤ (V <sub>I</sub> -V <sub>Q</sub> ) ≤ 10 V
Output voltage	V <sub>Q</sub>	–	1.250	–	V	10 mA ≤ I <sub>Q</sub> ≤ 1000 mA; 2.65 V ≤ V <sub>I</sub> ≤ 15 V
Line regulation	ΔV <sub>Q</sub>	–	0.035	0.2	% <sup>1)</sup>	1.5 V ≤ (V <sub>I</sub> -V <sub>Q</sub> ) ≤ 13.75 V
Load regulation	ΔV <sub>Q</sub>	–	0.2	0.4	% <sup>1)</sup>	10 mA ≤ I <sub>Q</sub> ≤ 800 mA; <sup>2)</sup>
		–	0.25	–	% <sup>1)</sup>	10 mA ≤ I <sub>Q</sub> ≤ 1.0 A <sup>2)</sup>
Drop voltage	V <sub>DR</sub>	–	1.00	1.10	V	I <sub>Q</sub> = 100 mA <sup>3)</sup>
Drop voltage	V <sub>DR</sub>	–	1.05	1.15	V	I <sub>Q</sub> = 500 mA <sup>3)</sup>
Drop voltage	V <sub>DR</sub>	–	1.10	1.20	V	I <sub>Q</sub> = 800 mA <sup>3)</sup>
Drop voltage	V <sub>DR</sub>	–	1.30	1.40	V	I <sub>Q</sub> = 1.0 A <sup>3)</sup>
Minimum Load Current <sup>4)</sup>	I <sub>q</sub>	–	1.7	5.0	mA	V <sub>I</sub> = 15 V
Adjust Current	I <sub>ADJ</sub>	–	100	120	μA	I <sub>Q</sub> = 10 mA
Adjust Current Change	ΔI <sub>ADJ</sub>	–	2	5	μA	1.4 V ≤ (V <sub>I</sub> -V <sub>Q</sub> ) ≤ 13.6 V; 10 mA ≤ I <sub>Q</sub> ≤ 800 mA
Temperature stability	ΔV <sub>Q</sub>	–	0.5	–	% <sup>1)</sup>	<sup>5)</sup>
Long Term Stability	–	–	0.3	–	% <sup>1)</sup>	<sup>5)</sup>
Current limit	I <sub>Qmax</sub>	1100	–	2250	mA	V <sub>Q</sub> = 0.5 V
RMS Output Noise	–	–	30	–	ppm	ppm of V <sub>Q</sub> , T <sub>j</sub> = 25 °C 10 Hz ≤ f ≤ 10 kHz <sup>5)</sup>
Power Supply Ripple Rejection	PSRR	65	70	–	dB	f <sub>r</sub> = 120 Hz, V <sub>r</sub> = 1 V <sub>PP</sub> <sup>5)</sup>

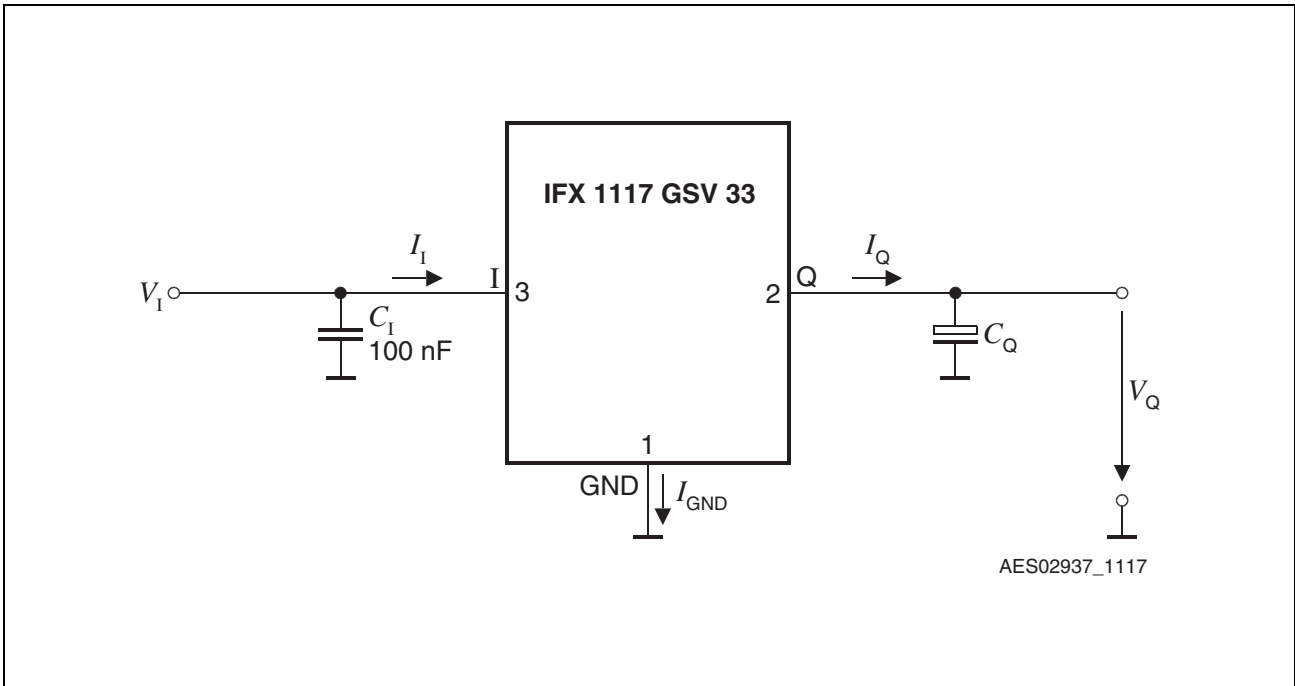
1) Related to V<sub>Q</sub>

2) Measured at constant junction temperature

3) Drop voltage measured when the output voltage has dropped 100 mV from the nominal value obtained at V<sub>I</sub> = 5.0 V.

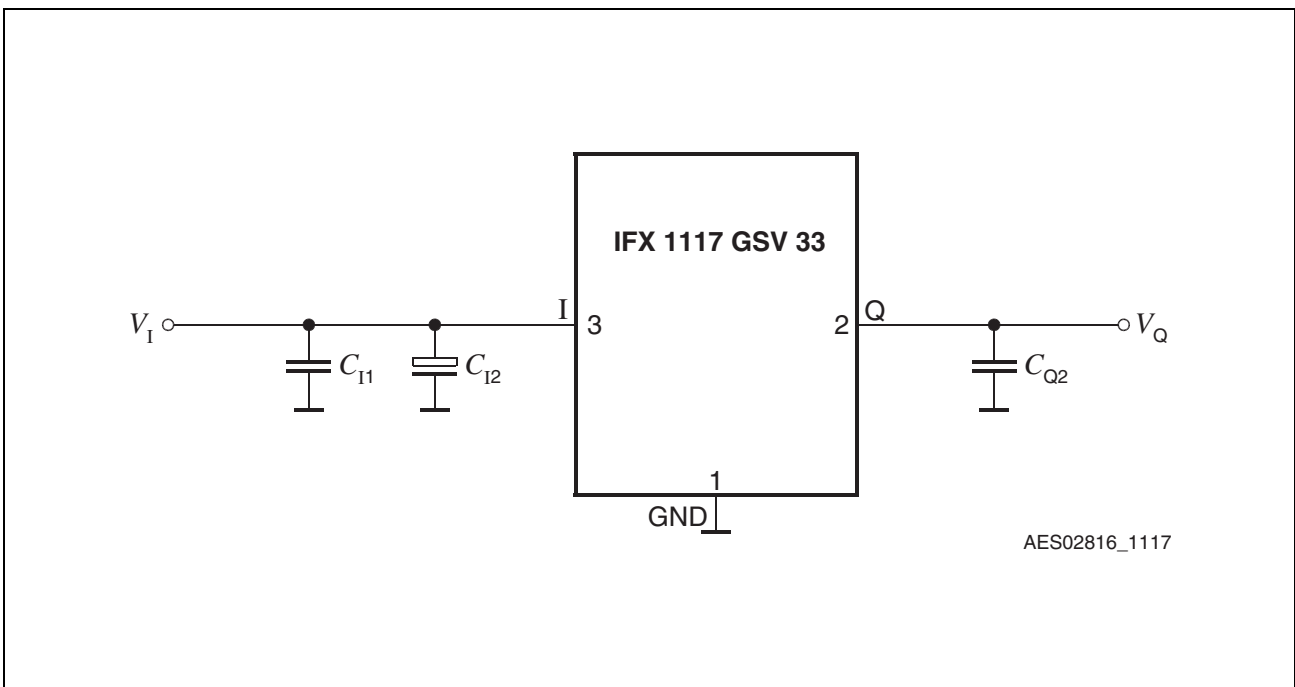
4) Minimum load current required to maintain regulation

5) Specified by design; not subject to production test.



**Figure 4 Measuring Circuit**

**Application Information**



**Figure 5 Typical Application Circuit IFX 1117 GSV33**

### Output

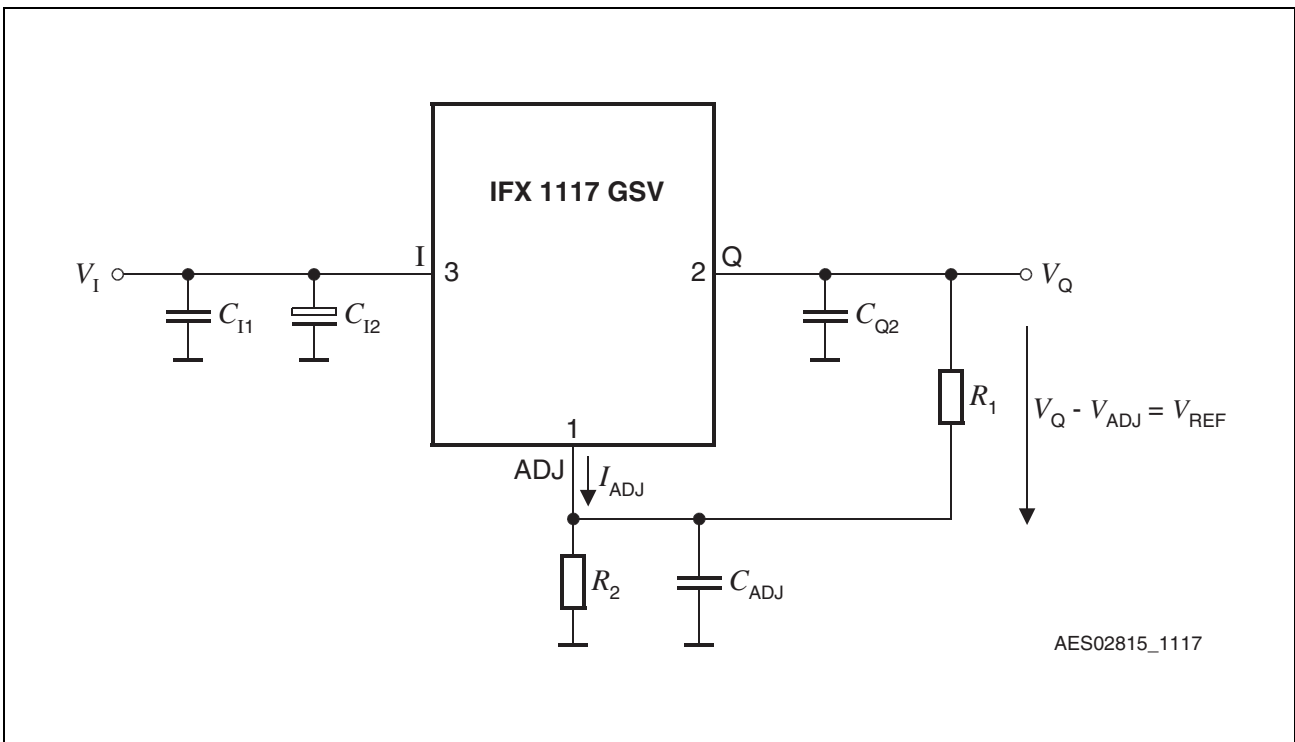
The IFX 1117 requires a 10  $\mu\text{F}$  output capacitor with  $\text{ESR} \leq 20 \Omega$  for the stability of the regulation loop. The use of a tantalum output capacitor is recommended.

For the adjustable device IFX 1117 GSV the output voltage level can be defined by a voltage divider between Q, ADJ and GND.

The output voltage calculates:

$$V_Q = V_{\text{REF}} \times \left(1 + \frac{R_2}{R_1}\right) + I_{\text{ADJ}} \times R_2 \tag{1}$$

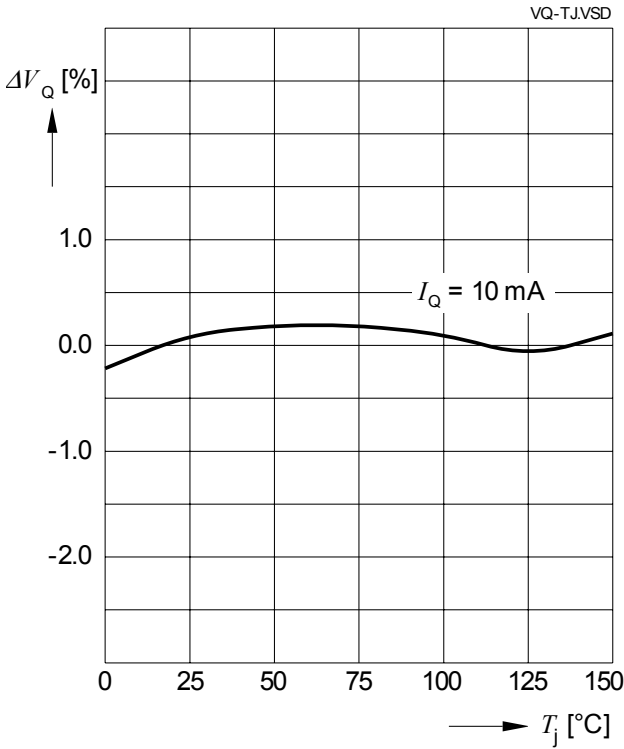
At the input of the regulator a capacitor is recommended to compensate line influences. As a minimum a 100 nF ceramic input capacitor should be used. If the regulator is used in an environment with long input lines an input capacitance of 10  $\mu\text{F}$  is suggested.



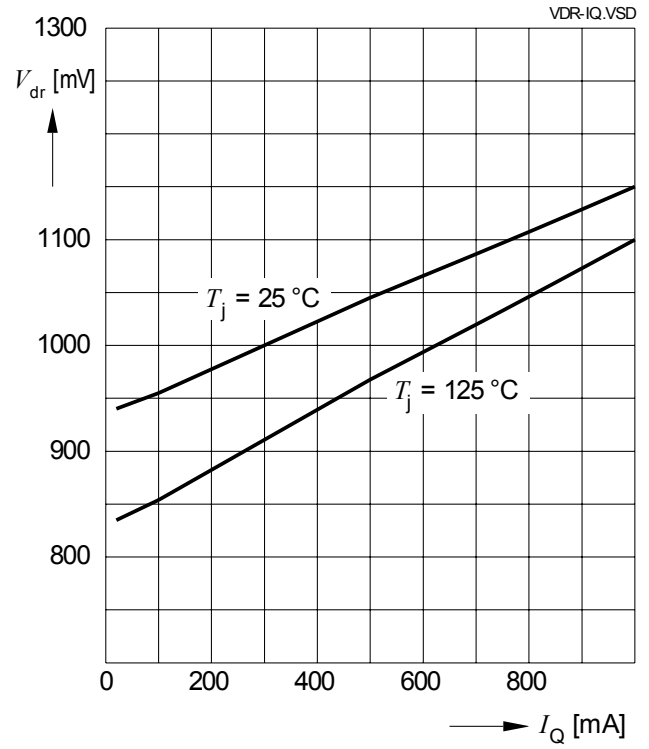
**Figure 6** Typical Application Circuit IFX 1117 GSV

Typical Performance Characteristics

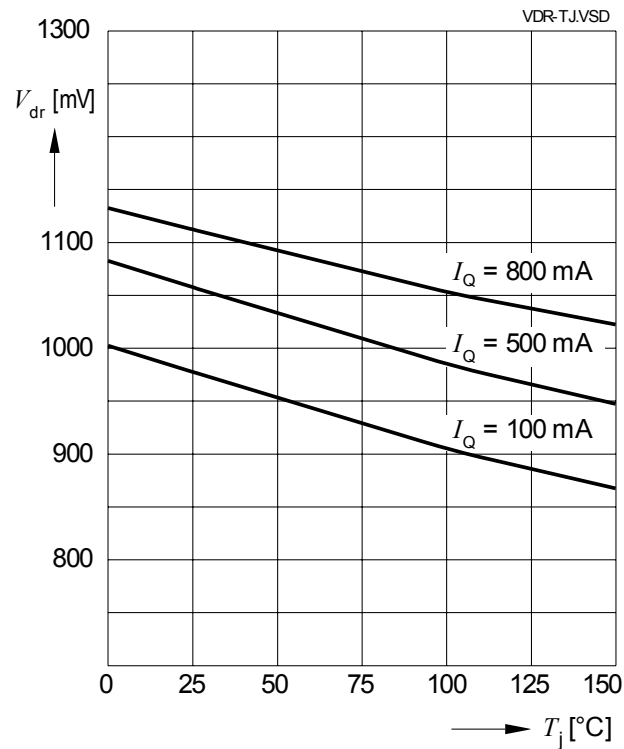
Output Voltage  $V_Q$  versus Junction Temperature  $T_j$



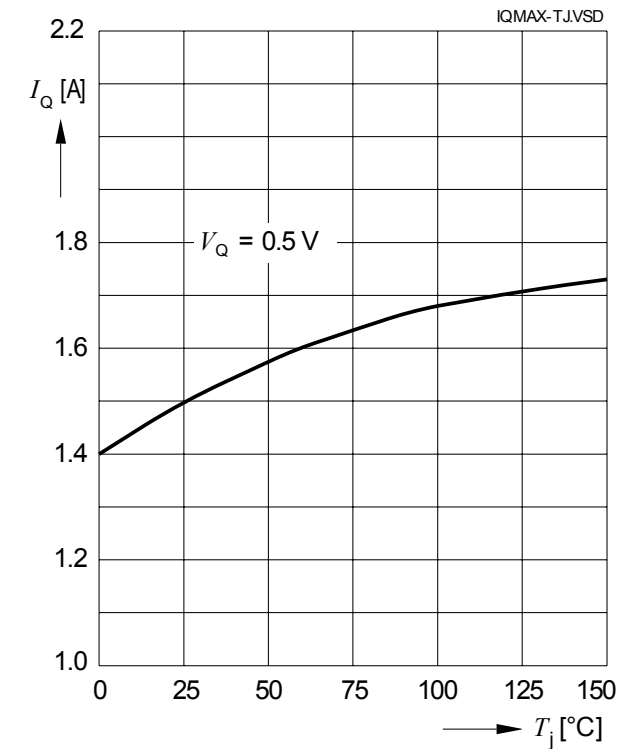
Dropout Voltage  $V_{dr}$  versus Output Current  $I_Q$



Dropout Voltage  $V_{dr}$  versus Junction Temperature  $T_j$

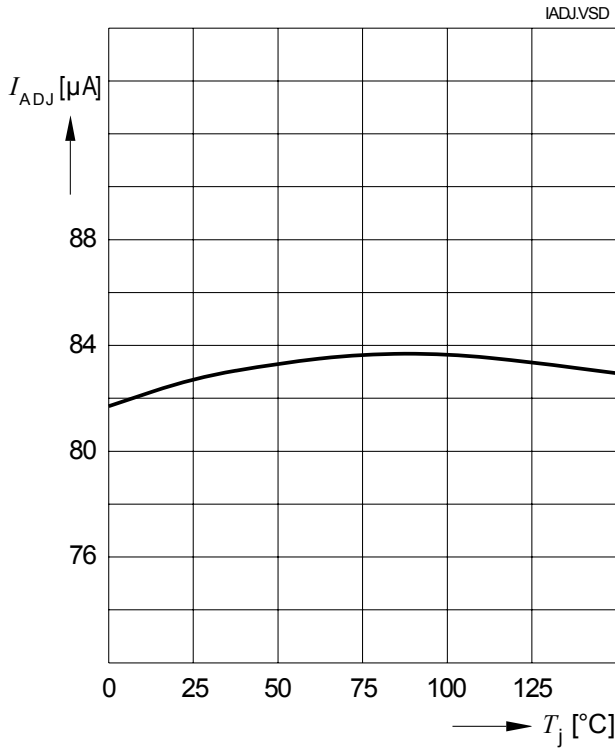


Maximum Output Current  $I_Q$  versus Junction Temperature  $T_j$

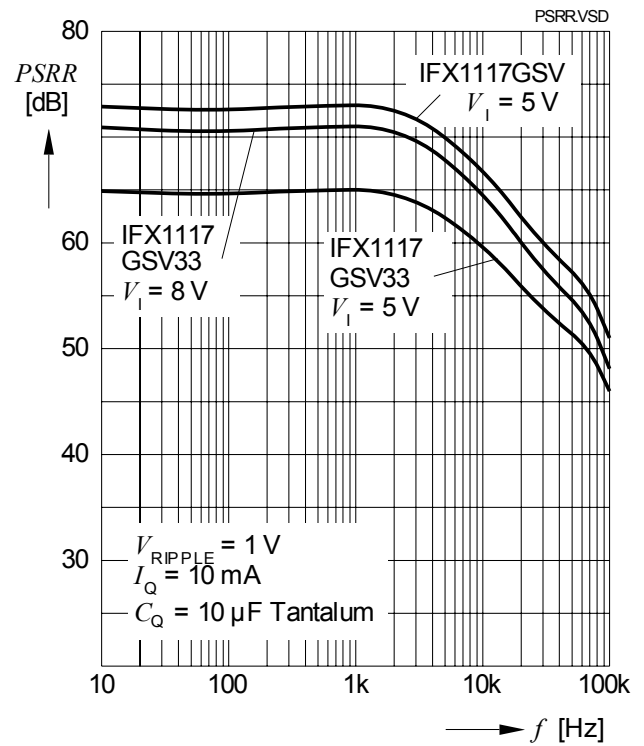


Typical Performance Characteristics

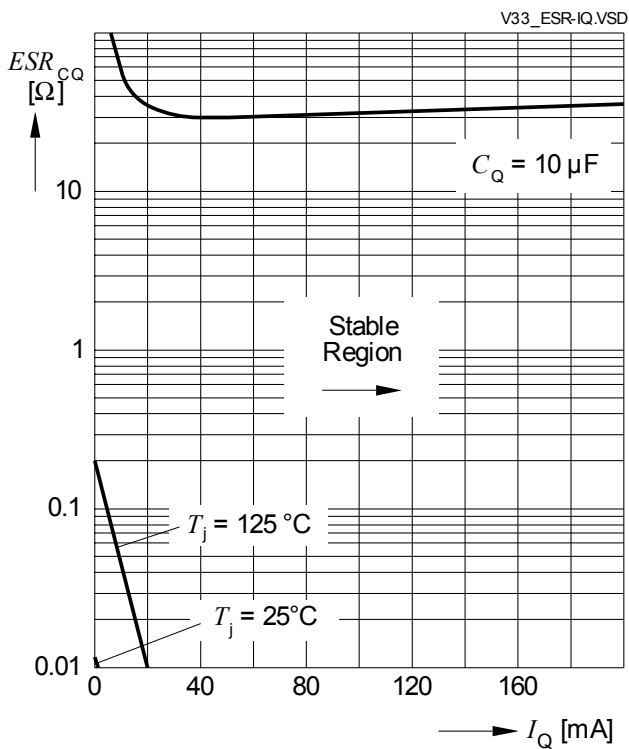
Adjust Pin Current  $I_{ADJ}$  versus Junction Temperature  $T_j$



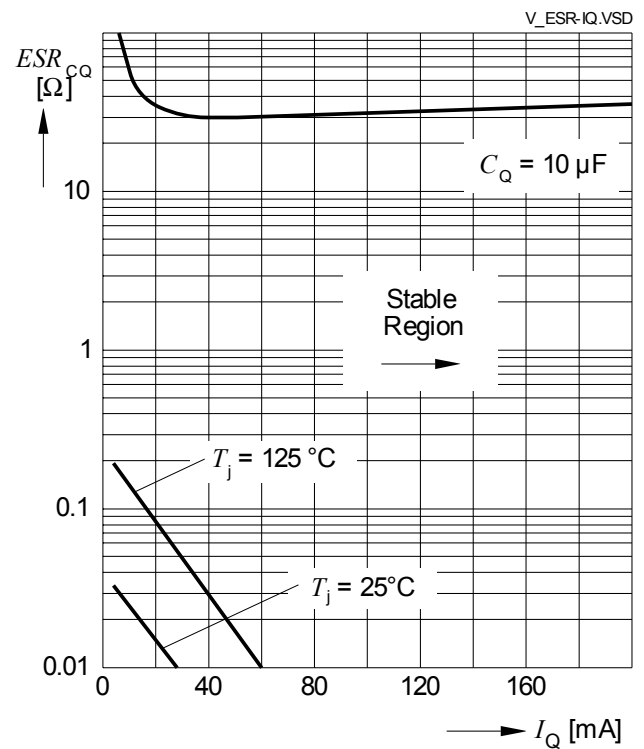
Power Supply Ripple Rejection  $PSRR$  versus Frequency  $f$



Region of Stability Version GSV33

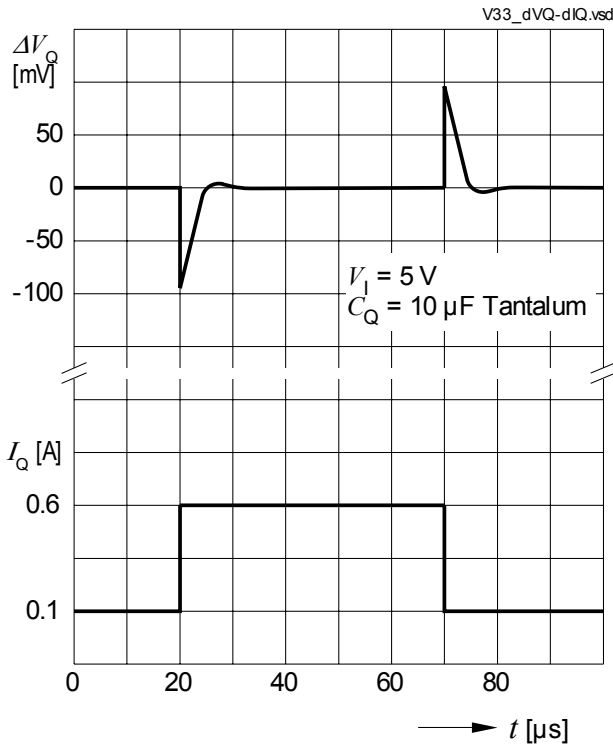


Region of Stability Version GSV

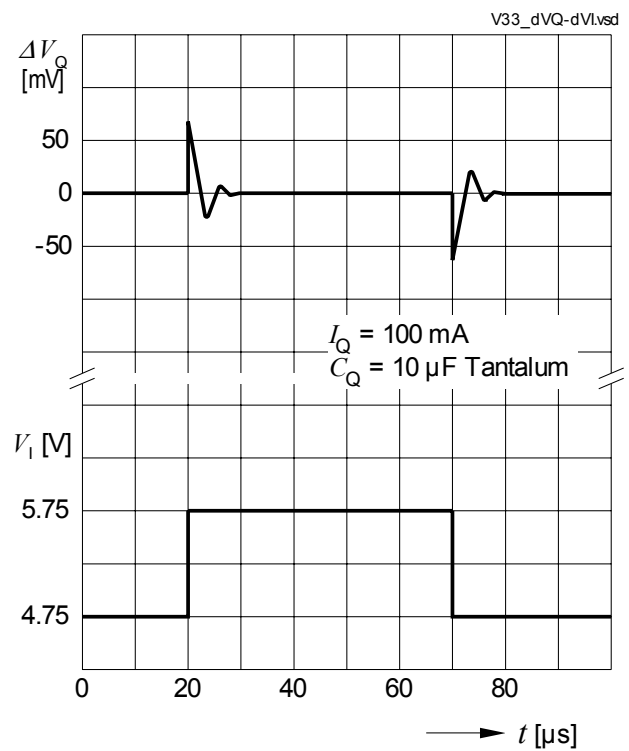


**Typical Performance Characteristics**

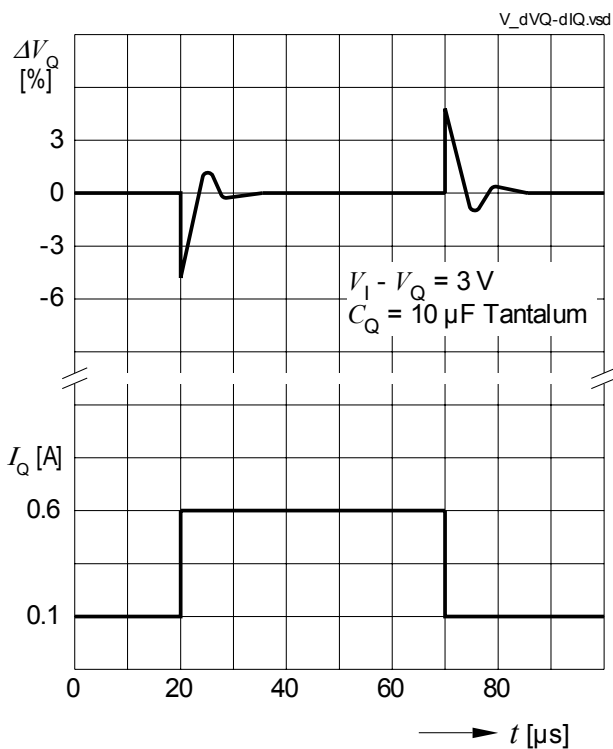
**Load Transient Response  
Version GSV33**



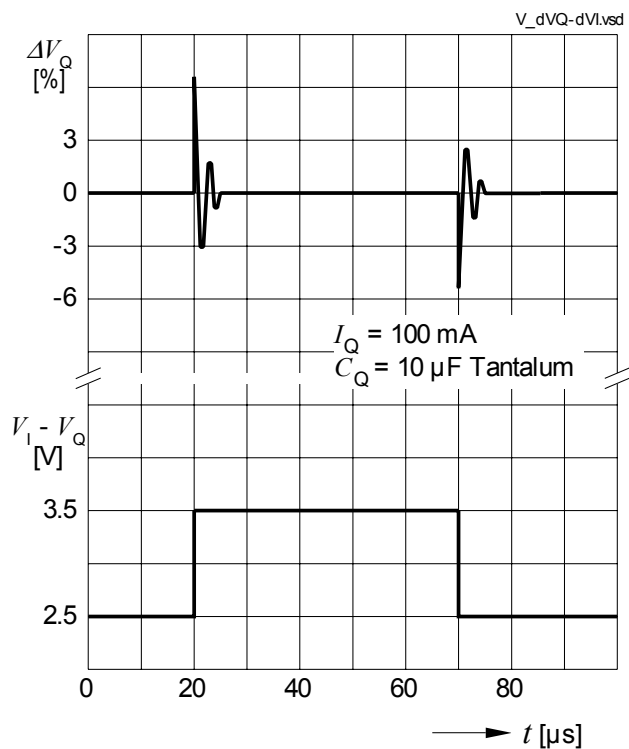
**Line Transient Response  
Version GSV33**



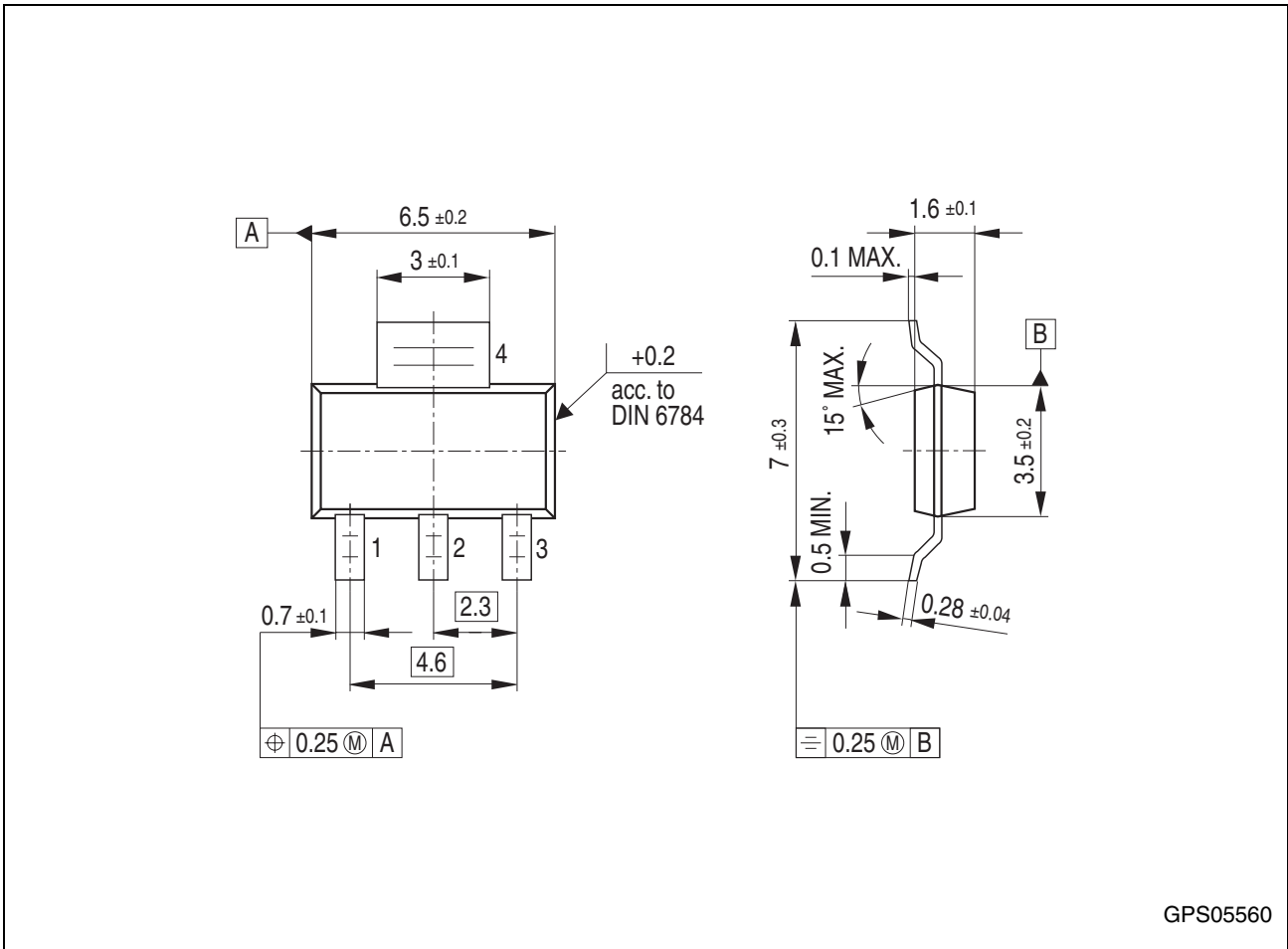
**Load Transient Response  
Version GSV**



**Line Transient Response  
Version GSV**



Package Outlines



GPS05560

Figure 7 P-SOT223-4-6, P-SOT223-4-4 (Plastic Small Outline Transistor)

You can find all of our packages, sorts of packing and others in our Infineon Internet Page "Products": <http://www.infineon.com/products>.

SMD = Surface Mounted Device

Dimensions in mm

---

**Revision History**

<b>Version</b>	<b>Date</b>	<b>Changes</b>
Rev. 1.0	2004-06-01	Final Data Sheet
Rev. 1.1	2004-07-20	"Typical Performance Characteristics" graphs added.

**Edition 2004-07-20**

**Published by Infineon Technologies AG,  
St.-Martin-Strasse 53,  
81669 München, Germany**

**© Infineon Technologies AG 2004.  
All Rights Reserved.**

**Attention please!**

The information herein is given to describe certain components and shall not be considered as a guarantee of characteristics.

Terms of delivery and rights to technical change reserved.

We hereby disclaim any and all warranties, including but not limited to warranties of non-infringement, regarding circuits, descriptions and charts stated herein.

**Information**

For further information on technology, delivery terms and conditions and prices please contact your nearest Infineon Technologies Office ([www.infineon.com](http://www.infineon.com)).

**Warnings**

Due to technical requirements components may contain dangerous substances. For information on the types in question please contact your nearest Infineon Technologies Office.

Infineon Technologies Components may only be used in life-support devices or systems with the express written approval of Infineon Technologies, if a failure of such components can reasonably be expected to cause the failure of that life-support device or system, or to affect the safety or effectiveness of that device or system. Life support devices or systems are intended to be implanted in the human body, or to support and/or maintain and sustain and/or protect human life. If they fail, it is reasonable to assume that the health of the user or other persons may be endangered.

This datasheet has been download from:

[www.datasheetcatalog.com](http://www.datasheetcatalog.com)

Datasheets for electronics components.

## Looking for pricing, stock, or lifecycle information?

Click below to explore more details on WIN SOURCE:

-  [View IFX1117GSV on WIN SOURCE](#)
-  [Infineon Technologies Information](#)

## Optimize Your Supply Chain with WIN SOURCE Solutions

-  Global Sourcing Solution
-  Obsolete Management
-  Cost Control Management
-  Shortage Management
-  Alternative Solution
-  Excess Inventory Management