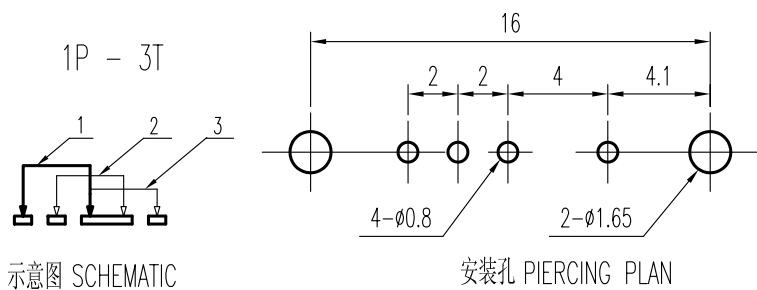
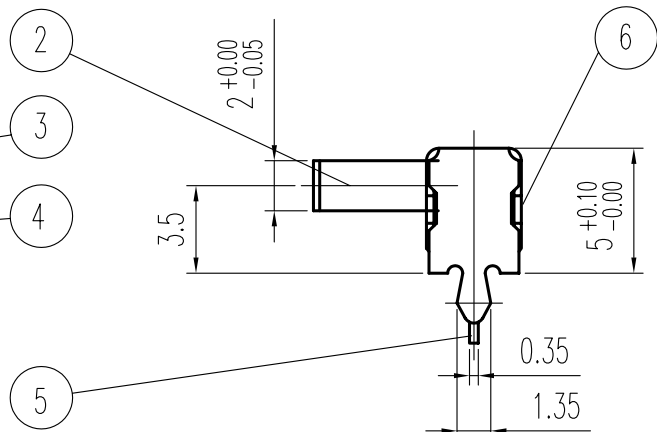
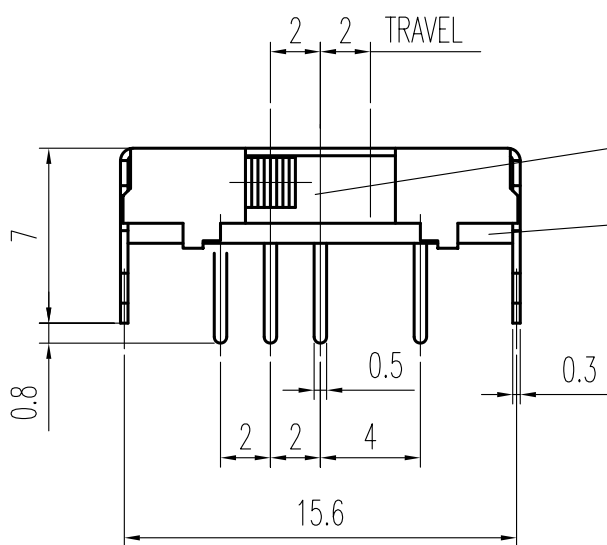
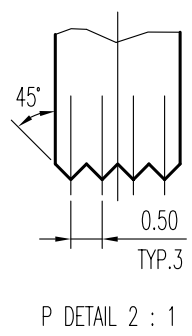
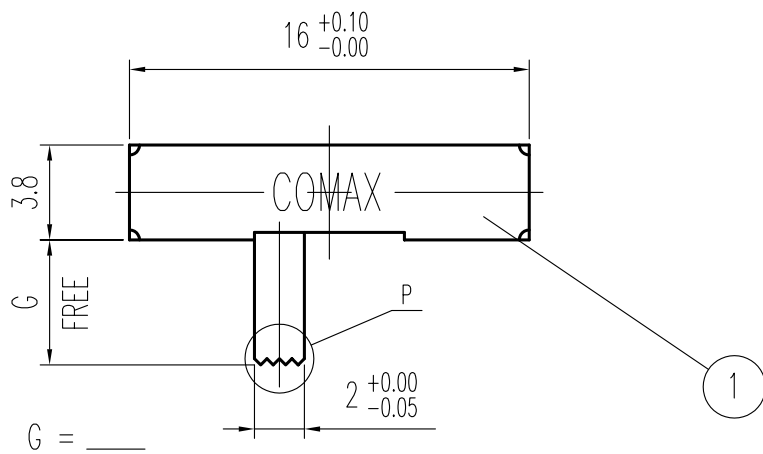




THE DATASHEET OF
SK-13D08-G 5 E





规格 Specifications

额定负荷 Ratings	DC 30 V 0.3 A
初期接触电阻 Initial Contact Resistance	30 mΩ Max.
绝缘电阻 Insulation Resistance	DC 500 V 60 Sec. 100 MΩ Min.
抗电强度 Dielectric	AC 500 V (50~60HZ) 60 Sec.

操作力 Operating Force (gf)	A → B	B → A
	C → B	B → C
负荷寿命 Operating Life With Load	150±50	200±100
	10,000	次 Cycles

6	弹片 SPRING	C5210R	1	NATURAL
5	端子 TERMINAL	C2680R ①	4	Ag PLATED
4	基板 TERMINAL BASE	PHENOL RESIN	1	YELLOW
3	接触片 CONTACT	C5210R ①	1	Ag CLAD
2	胶柄 KNOB	PA ①	1	G 2 - 6
1	铁壳 FRAME	S P T E	1	NATURAL
序 NO.	零件 PART	材料 MATERIAL	数量 QTY	备注 REMARKS

A01	POM → PA 见 ①	方勇	06-04-12
	ADD: 规格 Specifications 见 ①		
	C2680R-EH → C2680R 见 ①		
	C5210R-EH/Ag CLAD → C5210R 见 ①		
01		赖立辉	29 MAY 01
标号 REV	内容 DESCRIPTION	签名 SIGN.	日期 DATE
DWG NO. ITEM1919			

TOLERANCES UNLESS OTHERWISE SPEC.		TITLE	SIDE KNOB SLIDE SWITCH		ITEM NO	SK-13D08-G E		
UNDER 1	± 0.10	DRAWN	方勇	06-04-12	VERSION	A01	PAGE	1 OF 1
1 - 10	± 0.30	REVIEWED	张念明	06-04-12	SCALE		UNIT	mm
OVER 10	± 0.50	APPROVED	林高全	06-04-12	PROJECTION			

COMAX ELECTRONICS (HUIZHOU) CO.,LTD.

Looking for pricing, stock, or lifecycle information?

Click below to explore more details on WIN SOURCE:

 [View SK-13D08-G 5 E on WIN SOURCE](#)

 [C&K Components Information](#)

Optimize Your Supply Chain with WIN SOURCE Solutions

-  Global Sourcing Solution
-  Obsolete Management
-  Cost Control Management
-  Shortage Management
-  Alternative Solution
-  Excess Inventory Management