



**THE DATASHEET OF
NCP786LSTADJT3G**



Linear Regulator – Wide Input Voltage Range, Ultra-Low Iq, High PSRR, Adjustable Output Voltage

5 mA

NCP786L

The NCP786L is high-performance linear regulator, offering a very wide operating input voltage range of up to 450 V DC, with an output current of up to 5 mA. Ideal for high input voltage applications such as industrial and home metering, home appliances. The NCP786L family offers $\pm 5\%$ initial accuracy, extremely high-power supply rejection ratio and ultra-low quiescent current. The NCP786L family is optimized for high-voltage line and load transients, making them ideal for harsh environment applications. The output voltage can be set by resistor divider in range from 1.27 V up to 15 V. SOT-223 Pb-free package with high allowable power dissipation keep small footprint at space sensitive applications.

Features

- Wide Input Voltage Range:
DC: Up to 450 V
AC: 85 V to 260 V (half-wave rectifier and 2.2 μ F capacitor)
- 5 mA Guaranteed Output Current
- Ultra Low Quiescent Current: Typ. 10 μ A ($V_{OUT} \leq 15$ V)
- $\pm 5\%$ Accuracy Over Full Load, Line and Temperature Variations
- Ultra-high PSRR: 70 dB at 60 Hz, 90 dB at 100 kHz
- Stable with Ceramic Output Capacitor 2.2 μ F MLCC
- Thermal Shutdown and Current Limit Protection
- Available in Thermally Enhanced SOT-223 Package
- This is a Pb-Free Device

Typical Applications

- Industrial Applications, Home Appliances
- Home Metering / Network Application
- Off-line Power Supplies

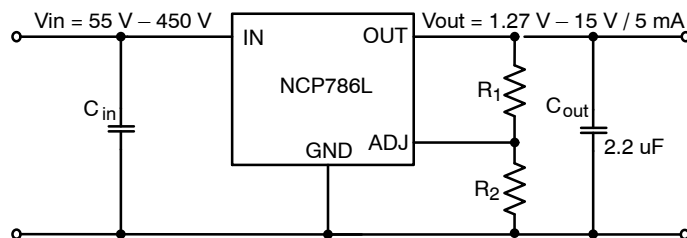
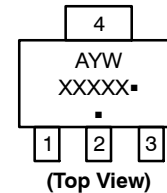


Figure 1. Typical Applications



SOT-223
S SUFFIX
CASE 318E

MARKING DIAGRAM



A = Assembly Location
Y = Year
W = Work Week
XXXXX = Specific Device Code
▪ = Pb-Free Package

(Note: Microdot may be in either location)

ORDERING INFORMATION

See detailed ordering and shipping information in the package dimensions section on page 6 of this data sheet.

NCP786L

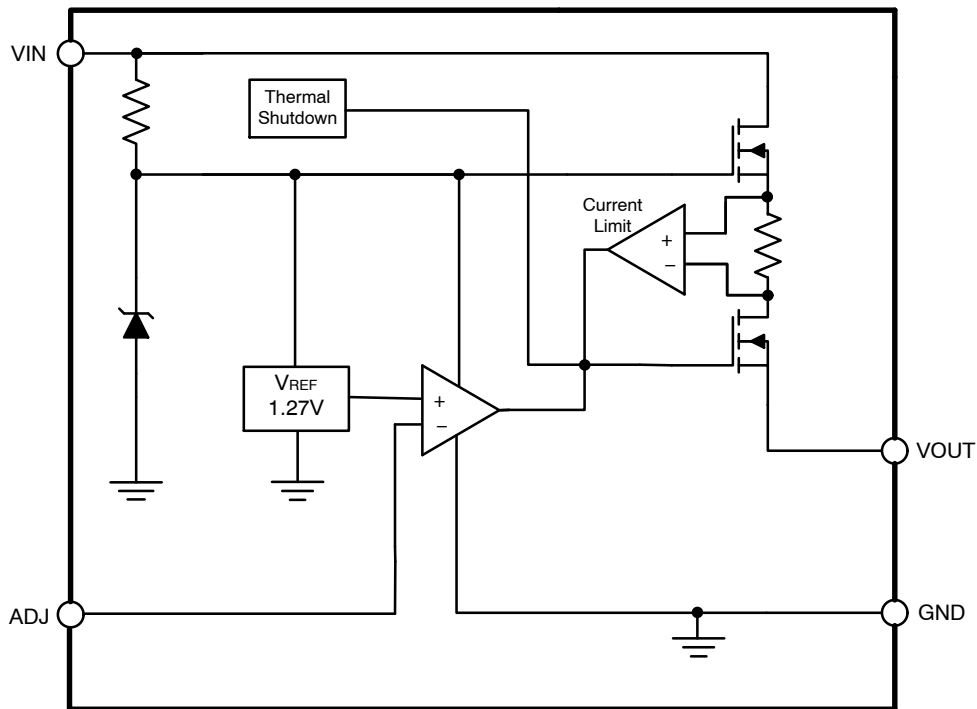


Figure 2. Simplified Internal Block Diagram

Table 1. PIN FUNCTION DESCRIPTION

Pin No. (SOT-223)	Pin Name	Description
1	VIN	Supply Voltage Input. Connect 1 μ F or 2.2 μ F capacitor from VIN to GND.
2	ADJ	ADJ pin for output voltage setting via resistors divider.
3	VOUT	Regulator Output. Connect 2.2 μ F or higher MLCC capacitor from VOUT to GND.
4 (Tab)	GND	Ground connection.

Table 2. ABSOLUTE MAXIMUM RATINGS

Symbol	Rating	Value	Unit
V_{IN}	Input Voltage (Note 1)	-0.3 to 700	V
V_{OUT}	Output Voltage	-0.3 to 18	V
V_{EN}	Enable Pin Voltage	-0.3 to 5.5	V
$T_{J(MAX)}$	Maximum Junction Temperature	125	$^{\circ}$ C
T_{STG}	Storage Temperature	-55 to 150	$^{\circ}$ C
ESD _{HBM}	ESD Capability, Human Body Model (All pins except HV pin no.1) (Note 2)	2000	V
ESD _{MM}	ESD Capability, Machine Model (Note 2)	200	V

Stresses exceeding those listed in the Maximum Ratings table may damage the device. If any of these limits are exceeded, device functionality should not be assumed, damage may occur and reliability may be affected.

- Peak 650 V max 1 ms non repeated for 1 s
- This device series incorporates ESD protection and is tested by the following methods:
 - ESD Human Body Model tested per AEC-Q100-002 (EIA/JESD22-A114)
 - ESD Machine Model tested per AEC-Q100-003 (EIA/JESD22-A115)
 - Latch-up Current Maximum Rating tested per JEDEC standard: JESD78.

Table 3. THERMAL CHARACTERISTICS

Symbol	Rating	Value	Unit
$R_{\theta JA}$	Thermal Characteristics, SOT-223 Thermal Resistance, Junction-to-Air	73	$^{\circ}$ C/W

NCP786L

Table 4. ELECTRICAL CHARACTERISTICS NCP786L Adj. $-40^{\circ}\text{C} \leq T_J \leq 85^{\circ}\text{C}$; $V_{\text{IN}} = 340\text{ V}$; $I_{\text{OUT}} = 100\ \mu\text{A}$, $C_{\text{IN}} = 2.2\ \mu\text{F}$, $C_{\text{OUT}} = 10\ \mu\text{F}$, unless otherwise noted. Typical values are at $T_J = +25^{\circ}\text{C}$. (Note 3)

Symbol	Parameter	Test Conditions	Min	Typ	Max	Unit
V_{IN}	Operating Input Voltage DC		55		450	V
V_{outmax}	Maximum output voltage	$-40^{\circ}\text{C} \leq T_J \leq 85^{\circ}\text{C}$, $I_{\text{out}} = 100\ \mu\text{A}$, $55\text{ V} \leq V_{\text{in}} \leq 450\text{ V}$		15		V
V_{REF}	Reference Voltage Accuracy	$T_J = 25^{\circ}\text{C}$, $I_{\text{out}} = 100\ \mu\text{A}$, $55\text{ V} \leq V_{\text{in}} \leq 450\text{ V}$	-3%	1.275	+3%	V
V_{REF}		$-40^{\circ}\text{C} \leq T_J \leq 85^{\circ}\text{C}$, $I_{\text{out}} = 100\ \mu\text{A}$, $55\text{ V} \leq V_{\text{in}} \leq 450\text{ V}$	-5%	1.275	+5%	V
Reg _{LINE}	Line Regulation	$V_{\text{IN}} = 55\text{ V to } 450\text{ V}$, $I_{\text{out}} = 100\ \mu\text{A}$	-0.5	0.1	+0.5	%
Reg _{LOAD}	Load Regulation	$0.1\text{ mA} \leq I_{\text{OUT}} \leq 5\text{ mA}$, $V_{\text{in}} = 55\text{ V}$	-1.0	0.66	+1.0	%
I_{OUT}	Maximum Output Current	$55\text{ V} \leq V_{\text{in}} \leq 450\text{ V}$, (Note 4)	6			mA
I_{GND}	Quiescent Current	$I_{\text{OUT}} = 0$, $55\text{ V} \leq V_{\text{in}} \leq 450\text{ V}$		10	15	μA
	Ground current	$55\text{ V} \leq V_{\text{in}} \leq 450\text{ V}$, (Note 4) $0 < I_{\text{OUT}} \leq 5\text{ mA}$			25	μA
	ADJ Pin current			150		nA
PSRR	Power Supply Rejection Ratio	$V_{\text{in}} = 340\text{ VDC} + 1\text{ Vpp modulation}$, $I_{\text{out}} = 100\ \mu\text{A}$		65		dB
		$f = 1\text{ kHz}$				
V_{NOISE}	Noise (Note 5)	$f = 10\text{ Hz to } 100\text{ kHz}$ $V_{\text{in}} = 340\text{ VDC}$, $I_{\text{out}} = 1\text{ mA}$, $V_{\text{OUT}} = 1.27\text{ V}$, $C_{\text{OUT}} = 2.2\ \mu\text{F}$		146		μVrms
T_{SD}	Thermal Shutdown Temperature (Note 5)	Temperature increasing from $T_J = +25^{\circ}\text{C}$		145		$^{\circ}\text{C}$
T_{SDH}	Thermal Shutdown Hysteresis (Note 5)	Temperature falling from T_{SD}	-	10	-	$^{\circ}\text{C}$

Product parametric performance is indicated in the Electrical Characteristics for the listed test conditions, unless otherwise noted. Product performance may not be indicated by the Electrical Characteristics if operated under different conditions.

3. Performance guaranteed over the indicated operating temperature range by design and/or characterization production tested at $T_J = T_A = 25^{\circ}\text{C}$. Low duty cycle pulse techniques are used during testing to maintain the junction temperature as close to ambient as possible.
4. Respect to Safe Operating Area
5. Guaranteed by design

TYPICAL CHARACTERISTICS

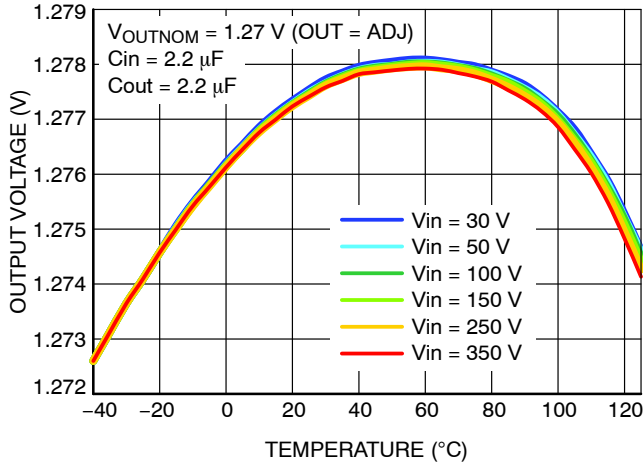


Figure 3. Output Voltage vs. Temperature

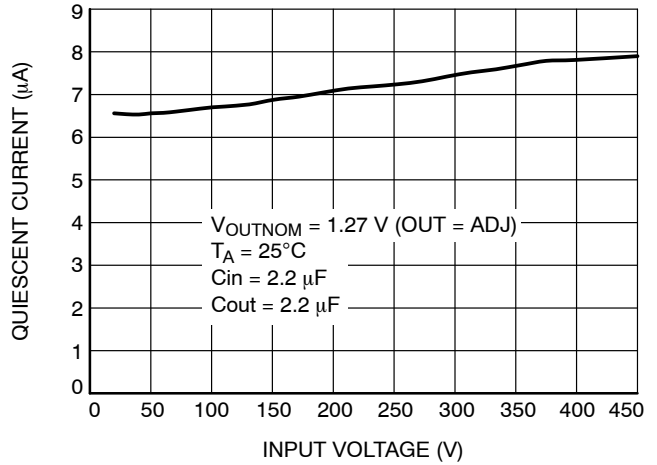


Figure 4. Quiescent Current vs. Input Voltage

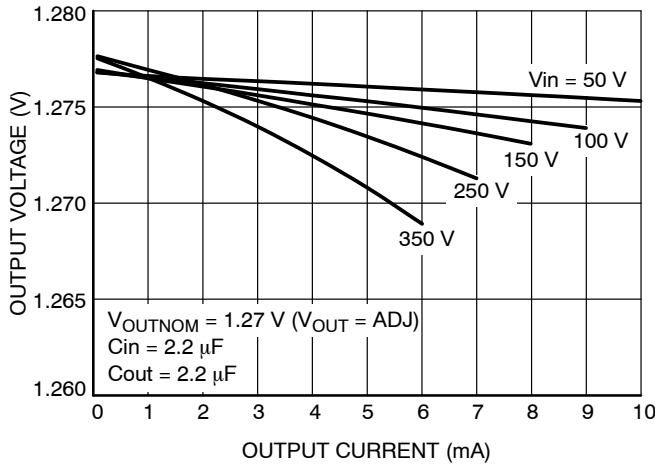


Figure 5. Output Voltage vs. Output Current

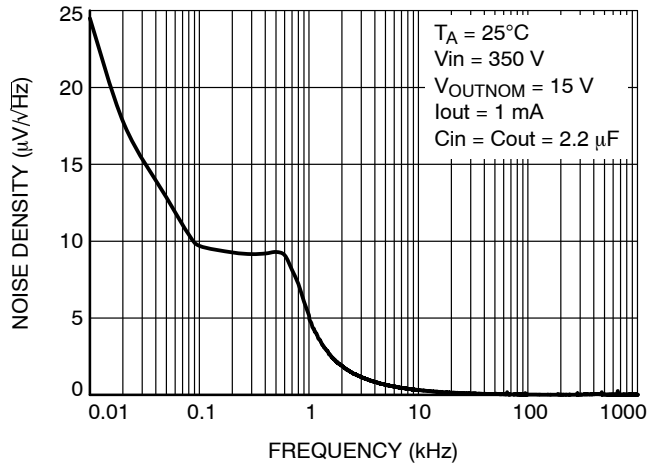


Figure 6. Output Voltage Noise Density vs. Frequency

NCP786L

APPLICATION INFORMATION

The typical application circuit for the NCP786L device is shown below.

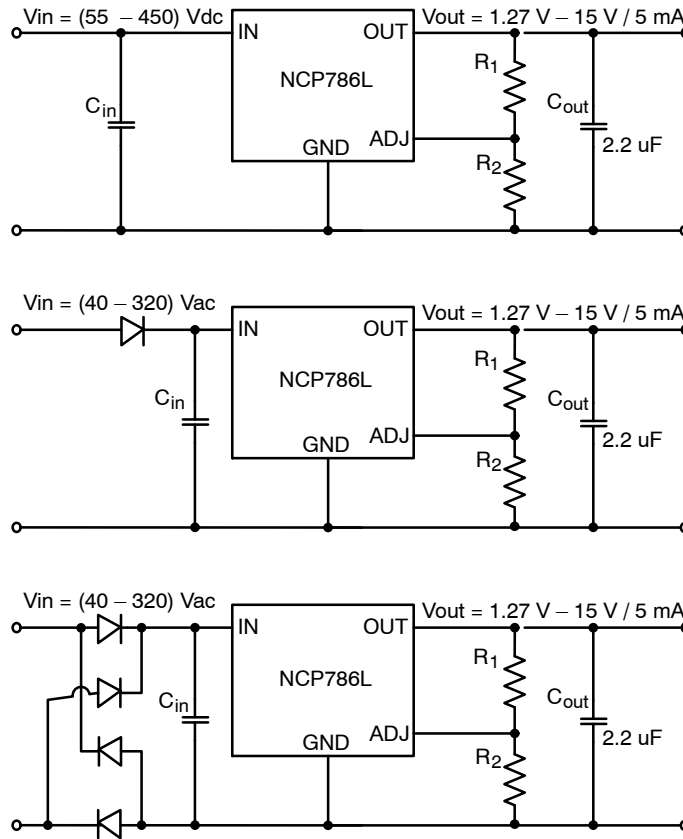


Figure 7. Typical Application Schematic

Input Decoupling (C1)

A 1.0 μF capacitor either ceramic or electrolytic is recommended and should be connected close to the input pin of NCP786L. Higher value 2.2 μF is necessary to keep the input voltage above the required minimum input voltage at full load for AC voltage as low as 85 V with half wave rectifier. The capacitor 1 μF could be acceptable for DC input voltage from 55 V up to 450 V or AC input voltage 235 V $\pm 20\%$. There must be assured minimum Input Voltage more than 55 V at input pin of NCP786L regulator in order to keep stable desired output voltage with guaranteed parameters at AC supply.

Output Decoupling (C2)

The NCP786L Regulator does not require any specific Equivalent Series Resistance (ESR). Thus capacitors exhibiting ESRs ranging from a few $\text{m}\Omega$ up to 0.5 Ω can be used safely. The minimum decoupling value is 2.2 μF . The regulator accepts ceramic chip capacitors as well as tantalum devices or low ESR electrolytic capacitors. Larger values improve noise rejection and especially load transient response.

Layout Recommendations

Please be sure that the V_{IN} and GND lines are sufficiently wide. When the impedance of these lines is high, there is a chance to pick up a noise or to cause the malfunction of regulator by induced parasitic signal.

Set external components, especially the output capacitor, as close as possible to the circuit, and make leads as short as possible.

Thermal

As power across the NCP786L increases, it might become necessary to provide some thermal relief. The maximum power dissipation supported by the device is dependent upon board design layout and used package. Mounting pad configuration on the PCB, the board material, and also the ambient temperature affect the rate of temperature rise for the part. This is stating that when the NCP786L has good thermal conductivity through the PCB, the junction temperature will be relatively low with high power dissipation applications.

NCP786L

Output Voltage

The output voltage can be set by using a resistor divider as shown in Figure 1 with a range of 1.27 to 15 V. The appropriate resistor divider can be found by solving the equation below.

$$V_{OUT} = 1.27 \times \left(1 + \frac{R1}{R2}\right) + (I_{ADJ} \times R1) \quad (\text{eq. 1})$$

The recommended current through the resistor divider is from 1 μA to 3 μA in order to keep negligible ADJ pin consumption. In this case we can simplify the Equation 1 to:

$$V_{OUT} = 1.27 \times \left(1 + \frac{R1}{R2}\right) \quad (\text{eq. 2})$$

ORDERING INFORMATION:

Part Number	Output Voltage	Case	Package	Marking	Shipping [†]
NCP786LSTADJT3G	ADJ	318E	SOT223-4	RRA	1000 / Tape & Reel

[†]For information on tape and reel specifications, including part orientation and tape sizes, please refer to our Tape and Reel Packaging Specifications Brochure, [BRD8011/D](#).

onsemi, **Onsemi**, and other names, marks, and brands are registered and/or common law trademarks of Semiconductor Components Industries, LLC dba "**onsemi**" or its affiliates and/or subsidiaries in the United States and/or other countries. **onsemi** owns the rights to a number of patents, trademarks, copyrights, trade secrets, and other intellectual property. A listing of **onsemi**'s product/patent coverage may be accessed at www.onsemi.com/site/pdf/Patent-Marking.pdf. **onsemi** reserves the right to make changes at any time to any products or information herein, without notice. The information herein is provided "as-is" and **onsemi** makes no warranty, representation or guarantee regarding the accuracy of the information, product features, availability, functionality, or suitability of its products for any particular purpose, nor does **onsemi** assume any liability arising out of the application or use of any product or circuit, and specifically disclaims any and all liability, including without limitation special, consequential or incidental damages. Buyer is responsible for its products and applications using **onsemi** products, including compliance with all laws, regulations and safety requirements or standards, regardless of any support or applications information provided by **onsemi**. "Typical" parameters which may be provided in **onsemi** data sheets and/or specifications can and do vary in different applications and actual performance may vary over time. All operating parameters, including "Typicals" must be validated for each customer application by customer's technical experts. **onsemi** does not convey any license under any of its intellectual property rights nor the rights of others. **onsemi** products are not designed, intended, or authorized for use as a critical component in life support systems or any FDA Class 3 medical devices or medical devices with a same or similar classification in a foreign jurisdiction or any devices intended for implantation in the human body. Should Buyer purchase or use **onsemi** products for any such unintended or unauthorized application, Buyer shall indemnify and hold **onsemi** and its officers, employees, subsidiaries, affiliates, and distributors harmless against all claims, costs, damages, and expenses, and reasonable attorney fees arising out of, directly or indirectly, any claim of personal injury or death associated with such unintended or unauthorized use, even if such claim alleges that **onsemi** was negligent regarding the design or manufacture of the part. **onsemi** is an Equal Opportunity/Affirmative Action Employer. This literature is subject to all applicable copyright laws and is not for resale in any manner.

ADDITIONAL INFORMATION

TECHNICAL PUBLICATIONS:

Technical Library: www.onsemi.com/design/resources/technical-documentation
onsemi Website: www.onsemi.com

ONLINE SUPPORT: www.onsemi.com/support

For additional information, please contact your local Sales Representative at www.onsemi.com/support/sales

Looking for pricing, stock, or lifecycle information?

Click below to explore more details on WIN SOURCE:

 [View NCP786LSTADJT3G on WIN SOURCE](#)

 [ON Semiconductor](#) Information

Optimize Your Supply Chain with WIN SOURCE Solutions

-  Global Sourcing Solution
-  Obsolete Management
-  Cost Control Management
-  Shortage Management
-  Alternative Solution
-  Excess Inventory Management