



**THE DATASHEET OF
PSA10F-050Q-R**





10 Watt F-Series Adapter Supports Interchangeable AC Clips Adapter Meets Level VI Efficiency Requirements



Features

- Folding Blades
- Constant Current for Battery Charging
- 15mm Thick with Blades Folded
- Interchangeable AC Clips
- Level VI Efficiency Compliant
- No load power draw <0.15W

Applications

- Tablets
- Networking Equipment
- Personal Electronics
- Peripherals

Safety Approvals

- cUL/UL
- RCM
- CCC³
- CE
- SAA

Mechanical Characteristics

- Length: 60mm (2.36in)
- Width: 47mm (1.85in)
- Height: 15.0mm (0.59in)
- Weight: 38.5g (1.36oz)

Output Specifications

Model	DC Output Voltage			Load		Efficiency Level
	Min.	Typ.	Max.	Min.	Max.	
PSA10F-050Q	4.75V	5V	5.25V	0A	2A	VI
PSA10F-050Q(D) ¹	4.75V	5V	5.25V	0A	2A	VI
PSA10F-050Q(S) ²	4.75V	5V	5.25V	0A	2A	VI
PSA10FC-050Q	4.75V	5V	5.25V	0A	2A	VI

Notes (1): D model output to compensate for DC drops in the USB cable by 400mV at full load

Notes (2): S model output to compensate for DC drops in the USB cable by 400mV and has termination resistors suitable for Apple products* *Apple is a trademark of Apple Corporation

Notes (3): CCC safety approval only in China model PSA10FC-050Q

Phihong is not responsible for any error, and reserves the right to make changes without notice. Please visit our website at www.phihong.com for the most up-to-date specifications and contact information.

INPUT:

AC Input Voltage Range
90 to 264V AC

AC Input Voltage Rating
100 to 240V AC

AC Input Frequency
47 to 63Hz

AC Input Current
0.3A RMS maximum at 120V AC
0.15A RMS maximum at 240V AC

Leakage Current
100uA maximum at 240V AC

Inrush Current
60A at 240V AC

OUTPUT:
Output Power
10W Continuous

Efficiency
DOE Level VI
EU CoC Ver 5 Tier 1

Standby Power
<150mW at 230VAC

Ripple and Noise
100mVp-p at 0A-1A load
200mVp-p at 1A-2A load

Current Limit
2.5A when less than 3V (auto-restart)

ENVIRONMENTAL:

Temperature
Operating 0 to 40C
Non-operating -40 to +85C
Humidity 10 to 90%

EMI

FCC Class B, EN55022 Class B

Immunity

ESD:	EN61000-4-2	Level 3
Radiated:	EN61000-4-3	Level 2
EFT:	EN61000-4-4	Level 2
Surge:	EN61000-4-5	Level 3
C/T:	EN61000-4-6	Level 2
PFMT:	EN61000-4-8	
VDT:	EN61000-4-11	
Harmonic:	EN61000-3-2	Class A
Flicker:	EN61000-3-3	

Dielectric Withstand (HI-POT) Test

Primary to secondary: 3000V AC, 10mA, 60 seconds

Insulation Resistance

Primary to secondary: 500V >7M OHM

FEATURES:

Over Voltage Protection
Auto-restart 6.3V maximum

Short Circuit Protection
Must withstand continuous short circuit

Over Temperature Protection
Auto shutdown without fault

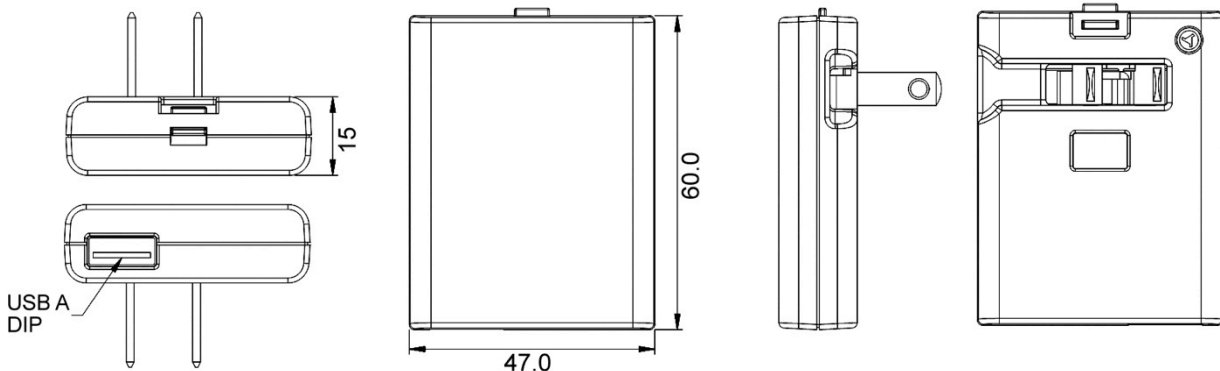
DC Output
USB A

AC Input
US Fixed Blade folding prong
*China Fixed Blade folding prong for PSA10FC-050Q

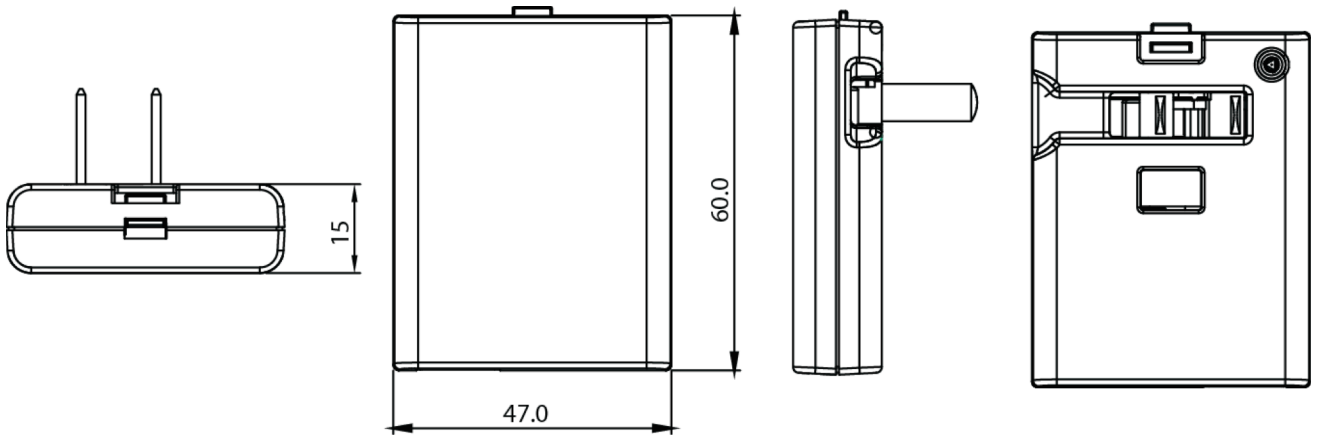
Interchangeable AC Clips (fit over US prongs)

FPBAG-H (FPE, FPK, FPS)
FPB: Brazil FPI: India
FPC: China FPK: UK
FPE: Europe FPN: Argentina
FPH: Korea FPS: Australia
(Sold Separately)

Dimension Diagram Unit: mm





***PSA10FC-050Q – Dimension Units:mm**



[Type text]

Looking for pricing, stock, or lifecycle information?

Click below to explore more details on WIN SOURCE:

-  [View PSA10F-050Q-R on WIN SOURCE](#)
-  [Phihong USA Information](#)

Optimize Your Supply Chain with WIN SOURCE Solutions

-  Global Sourcing Solution
-  Obsolete Management
-  Cost Control Management
-  Shortage Management
-  Alternative Solution
-  Excess Inventory Management