



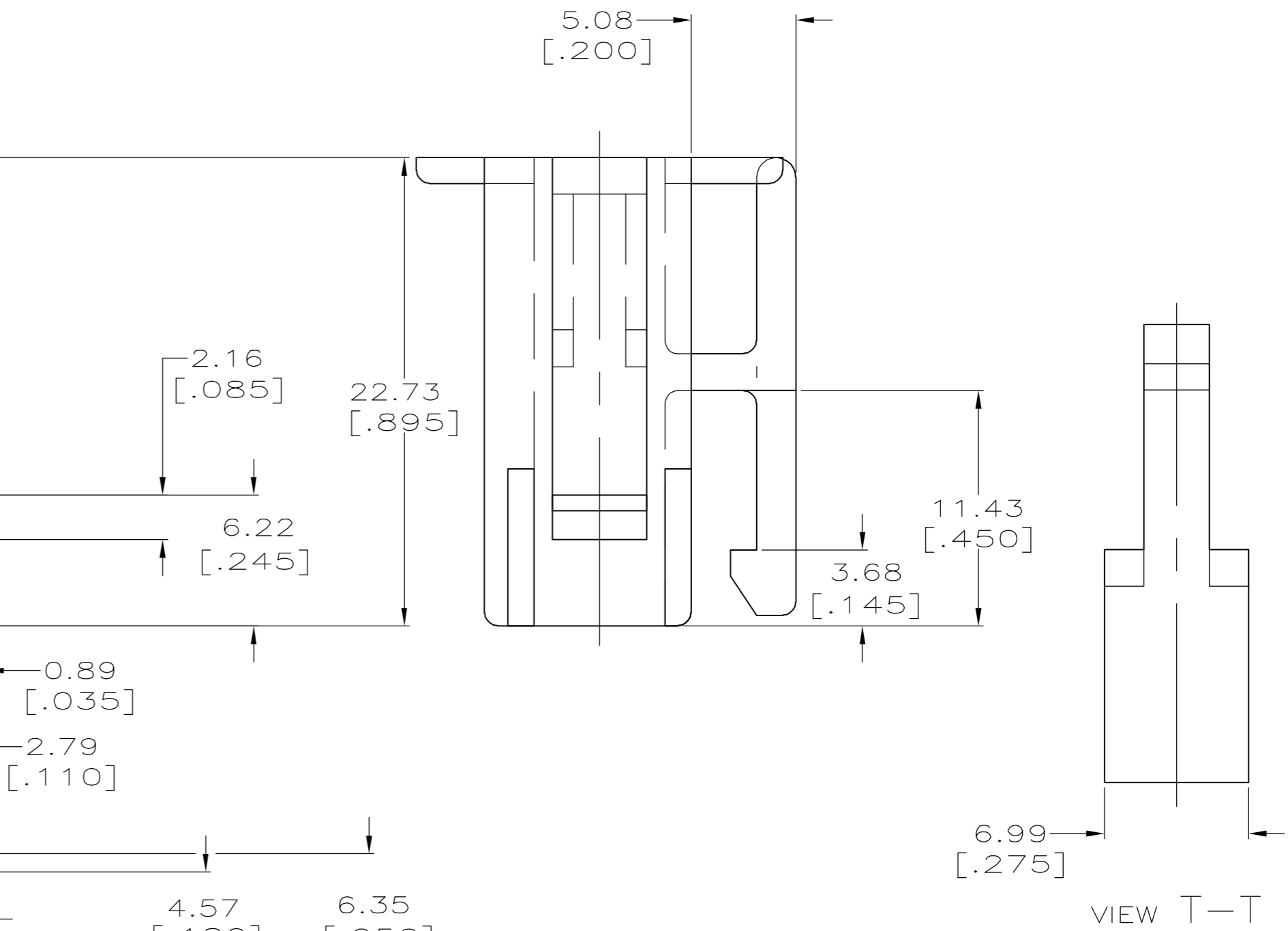
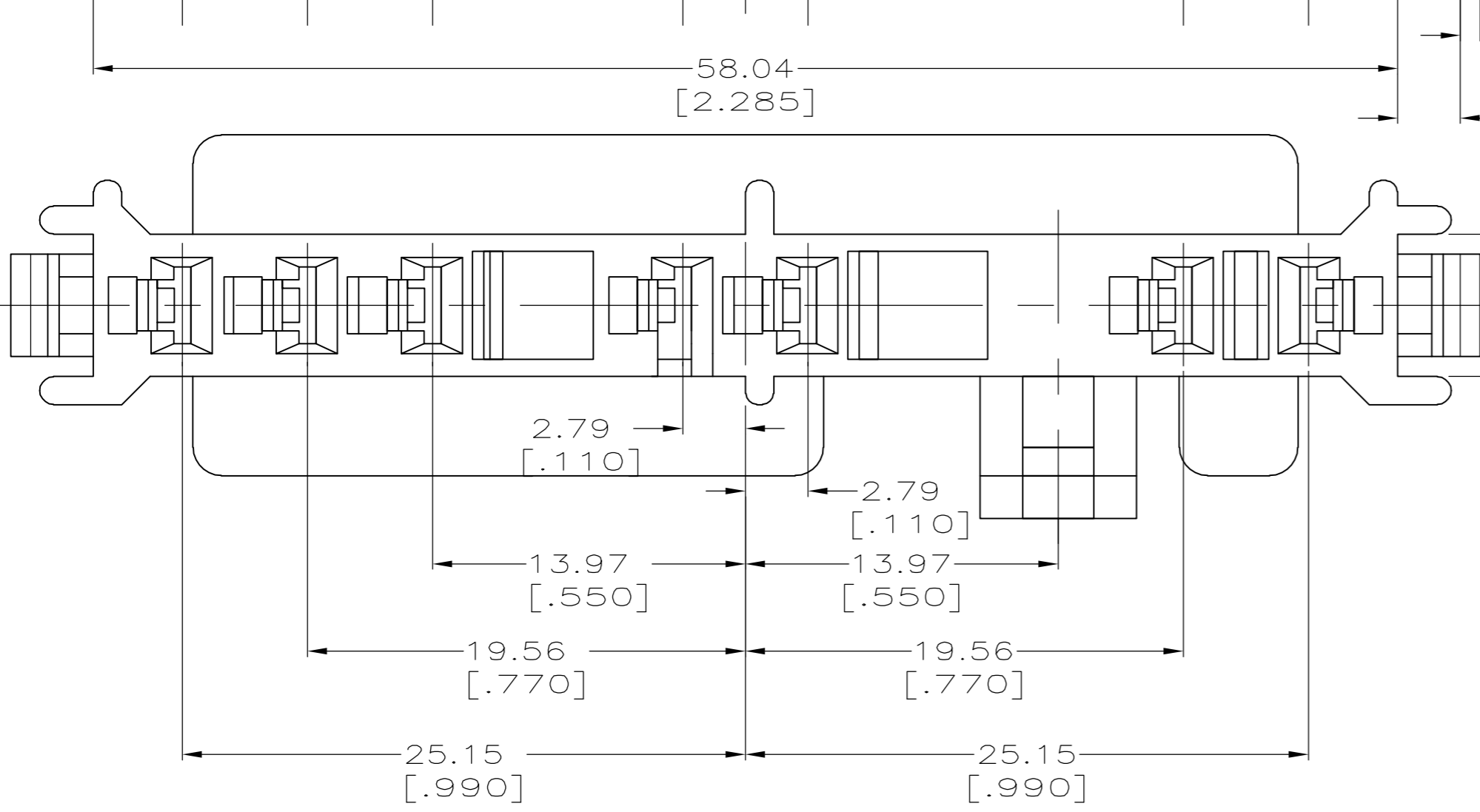
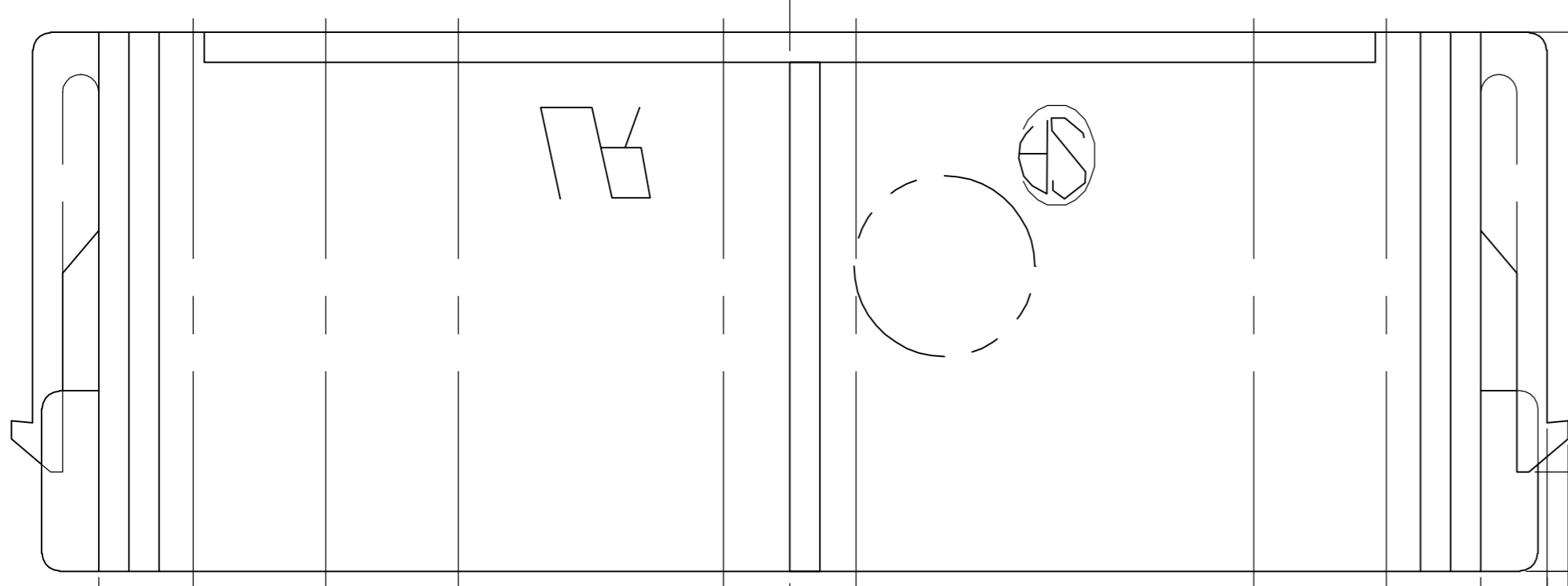
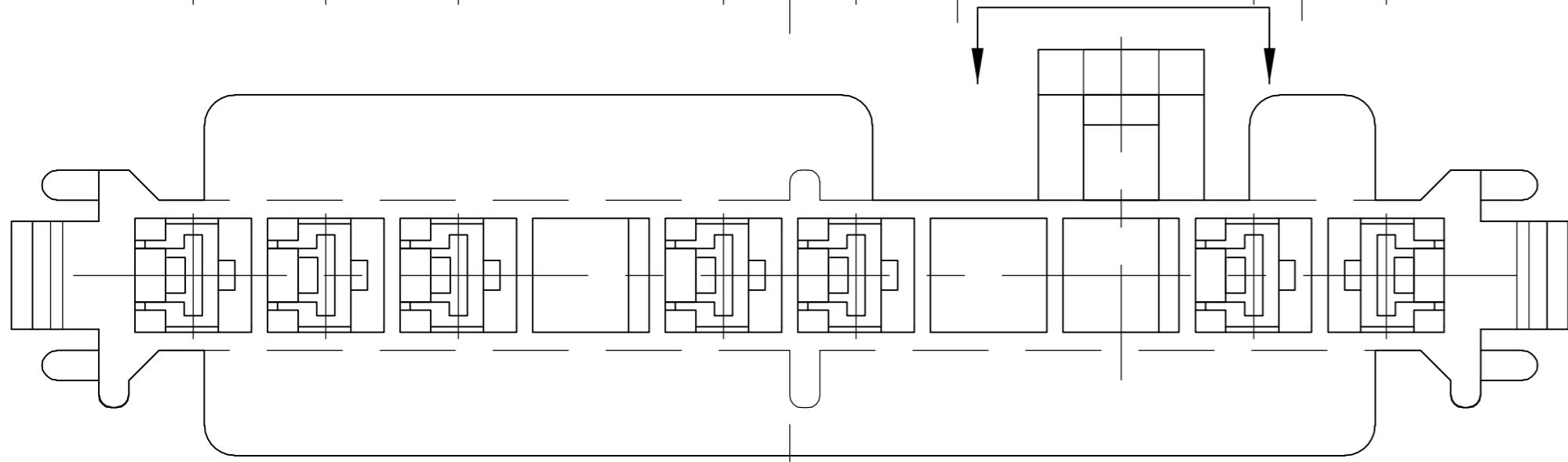
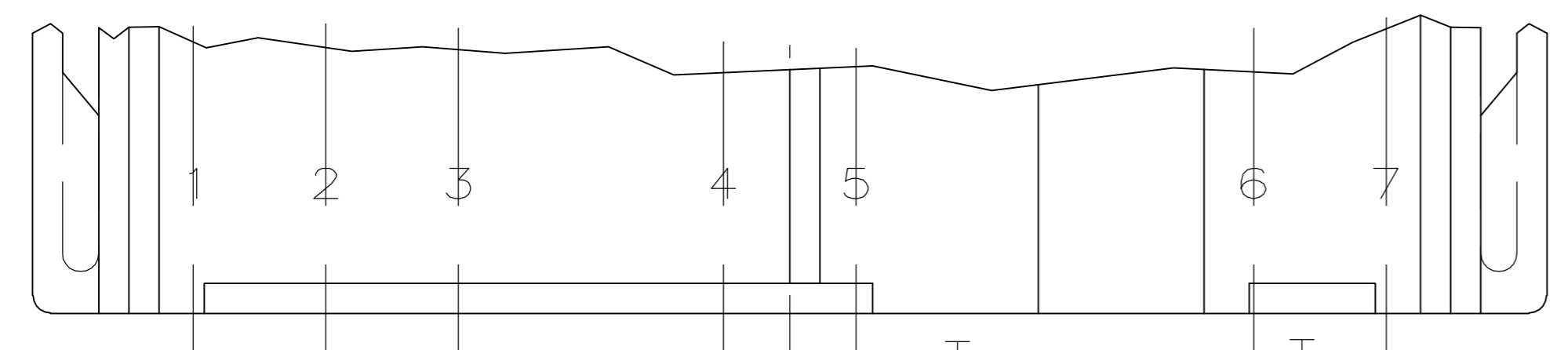
THE DATASHEET OF
521090-1



THIS DRAWING IS UNPUBLISHED. RELEASED FOR PUBLICATION
 © COPYRIGHT BY TYCO ELECTRONICS CORPORATION. ALL RIGHTS RESERVED.

| | | | | | | | |
|-----|------|-----------|-----|----------------------|-----------|-----|------|
| LOC | DIST | REVISIONS | | | | | |
| AF | 50 | P | LTR | DESCRIPTION | DATE | DWN | APVD |
| | | C | | REV PER 0G3A-0026-04 | 21JAN2004 | RF | DD |

1 HOUSING ACCEPTS (7) 3.18 [.125] BLADE RECEPTACLES
 AMP P/N 770642-1.




VIEW T-T

| | | | | |
|--|--|------------------|-----------|--|
| THIS DRAWING IS A CONTROLLED DOCUMENT. | | DWN | 02/OCT/96 | Tyco Electronics Corporation Lickdale, PA 17038 |
| | | CHK | 02/OCT/96 | |
| | | JEFF R RUTH | | NAME |
| | | APVD | | PRODUCT SPEC |
| | | APPLICATION SPEC | | APPLICATION SPEC |
| | | WEIGHT | | SIZE |
| | | CUSTOMER DRAWING | | CAGE CODE |
| | | SCALE | | DRAWING NO |
| | | SHEET | | RESTRICTED TO |
| | | OF | | |
| | | REV | | |
| | | C | | |

Looking for pricing, stock, or lifecycle information?

Click below to explore more details on WIN SOURCE:

 [View 521090-1 on WIN SOURCE](#)

 [TE Connectivity](#) Information

Optimize Your Supply Chain with WIN SOURCE Solutions

-  Global Sourcing Solution
-  Obsolete Management
-  Cost Control Management
-  Shortage Management
-  Alternative Solution
-  Excess Inventory Management