



**THE DATASHEET OF  
RP3508ABLKGRNGRNS**





# SERIES RP3508 SWITCHES

## PUSHBUTTON SWITCHES - ILLUMINATED



### SPECIFICATIONS

Contact Rating: 3A@125 VAC  
1.5A@250 VAC

Life Expectancy (Mechanical): ≥20,000 cycles

Life Expectancy (Electrical): ≥6,000 cycles

Insulation Resistance: > 1,000M Ω

Dielectric Strength: > 1,500 volts 1 minute

Operating Temperature: 0°C to +65°C

Storage Temperature: -25°C to +85°C

### MATERIALS

Switch Housing: UL94-HB

Terminals: Solder lug, silver-plated

### FEATURES & BENEFITS

- ▶ Panel mount
- ▶ Illuminated
- ▶ Standard green, red and yellow LED options

### APPLICATIONS/MARKETS

- ▶ Telecommunications
- ▶ Networking
- ▶ Computers/servers
- ▶ Performance audio
- ▶ Instrumentation
- ▶ Low power on/off designs
- ▶ External hard drives and modems

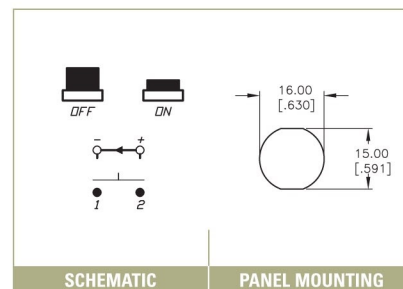
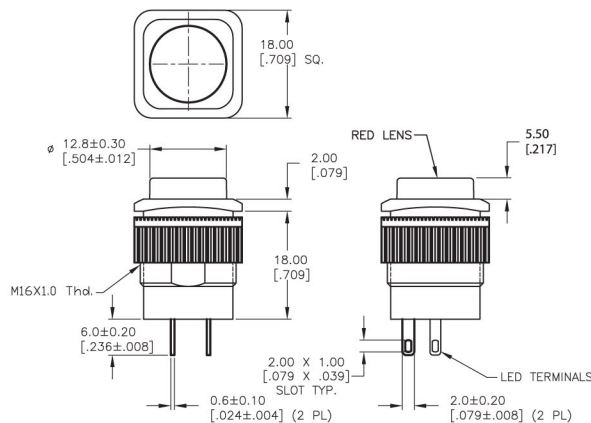
### HOW TO ORDER

| SERIES | MODEL NO. | CIRCUIT                            | HOUSING COLOR | ACTUATOR COLOR                           | LED COLOR  | MARKING  | TERMINATION    |
|--------|-----------|------------------------------------|---------------|--|--|----------|----------------|
| RP     | 3508      | A = SPST OFF-ON<br>B = SPST OFF-ON | BLK = Black   | GRN = Green<br>RED = Red<br>YEL = Yellow | N = None<br>GRN = Green<br>RED = Red<br>YEL = Yellow | N = None | S = Solder Lug |

▶ ▶ ▶ **Example Ordering Number**  
RP-3508-A-BLK-RED-GRN-N-S

Specifications subject to change without notice.

## RP 3508



## Looking for pricing, stock, or lifecycle information?

Click below to explore more details on WIN SOURCE:

- ⊖ [View RP3508ABLKGRNGRNNS on WIN SOURCE](#)
- ⊖ [E-SWITCH Information](#)

## Optimize Your Supply Chain with WIN SOURCE Solutions

- ✓ Global Sourcing Solution
- ✓ Obsolete Management
- ✓ Cost Control Management
- ✓ Shortage Management
- ✓ Alternative Solution
- ✓ Excess Inventory Management