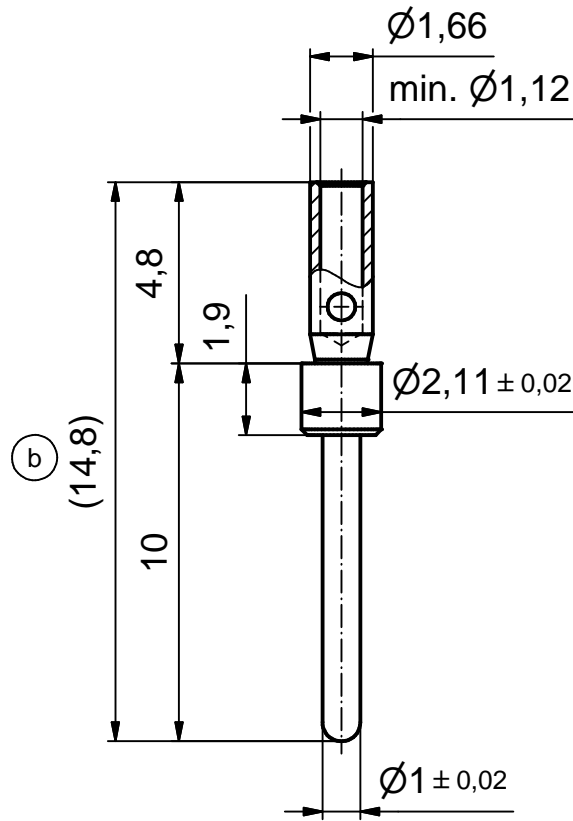
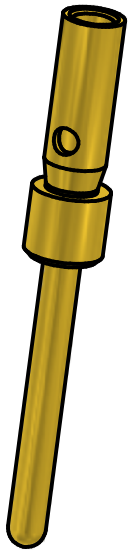


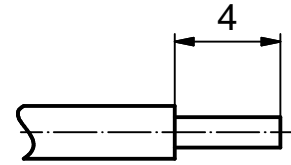


**THE DATASHEET OF
161A18299X**





STRIPPING DIMENSION (b)



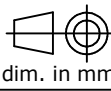

Part-no. as per finish			
(b) GOLD FLASH over NICKEL (c)	min. 20µm HARD GOLD over min. 50µm NICKEL	min. 30µm HARD GOLD over min. 50µm NICKEL	min. 50µm HARD GOLD over min. 50µm NICKEL
161A18299X	161B18299X	161C18299X	161J18299X

- (b) NOTES:
1. Material: Copper alloy
 2. Finish: See table
 3. Temperature range: -55 °C to +125 °C
 4. Rated current: 7.5 A maximum
 5. Contact resistance: ≤ 10 mOhm
 6. Crimping: Use crimp tool 360X10329X
With tool insert 360X20069X
Selector settings: 7 for AWG 20
6 for AWG 22
5 for AWG 24

Directive 2002/95/EC RoHS compliant

THIS DRAWING MAY NOT BE COPIED OR REPRODUCED IN ANY WAY, AND MAY NOT BE PASSED ON TO A THIRD PARTY WITHOUT WRITTEN PERMISSION. OWNERSHIP AND COPYRIGHT OF CONEC GmbH

DO NOT ALTER CAD DRAWING BY HAND

				tolerance DIN ISO 2768-m	 dim. in mm
				date	name
				drawn 08.02.06	Lehmenkühler
				appd. 08.02.06	Mickenbecker
				norm	
1 x c	Ä 4116	26.09.11	Lehm.	d-old	
4 x b	Ä 3698	25.08.10	Lehm.		
a	Original				
rev.	description	date	name		

scale:	5:1	
material:	SEE NOTES	
title:	CRIMP PLUG CONTACT screw machined version accepts cable AWG 24-20	
dwg no:	Inventor 10	DIN-A4
	16K1A1743	sh: 1
part no:	SEE TABLE	

Looking for pricing, stock, or lifecycle information?

Click below to explore more details on WIN SOURCE:

 [View 161A18299X on WIN SOURCE](#)

 [Manufacturer Information](#)

Optimize Your Supply Chain with WIN SOURCE Solutions

-  Global Sourcing Solution
-  Obsolete Management
-  Cost Control Management
-  Shortage Management
-  Alternative Solution
-  Excess Inventory Management