

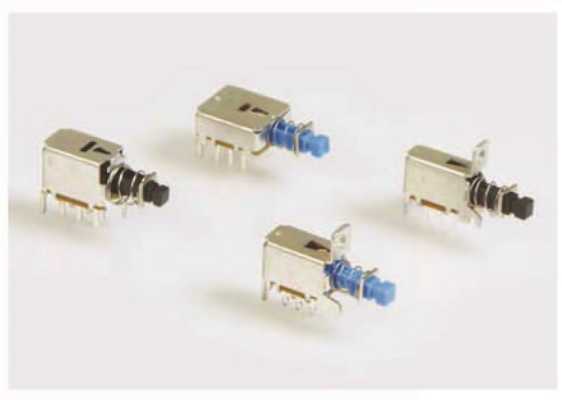


**THE DATASHEET OF
LC12580ANP**



SERIES LC SWITCHES

PUSHBUTTON SWITCHES



FEATURES & BENEFITS

- ▶ Latching & momentary functions
- ▶ Shorting or non-shorting versions
- ▶ Variety of housing styles available

APPLICATIONS/MARKETS

- ▶ Telecommunications
- ▶ Networking
- ▶ Computers/servers
- ▶ Performance audio
- ▶ Instrumentation
- ▶ Low power on/off designs
- ▶ External hard drives and modems

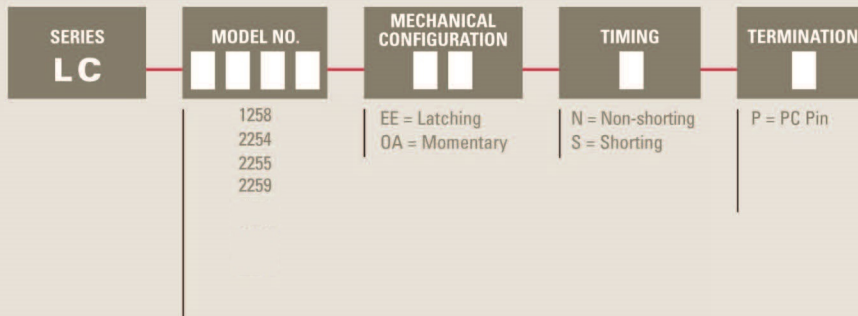
SPECIFICATIONS

| | |
|------------------------|------------------------------------|
| Contact Rating: | 300mA @ 30 VDC |
| Life Expectancy: | 10,000 cycles typical |
| Contact Resistance: | 20mΩ max. initial @ 2-4 VDC, 100mA |
| Insulation Resistance: | 100MΩ min. |
| Dielectric Strength: | 1,000 V rms @ sea level |
| Actuation Force: | Dependent upon model number |
| Operating Temperature: | -20° to +85°C |

MATERIALS

| | |
|----------------|-----------------------------|
| Housing: | Tin over Steel |
| Actuator: | Acetal |
| Terminal Base: | Phenolic |
| Spring: | Spring steel |
| Terminals: | Silver over brass |
| Contacts: | Silver over phosphor bronze |

HOW TO ORDER



▶ ▶ ▶ **Example Ordering Number**
 LC-1258-EE-N-P

Specifications subject to change without notice.

ACTUATION OPTIONS

| Model No. | Actuation Force |
|-----------|-----------------|
| 1258 | 230 ± 100 gf |
| 2254 | 300 ± 150 gf |
| 2255 | 300 ± 150 gf |
| 2259 | 330 ± 100 gf |

TACT SWITCHES

NAVIGATION SWITCHES

PUSHBUTTON SWITCHES

TOGGLE SWITCHES

ROCKER SWITCHES

SLIDE SWITCHES

SNAP-ACTION SWITCHES

DIP SWITCHES

KEYLOCK SWITCHES

ROTARY SWITCHES

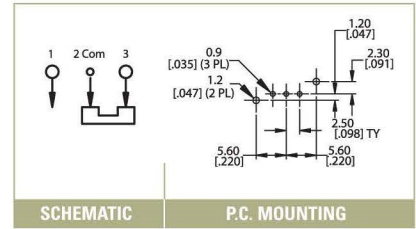
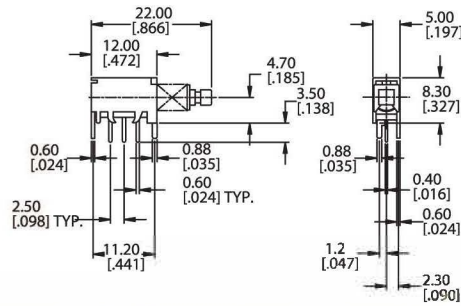
DETECTOR SWITCHES

CAP. OPTIONS



LC 1258

Shaft End Style A

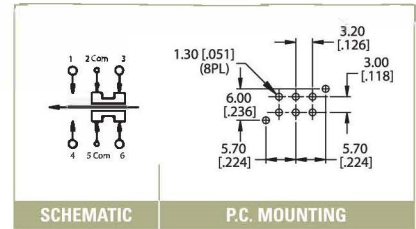
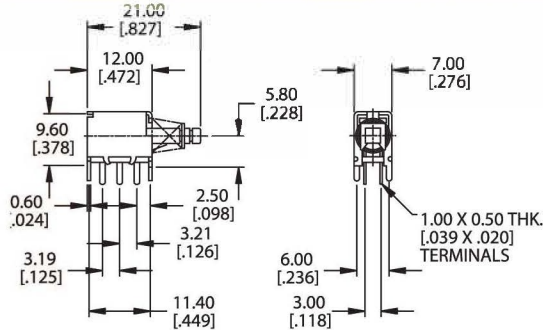


SCHEMATIC

P.C. MOUNTING

LC 2254

Shaft End Style □2.7mm

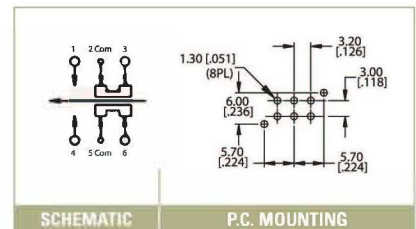
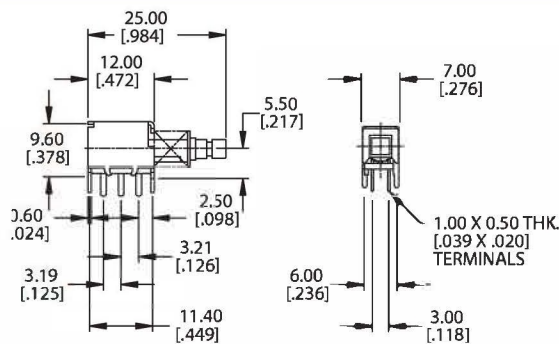


SCHEMATIC

P.C. MOUNTING

LC 2255

Shaft End Style B

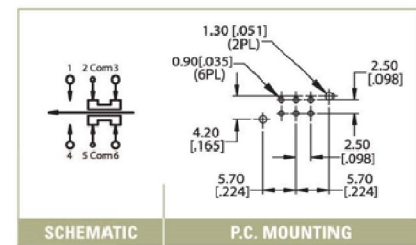
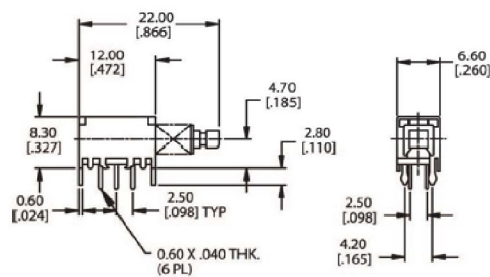


SCHEMATIC

P.C. MOUNTING

LC 2259

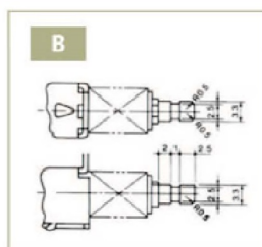
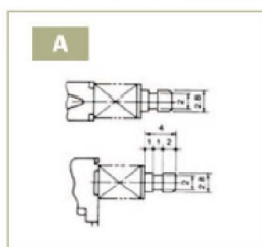
Shaft End Style A



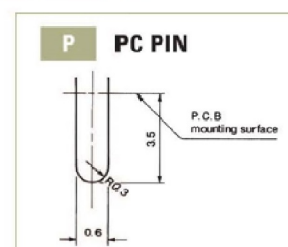
SCHEMATIC

P.C. MOUNTING

SHAFT END STYLES



TERMINATION OPTIONS



TACT SWITCHES
 NAVIGATION SWITCHES
 PUSHBUTTON SWITCHES
 TOGGLE SWITCHES
 ROCKER SWITCHES
 SLIDE SWITCHES
 SNAP-ACTION SWITCHES
 DIP SWITCHES
 KEYLOCK SWITCHES
 ROTARY SWITCHES
 DETECTOR SWITCHES
 CAP OPTIONS

Looking for pricing, stock, or lifecycle information?

Click below to explore more details on WIN SOURCE:

 [View LC1258OANP](#) on WIN SOURCE

 [E-SWITCH](#) Information

Optimize Your Supply Chain with WIN SOURCE Solutions

-  Global Sourcing Solution
-  Obsolete Management
-  Cost Control Management
-  Shortage Management
-  Alternative Solution
-  Excess Inventory Management