

INA121

## FET-Input, Low Power INSTRUMENTATION AMPLIFIER

### FEATURES

- **LOW BIAS CURRENT:**  $\pm 4\text{pA}$
- **LOW QUIESCENT CURRENT:**  $\pm 450\mu\text{A}$
- **LOW INPUT OFFSET VOLTAGE:**  $\pm 200\mu\text{V}$
- **LOW INPUT OFFSET DRIFT:**  $\pm 2\mu\text{V}/^\circ\text{C}$
- **LOW INPUT NOISE:**  
 $20\text{nV}/\sqrt{\text{Hz}}$  at  $f = 1\text{kHz}$  ( $G = 100$ )
- **HIGH CMR:** 106dB
- **WIDE SUPPLY RANGE:**  $\pm 2.25\text{V}$  to  $\pm 18\text{V}$
- **LOW NONLINEARITY ERROR:** 0.001% max
- **INPUT PROTECTION TO  $\pm 40\text{V}$**
- **8-PIN DIP AND SO-8 SURFACE MOUNT**

### APPLICATIONS

- **LOW-LEVEL TRANSDUCER AMPLIFIERS**  
 Bridge, RTD, Thermocouple
- **PHYSIOLOGICAL AMPLIFIERS**  
 ECG, EEG, EMG, Respiratory
- **HIGH IMPEDANCE TRANSDUCERS**
- **CAPACITIVE SENSORS**
- **MULTI-CHANNEL DATA ACQUISITION**
- **PORTABLE, BATTERY OPERATED SYSTEMS**
- **GENERAL PURPOSE INSTRUMENTATION**

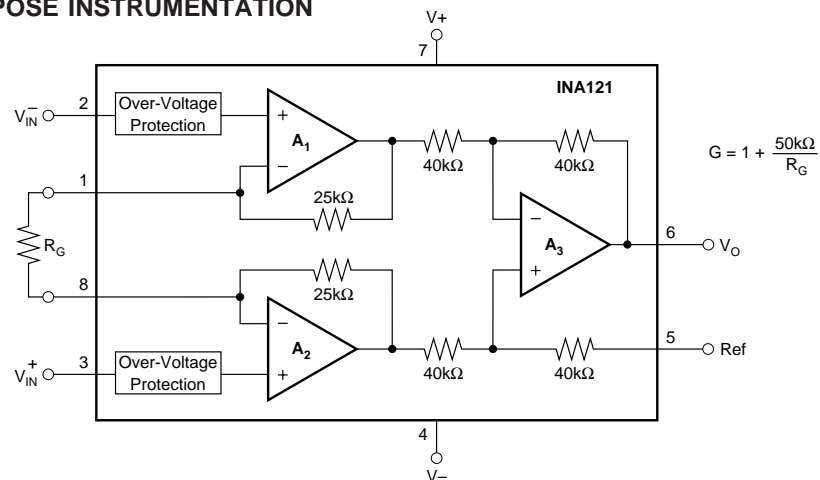
### DESCRIPTION

The INA121 is a FET-input, low power instrumentation amplifier offering excellent accuracy. Its versatile three-op amp design and very small size make it ideal for a variety of general purpose applications. Low bias current ( $\pm 4\text{pA}$ ) allows use with high impedance sources.

Gain can be set from 1V to 10,000V/V with a single external resistor. Internal input protection can withstand up to  $\pm 40\text{V}$  without damage.

The INA121 is laser-trimmed for very low offset voltage ( $\pm 200\mu\text{V}$ ), low offset drift ( $\pm 2\mu\text{V}/^\circ\text{C}$ ), and high common-mode rejection (106dB at  $G = 100$ ). It operates on power supplies as low as  $\pm 2.25\text{V}$  ( $+4.5\text{V}$ ), allowing use in battery operated and single 5V systems. Quiescent current is only  $450\mu\text{A}$ .

Package options include 8-pin plastic DIP and SO-8 surface mount. All are specified for the  $-40^\circ\text{C}$  to  $+85^\circ\text{C}$  industrial temperature range.



International Airport Industrial Park • Mailing Address: PO Box 11400, Tucson, AZ 85734 • Street Address: 6730 S. Tucson Blvd., Tucson, AZ 85706 • Tel: (520) 746-1111 • Twx: 910-952-1111  
 Internet: <http://www.burr-brown.com/> • FAXLine: (800) 548-6133 (US/Canada Only) • Cable: BBRCORP • Telex: 066-6491 • FAX: (520) 889-1510 • Immediate Product Info: (800) 548-6132

# SPECIFICATIONS: $V_S = \pm 15V$

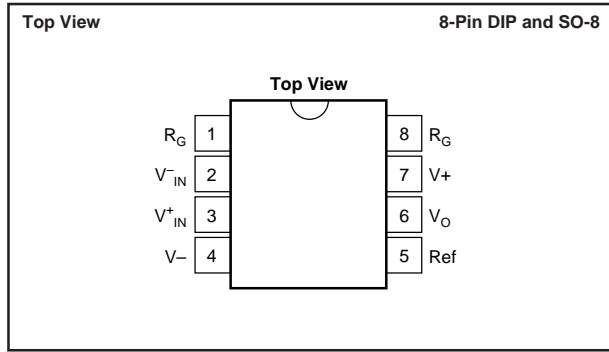
At  $T_A = +25^\circ C$ ,  $V_S = \pm 15V$ ,  $R_L = 10k\Omega$ , and  $I_A$  reference =  $0V$ , unless otherwise noted.

| PARAMETER                             | CONDITIONS                     | INA121P, U   |                             |                        | INA121PA, UA |                     |                       | UNITS                       |    |
|---------------------------------------|--------------------------------|--------------|-----------------------------|------------------------|--------------|---------------------|-----------------------|-----------------------------|----|
|                                       |                                | MIN          | TYP                         | MAX                    | MIN          | TYP                 | MAX                   |                             |    |
| <b>INPUT</b>                          |                                |              |                             |                        |              |                     |                       |                             |    |
| Offset Voltage, RTI<br>vs Temperature | $V_S = \pm 2.25V$ to $\pm 18V$ |              | $\pm 200 \pm 200/G$         | $\pm 500 \pm 500/G$    |              | $\pm 300 \pm 200/G$ | $\pm 1000 \pm 1000/G$ | $\mu V$<br>$\mu V/^\circ C$ |    |
| vs Power Supply                       |                                |              | $\pm 2 \pm 2/G$             | $\pm 5 \pm 20/G$       |              | *                   | $\pm 15 \pm 20/G$     | $\mu V/V$                   |    |
| Long-Term Stability                   |                                |              | $\pm 5 \pm 20/G$            | $\pm 50 \pm 150/G$     |              | *                   | *                     | $\mu V/mo$                  |    |
| Impedance, Differential               | $V_O = 0V$                     |              | $\pm 0.5$                   |                        |              | *                   | *                     | $\Omega \parallel pF$       |    |
| Common-Mode                           |                                |              | $10^{12} \parallel 1$       | $10^{12} \parallel 12$ |              | *                   | *                     | $\Omega \parallel pF$       |    |
| Input Voltage Range                   | $V_{CM} = -12.5V$ to $13.5V$   |              | See Text and Typical Curves |                        |              | *                   | *                     | V                           |    |
| Safe Input Voltage                    |                                |              |                             | $\pm 40$               |              | *                   | *                     |                             |    |
| Common-Mode Rejection                 |                                | $G = 1$      | 78                          | 86                     |              | 72                  | *                     |                             | dB |
|                                       |                                | $G = 10$     | 91                          | 100                    |              | 85                  | *                     |                             | dB |
|                                       | $G = 100$                      | 96           | 106                         |                        | 90           | *                   |                       | dB                          |    |
|                                       | $G = 1000$                     |              | 106                         |                        |              | *                   |                       | dB                          |    |
| <b>BIAS CURRENT</b>                   | $V_{CM} = 0V$                  |              | $\pm 4$                     | $\pm 50$               |              | *                   | *                     | pA                          |    |
| vs Temperature                        |                                |              | See Typical Curve           |                        |              | *                   | *                     |                             |    |
| Offset Current                        |                                |              | $\pm 0.5$                   |                        |              | *                   | *                     | pA                          |    |
| vs Temperature                        |                                |              | See Typical Curve           |                        |              | *                   | *                     |                             |    |
| <b>NOISE, RTI</b>                     | $R_S = 0\Omega$                |              |                             |                        |              |                     |                       |                             |    |
| Voltage Noise: $f = 10Hz$             | $G = 100$                      |              | 30                          |                        |              | *                   |                       | $nV/\sqrt{Hz}$              |    |
| $f = 100Hz$                           | $G = 100$                      |              | 21                          |                        |              | *                   |                       | $nV/\sqrt{Hz}$              |    |
| $f = 1kHz$                            | $G = 100$                      |              | 20                          |                        |              | *                   |                       | $nV/\sqrt{Hz}$              |    |
| $f = 0.1Hz$ to $10Hz$                 | $G = 100$                      |              | 1                           |                        |              | *                   |                       | $\mu Vp-p$                  |    |
| Current Noise: $f = 1kHz$             | $G = 100$                      |              | 1                           |                        |              | *                   |                       | $fA/\sqrt{Hz}$              |    |
| <b>GAIN</b>                           |                                |              |                             |                        |              |                     |                       |                             |    |
| Gain Equation                         | $V_O = -14V$ to $13.5V$        | 1            | $1 + (50k\Omega/R_G)$       | 10,000                 | *            | *                   | *                     | V/V<br>V/V                  |    |
| Range of Gain                         |                                |              |                             |                        |              |                     |                       |                             |    |
| Gain Error                            |                                | $G = 1$      |                             | $\pm 0.01$             | $\pm 0.05$   |                     | *                     | $\pm 0.1$                   | %  |
|                                       |                                | $G = 10$     |                             | $\pm 0.03$             | $\pm 0.4$    |                     | *                     | $\pm 0.5$                   | %  |
|                                       |                                | $G = 100$    |                             | $\pm 0.05$             | $\pm 0.5$    |                     | *                     | $\pm 0.7$                   | %  |
|                                       | $G = 1000$                     |              | $\pm 0.5$                   |                        |              | *                   | *                     | %                           |    |
| Gain vs Temperature <sup>(1)</sup>    | $G = 1$                        |              | $\pm 1$                     | $\pm 10$               |              | *                   | *                     | ppm/ $^\circ C$             |    |
|                                       | $G > 1$                        |              | $\pm 25$                    | $\pm 100$              |              | *                   | *                     | ppm/ $^\circ C$             |    |
| Nonlinearity                          | $V_O = -14V$ to $13.5V$        |              |                             |                        |              | *                   |                       | % of FSR                    |    |
|                                       | $G = 1$                        |              | $\pm 0.0002$                | $\pm 0.001$            |              | *                   | $\pm 0.002$           | % of FSR                    |    |
|                                       | $G = 10$                       |              | $\pm 0.0015$                | $\pm 0.005$            |              | *                   | $\pm 0.008$           | % of FSR                    |    |
|                                       | $G = 100$                      |              | $\pm 0.0015$                | $\pm 0.005$            |              | *                   | $\pm 0.008$           | % of FSR                    |    |
|                                       | $G = 1000$                     |              | $\pm 0.002$                 |                        |              | *                   |                       | % of FSR                    |    |
| <b>OUTPUT</b>                         |                                |              |                             |                        |              |                     |                       |                             |    |
| Voltage: Positive                     | $R_L = 100k\Omega$             |              | $(V+) - 0.9$                |                        |              | *                   |                       | V                           |    |
| Negative                              | $R_L = 100k\Omega$             |              | $(V-) + 0.15$               |                        |              | *                   |                       | V                           |    |
| Positive                              | $R_L = 10k\Omega$              | $(V+) - 1.5$ | $(V+) - 0.9$                |                        | *            | *                   |                       | V                           |    |
| Negative                              | $R_L = 10k\Omega$              | $(V-) + 1$   | $(V-) + 0.25$               |                        | *            | *                   |                       | V                           |    |
| Capacitance Load Drive                |                                |              | 1000                        |                        |              | *                   |                       | pF                          |    |
| Short-Circuit Current                 |                                |              | $\pm 14$                    |                        |              | *                   |                       | mA                          |    |
| <b>FREQUENCY RESPONSE</b>             |                                |              |                             |                        |              |                     |                       |                             |    |
| Bandwidth, -3dB                       | $G = 1$                        |              | 600                         |                        |              | *                   |                       | kHz                         |    |
|                                       | $G = 10$                       |              | 300                         |                        |              | *                   |                       | kHz                         |    |
|                                       | $G = 100$                      |              | 50                          |                        |              | *                   |                       | kHz                         |    |
|                                       | $G = 1000$                     |              | 5                           |                        |              | *                   |                       | kHz                         |    |
| Slew Rate                             | $V_O = \pm 10V$ , $G \leq 10$  |              | 0.7                         |                        |              | *                   |                       | V/ $\mu s$                  |    |
| Settling Time, 0.01%                  | $G = 1$ to $10$                |              | 20                          |                        |              | *                   |                       | $\mu s$                     |    |
|                                       | $G = 100$                      |              | 35                          |                        |              | *                   |                       | $\mu s$                     |    |
|                                       | $G = 1000$                     |              | 260                         |                        |              | *                   |                       | $\mu s$                     |    |
| Overload Recovery                     | 50% Input Overload             |              | 5                           |                        |              | *                   |                       | $\mu s$                     |    |
| <b>POWER SUPPLY</b>                   |                                |              |                             |                        |              |                     |                       |                             |    |
| Voltage Range                         |                                | $\pm 2.25$   | $\pm 15$                    | $\pm 18$               | *            | *                   | *                     | V                           |    |
| Quiescent Current                     | $I_O = 0V$                     |              | $\pm 450$                   | $\pm 525$              |              | *                   | *                     | $\mu A$                     |    |
| <b>TEMPERATURE RANGE</b>              |                                |              |                             |                        |              |                     |                       |                             |    |
| Specification                         |                                | -40          |                             | 85                     | *            |                     | *                     | $^\circ C$                  |    |
| Operating                             |                                | -55          |                             | 125                    | *            |                     | *                     | $^\circ C$                  |    |
| Storage                               |                                | -55          |                             | 125                    | *            |                     | *                     | $^\circ C$                  |    |
| Thermal Resistance, $\theta_{JA}$     |                                |              |                             |                        |              |                     |                       |                             |    |
| 8-Lead DIP                            |                                |              | 100                         |                        |              | *                   |                       | $^\circ C/W$                |    |
| SO-8 Surface Mount                    |                                |              | 150                         |                        |              | *                   |                       | $^\circ C/W$                |    |

\* Specification same as INA121P, U.

NOTE: (1) Temperature coefficient of the "Internal Resistor" in the gain equation. Does not include TCR of gain-setting resistor,  $R_G$ .

## PIN CONFIGURATION



## ELECTROSTATIC DISCHARGE SENSITIVITY

This integrated circuit can be damaged by ESD. Burr-Brown recommends that all integrated circuits be handled with appropriate precautions. Failure to observe proper handling and installation procedures can cause damage.

ESD damage can range from subtle performance degradation to complete device failure. Precision integrated circuits may be more susceptible to damage because very small parametric changes could cause the device not to meet its published specifications.

## ABSOLUTE MAXIMUM RATINGS<sup>(1)</sup>

|   |                                   |
|---|-----------------------------------|
| Supply Voltage .....                    | $\pm 18V$                         |
| Analog Input Voltage Range .....        | $\pm 40V$                         |
| Output Short-Circuit (to ground) .....  | Continuous                        |
| Operating Temperature .....             | $-55^{\circ}C$ to $+125^{\circ}C$ |
| Storage Temperature .....               | $-55^{\circ}C$ to $+125^{\circ}C$ |
| Junction Temperature .....              | $+150^{\circ}C$                   |
| Lead Temperature (soldering, 10s) ..... | $+300^{\circ}C$                   |

NOTE: (1) Stresses above these ratings may cause permanent damage. Exposure to absolute maximum conditions for extended periods may degrade device reliability.

## PACKAGE/ORDERING INFORMATION

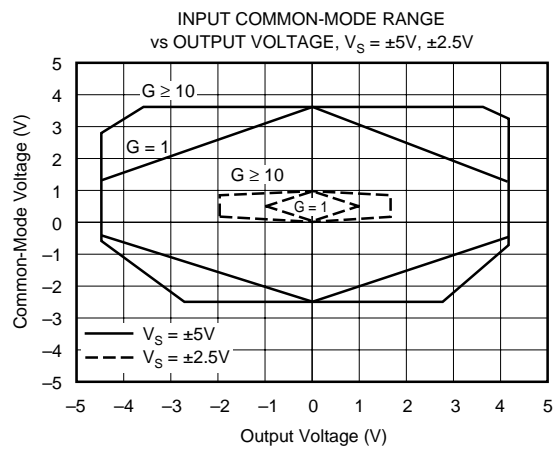
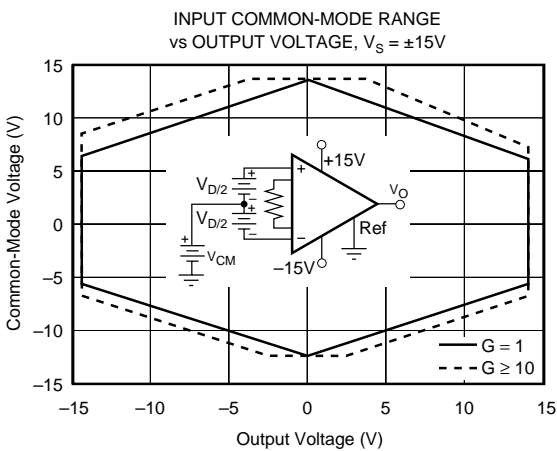
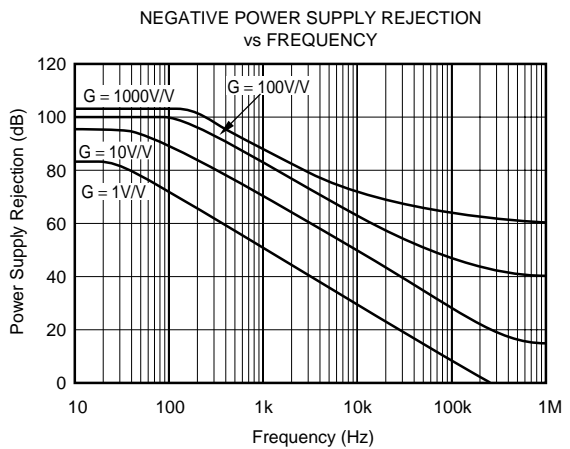
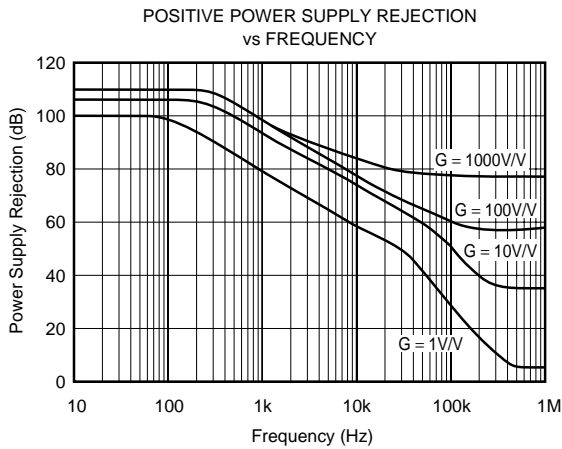
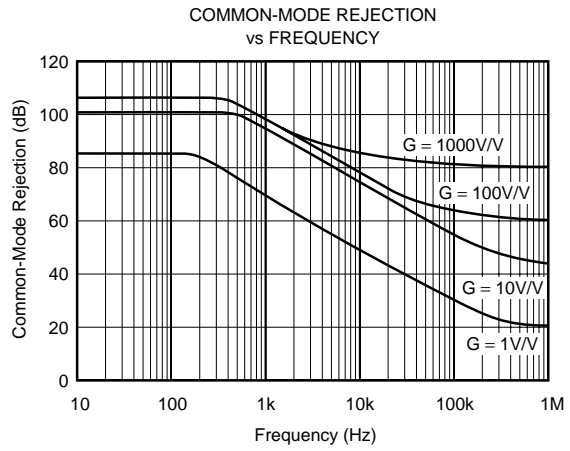
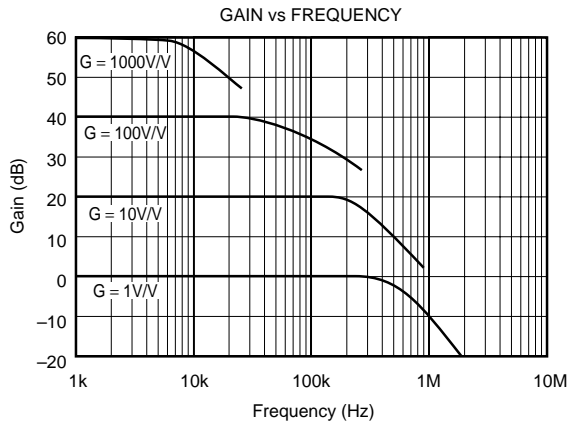
| PRODUCT  | PACKAGE            | PACKAGE DRAWING NUMBER(1) | SPECIFIED TEMPERATURE RANGE      | PACKAGE MARKING | ORDERING NUMBER(2) | TRANSPORT MEDIA |
|----------|--------------------|---------------------------|----------------------------------|-----------------|--------------------|-----------------|
| Single   |                    |                           |                                  |                 |                    |                 |
| INA121P  | 8-Pin DIP          | 006                       | $-40^{\circ}C$ to $+85^{\circ}C$ | INA121P         | INA121P            | Rails           |
| INA121PA | 8-Pin DIP          | 006                       | $-40^{\circ}C$ to $+85^{\circ}C$ | INA121PA        | INA121PA           | Rails           |
| INA121U  | SO-8 Surface-Mount | 182                       | $-40^{\circ}C$ to $+85^{\circ}C$ | INA121U         | INA121U            | Rails           |
| "        | "                  | "                         | "                                | "               | INA121U/2K5        | Tape and Reel   |
| INA121UA | SO-8 Surface-Mount | 182                       | $-40^{\circ}C$ to $+85^{\circ}C$ | INA121UA        | INA121UA           | Rails           |
| "        | "                  | "                         | "                                | "               | INA121UA/2K5       | Tape and Reel   |

NOTES: (1) For detailed drawing and dimension table, please see end of data sheet, or Appendix C of Burr-Brown IC Data Book. (2) Models with a slash (/) are available only in Tape and Reel in the quantities indicated (e.g., /2K5 indicates 2500 devices per reel). Ordering 2500 pieces of "INA121U/2K5" will get a single 2500-piece Tape and Reel. For detailed Tape and Reel mechanical information, refer to Appendix B of Burr-Brown IC Data Book.

The information provided herein is believed to be reliable; however, BURR-BROWN assumes no responsibility for inaccuracies or omissions. BURR-BROWN assumes no responsibility for the use of this information, and all use of such information shall be entirely at the user's own risk. Prices and specifications are subject to change without notice. No patent rights or licenses to any of the circuits described herein are implied or granted to any third party. BURR-BROWN does not authorize or warrant any BURR-BROWN product for use in life support devices and/or systems.

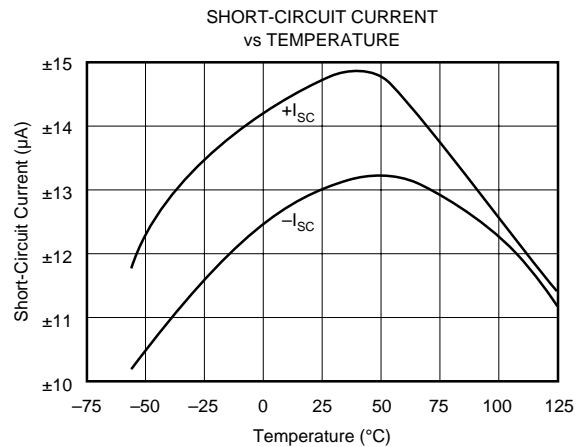
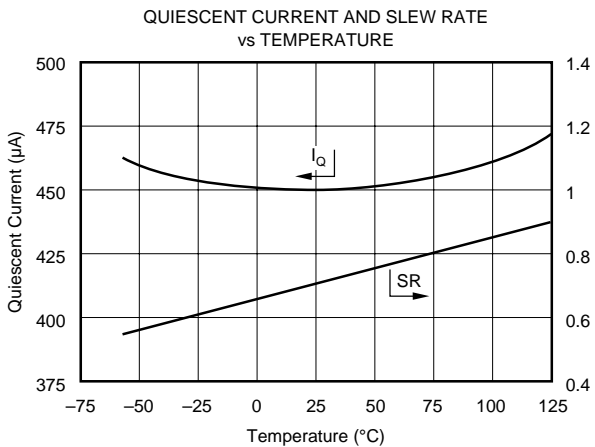
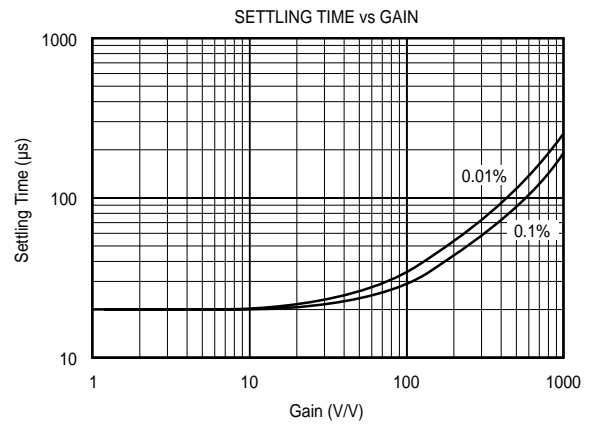
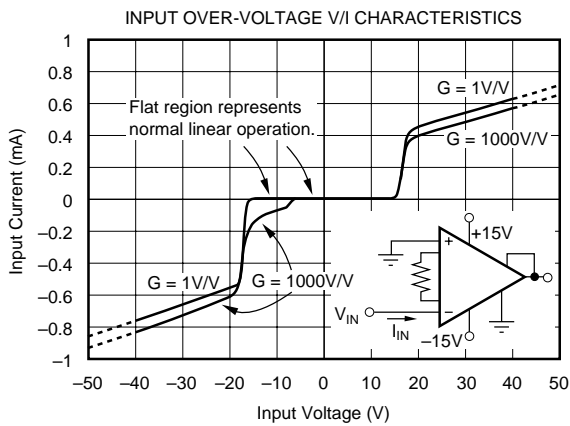
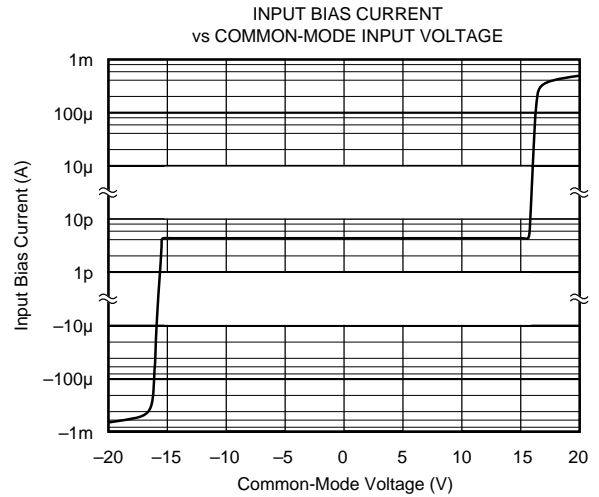
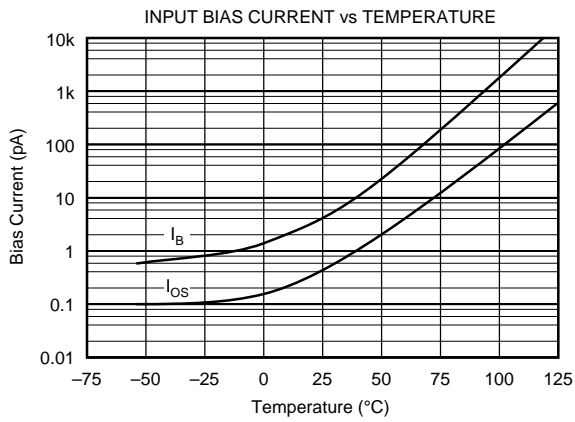
# TYPICAL PERFORMANCE CURVES

At  $T_A = +25^\circ\text{C}$ ,  $V_S = \pm 15\text{V}$ , unless otherwise noted.



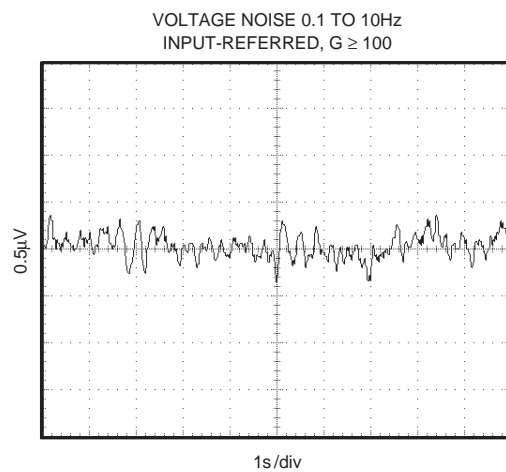
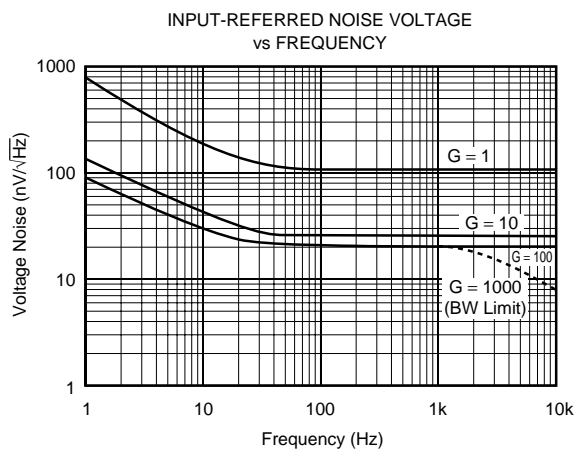
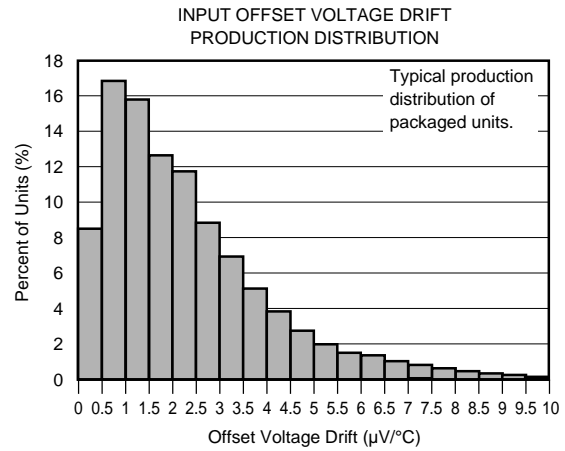
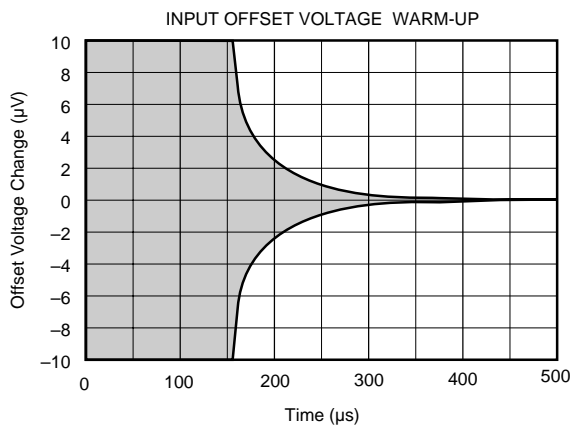
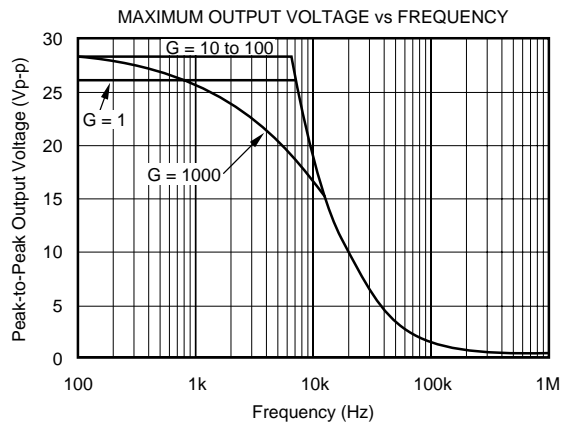
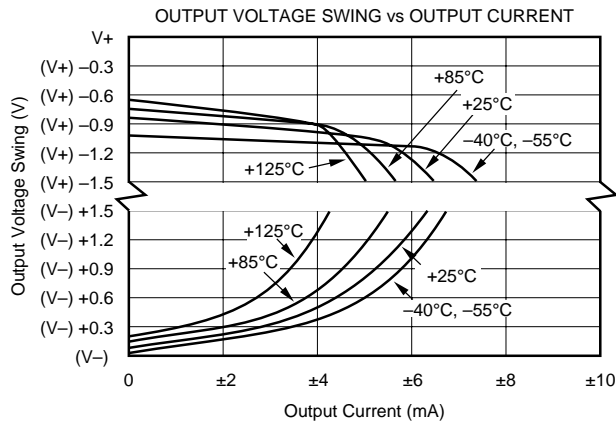
# TYPICAL PERFORMANCE CURVES (CONT)

At  $T_A = +25^\circ\text{C}$ ,  $V_S = \pm 15\text{V}$ , unless otherwise noted.



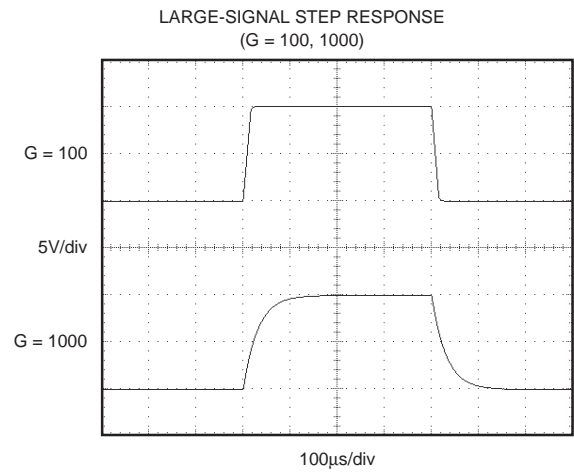
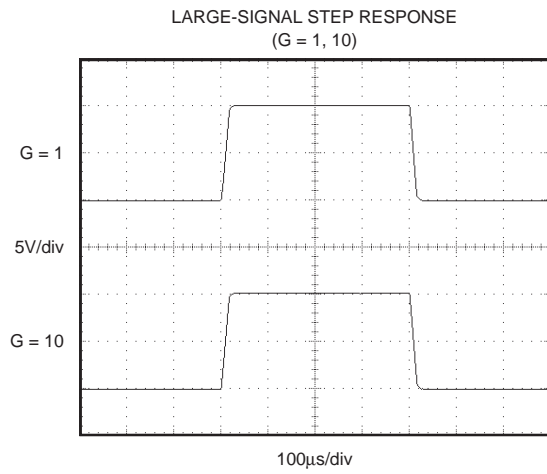
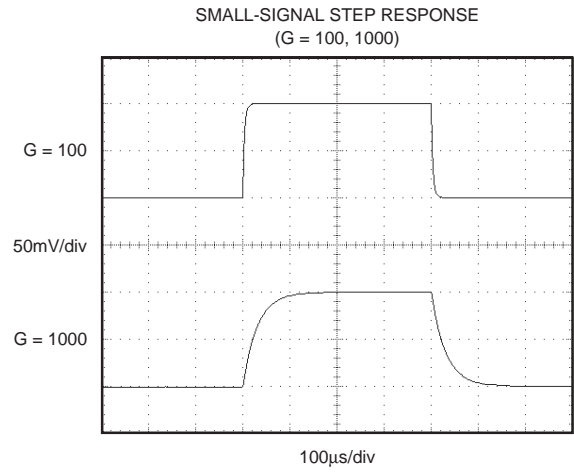
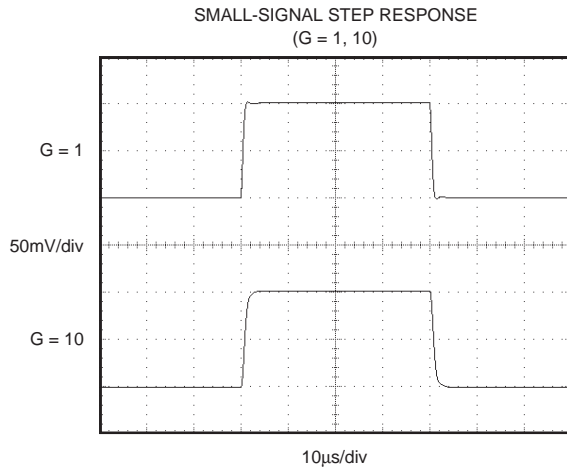
# TYPICAL PERFORMANCE CURVES (CONT)

At  $T_A = +25^\circ\text{C}$ ,  $V_S = \pm 15\text{V}$ , unless otherwise noted.



# TYPICAL PERFORMANCE CURVES (CONT)

At  $T_A = +25^\circ\text{C}$ ,  $V_S = \pm 15\text{V}$ , unless otherwise noted.



# APPLICATION INFORMATION

Figure 1 shows the basic connections required for operation of the INA121. Applications with noisy or high impedance power supplies may require decoupling capacitors close to the device pins as shown.

The output is referred to the output reference (Ref) terminal which is normally grounded. This must be a low-impedance connection to assure good common-mode rejection. A resistance of 8Ω in series with the Ref pin will cause a typical device to degrade to approximately 80dB CMR ( $G = 1$ ).

## SETTING THE GAIN

Gain of the INA121 is set by connecting a single external resistor,  $R_G$ , connected between pins 1 and 8:

$$G = 1 + \frac{50k\Omega}{R_G} \quad (1)$$

Commonly used gains and resistor values are shown in Figure 1.

The 50kΩ term in Equation 1 comes from the sum of the two internal feedback resistors of  $A_1$  and  $A_2$ . These on-chip metal film resistors are laser trimmed to accurate absolute values. The accuracy and temperature coefficient of these resistors are included in the gain accuracy and drift specifications of the INA121.

The stability and temperature drift of the external gain setting resistor,  $R_G$ , also affects gain.  $R_G$ 's contribution to gain accuracy and drift can be directly inferred from the gain equation (1). Low resistor values required for high gain can make wiring resistance important. Sockets add to the wiring resistance which will contribute additional gain error (possibly an unstable gain error) in gains of approximately 100 or greater.

## DYNAMIC PERFORMANCE

The typical performance curve "Gain vs Frequency" shows that, despite its low quiescent current, the INA121 achieves wide bandwidth, even at high gain. This is due to the current-feedback topology of the INA121. Settling time also remains excellent at high gain.

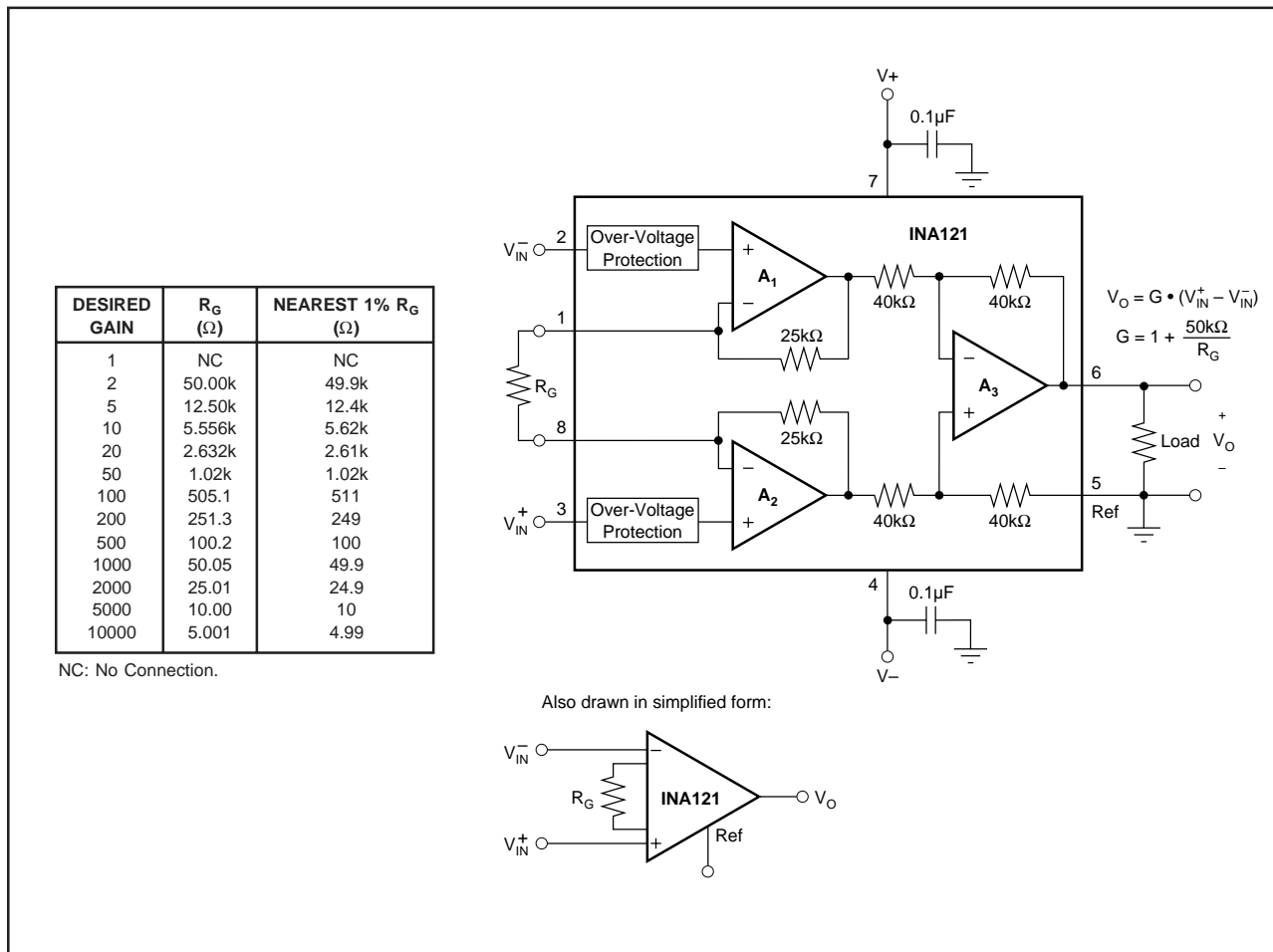


FIGURE 1. Basic Connections.

The INA121 provides excellent rejection of high frequency common-mode signals. The typical performance curve, “Common-Mode Rejection vs Frequency” shows this behavior. If the inputs are not properly balanced, however, common-mode signals can be converted to differential signals. Run the  $V_{IN}^+$  and  $V_{IN}^-$  connections directly adjacent each other, from the source signal all the way to the input pins. If possible use a ground plane under both input traces. Avoid running other potentially noisy lines near the inputs.

### NOISE AND ACCURACY PERFORMANCE

The INA121’s FET input circuitry provides low input bias current and high speed. It achieves lower noise and higher accuracy with high impedance sources. With source impedances of 2k $\Omega$  to 50k $\Omega$  the INA114, INA128, or INA129 may provide lower offset voltage and drift. For very low source impedance ( $\leq 1k\Omega$ ), the INA103 may provide improved accuracy and lower noise. At very high source impedances ( $> 1M\Omega$ ) the INA116 is recommended.

### OFFSET TRIMMING

The INA121 is laser trimmed for low offset voltage and drift. Most applications require no external offset adjustment. Figure 2 shows an optional circuit for trimming the output offset voltage. The voltage applied to Ref terminal is summed at the output. The op amp buffer provides low impedance at the Ref terminal to preserve good common-mode rejection. Trim circuits with higher source impedance should be buffered with an op amp follower circuit to assure low impedance on the Ref pin.

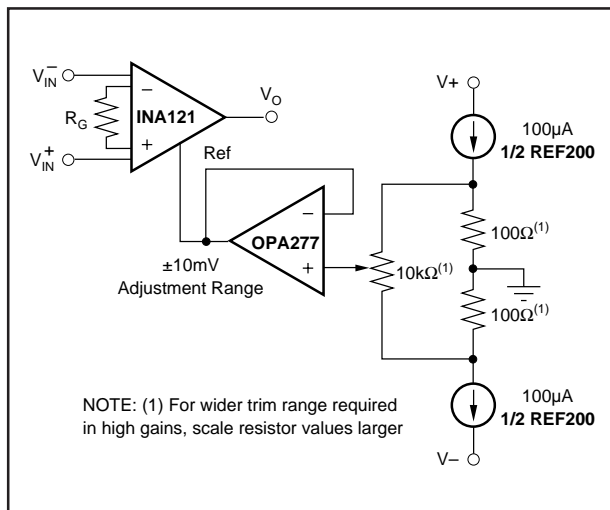


FIGURE 2. Optional Trimming of Output Offset Voltage.

### INPUT BIAS CURRENT RETURN PATH

The input impedance of the INA121 is extremely high—approximately  $10^{12}\Omega$ . However, a path must be provided for the input bias current of both inputs. This input bias current is typically 4pA. High input impedance means that this input bias current changes very little with varying input voltage.

Input circuitry must provide a path for this input bias current if the INA121 is to operate properly. Figure 3 shows various provisions for an input bias current path. Without a bias current return path, the inputs will float to a potential which exceeds the common-mode range of the INA121 and the input amplifiers will saturate.

If the differential source resistance is low, the bias current return path can be connected to one input (see the thermocouple example in Figure 3). With higher source impedance, using two resistors provides a balanced input with possible advantages of lower input offset voltage due to bias current and better high-frequency common-mode rejection.

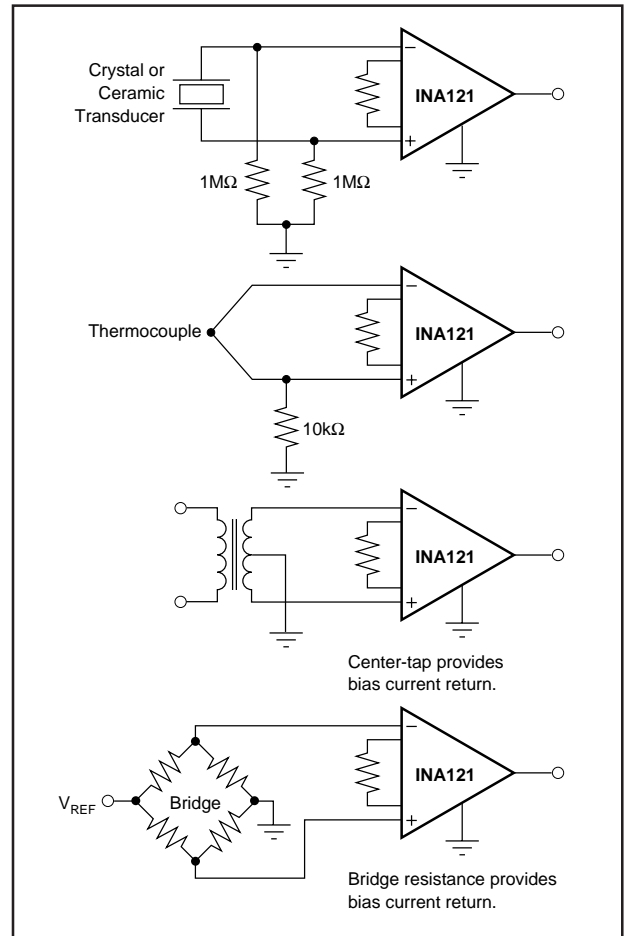


FIGURE 3. Providing an Input Common-Mode Current Path.

### INPUT COMMON-MODE RANGE

The linear input voltage range of the input circuitry of the INA121 is from approximately 1.2V below the positive supply voltage to 2.1V above the negative supply. A differential input voltage causes the output voltage to increase. The linear input range, however, will be limited by the output voltage swing of amplifiers  $A_1$  and  $A_2$ . So the linear common-mode input range is related to the output voltage of the complete amplifier. This behavior also depends on supply voltage—see typical performance curve “Input Common-Mode Range vs Output Voltage”.

A combination of common-mode and differential input voltage can cause the output of  $A_1$  or  $A_2$  to saturate. Figure 4 shows the output voltage swing of  $A_1$  and  $A_2$  expressed in terms of a common-mode and differential input voltages. For applications where input common-mode range must be maximized, limit the output voltage swing by connecting the INA121 in a lower gain (see performance curve “Input Common-Mode Voltage Range vs Output Voltage”). If necessary, add gain after the INA121 to increase the voltage swing.

Input-overload can produce an output voltage that appears normal. For example, if an input overload condition drives both input amplifiers to their positive output swing limit, the difference voltage measured by the output amplifier will be near zero. The output of  $A_3$  will be near 0V even though both inputs are overloaded.

### LOW VOLTAGE OPERATION

The INA121 can be operated on power supplies as low as  $\pm 2.25V$ . Performance remains excellent with power supplies ranging from  $\pm 2.25V$  to  $\pm 18V$ . Most parameters vary only slightly throughout this supply voltage range—see typical

performance curves. Operation at very low supply voltage requires careful attention to assure that the input voltages remain within their linear range. Voltage swing requirements of internal nodes limit the input common-mode range with low power supply voltage. Typical performance curves, “Input Common-Mode Range vs Output Voltage” show the range of linear operation for  $\pm 15V$ ,  $\pm 5V$ , and  $\pm 2.5V$  supplies.

### INPUT FILTERING

The INA121’s FET input allows use of an R/C input filter without creating large offsets due to input bias current. Figure 5 shows proper implementation of this input filter to preserve the INA121’s excellent high frequency common-mode rejection. Mismatch of the common-mode input time constant ( $R_1C_1$  and  $R_2C_2$ ), either from stray capacitance or mismatched values, causes a high frequency common-mode signal to be converted to a differential signal. This degrades common-mode rejection. The differential input capacitor,  $C_3$ , reduces the bandwidth and mitigates the effects of mismatch in  $C_1$  and  $C_2$ . Make  $C_3$  much larger than  $C_1$  and  $C_2$ . If properly matched,  $C_1$  and  $C_2$  also improve ac CMR.

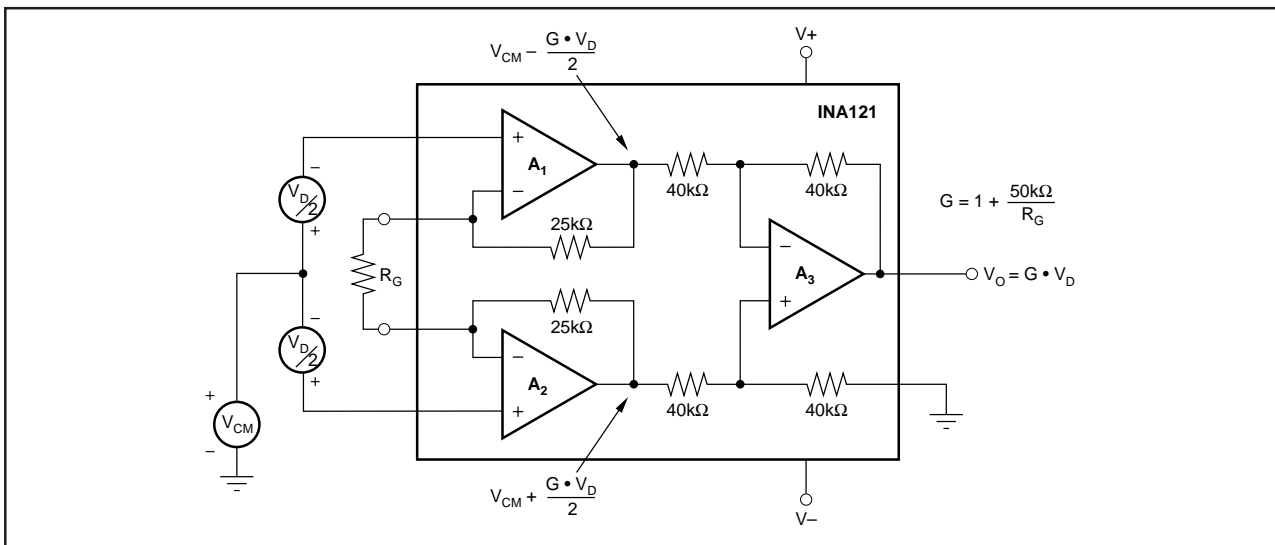


FIGURE 4. Voltage Swing of  $A_1$  and  $A_2$ .

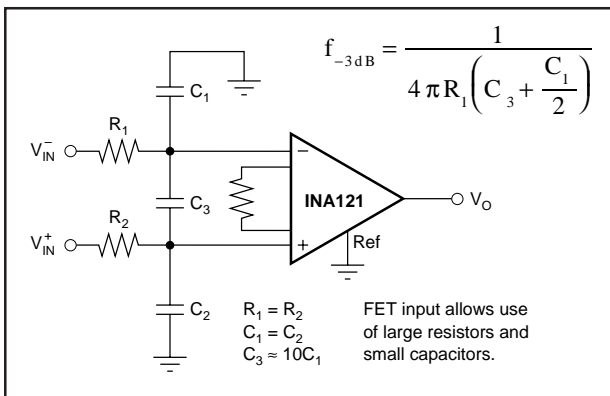


FIGURE 5. Input Low-Pass Filter.

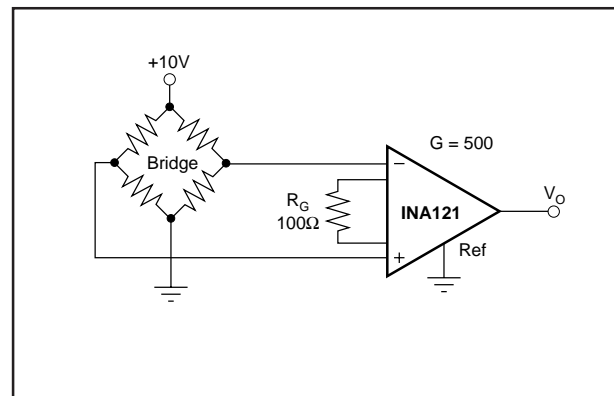


FIGURE 6. Bridge Transducer Amplifier.

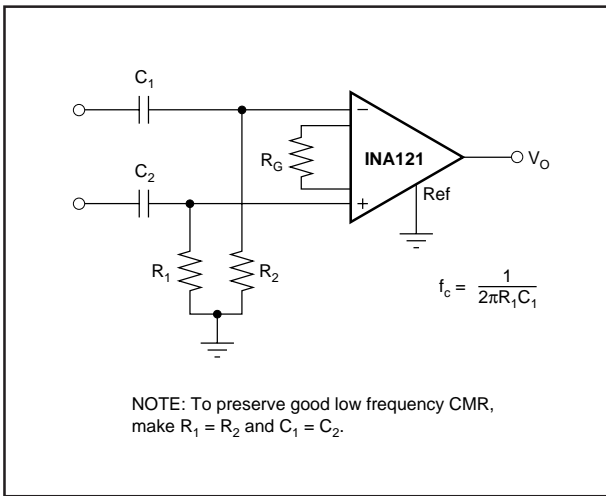


FIGURE 7. High-Pass Input Filter.

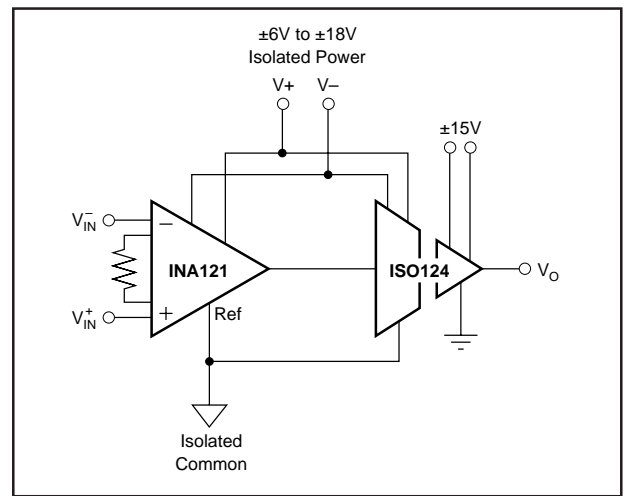


FIGURE 8. Galvanically Isolated Instrumentation Amplifier.

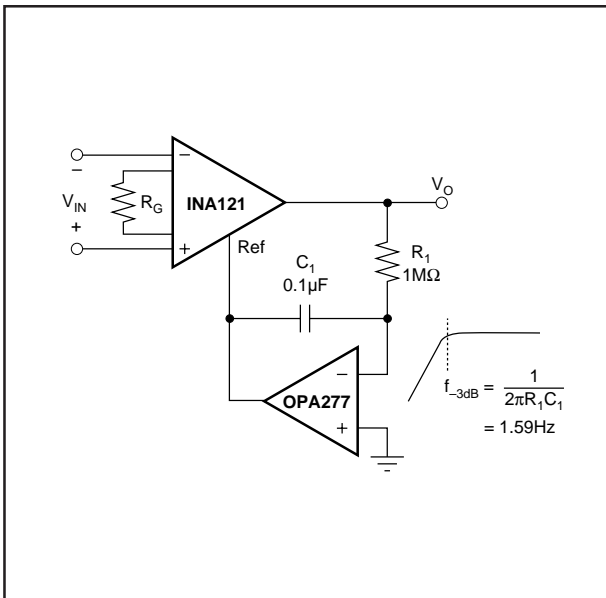


FIGURE 9. AC-Coupled Instrumentation Amplifier.

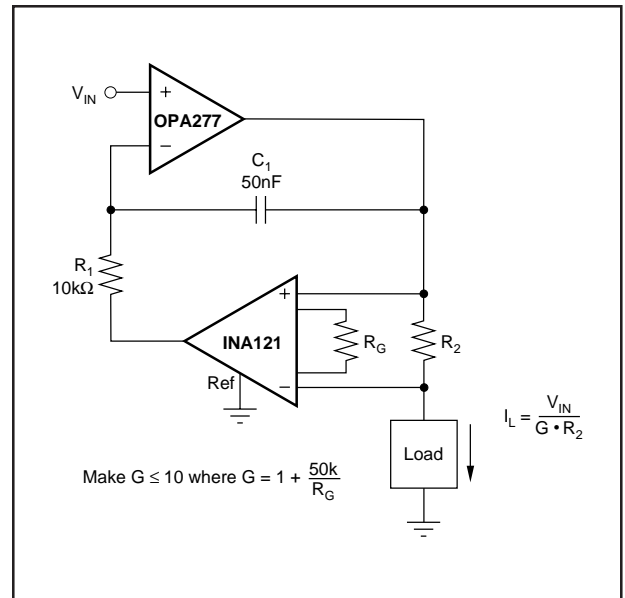


FIGURE 10. Voltage Controlled Current Source.

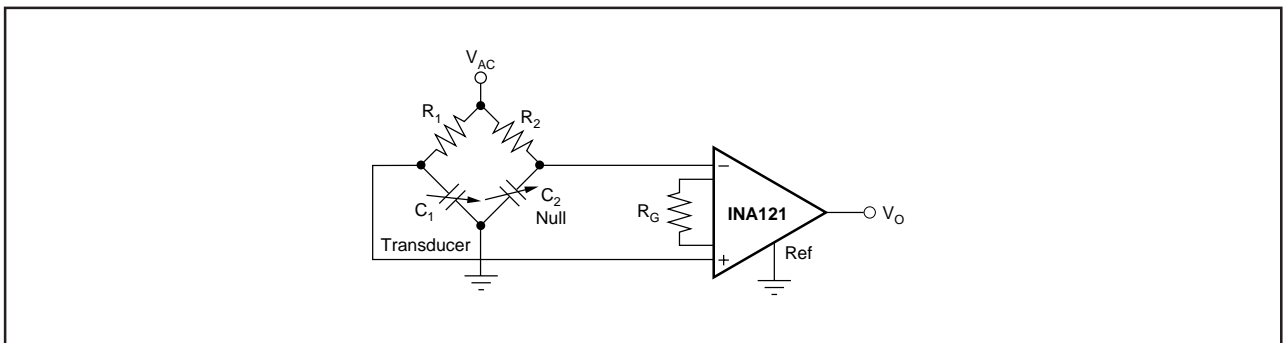


FIGURE 11. Capacitive Bridge Transducer Circuit.

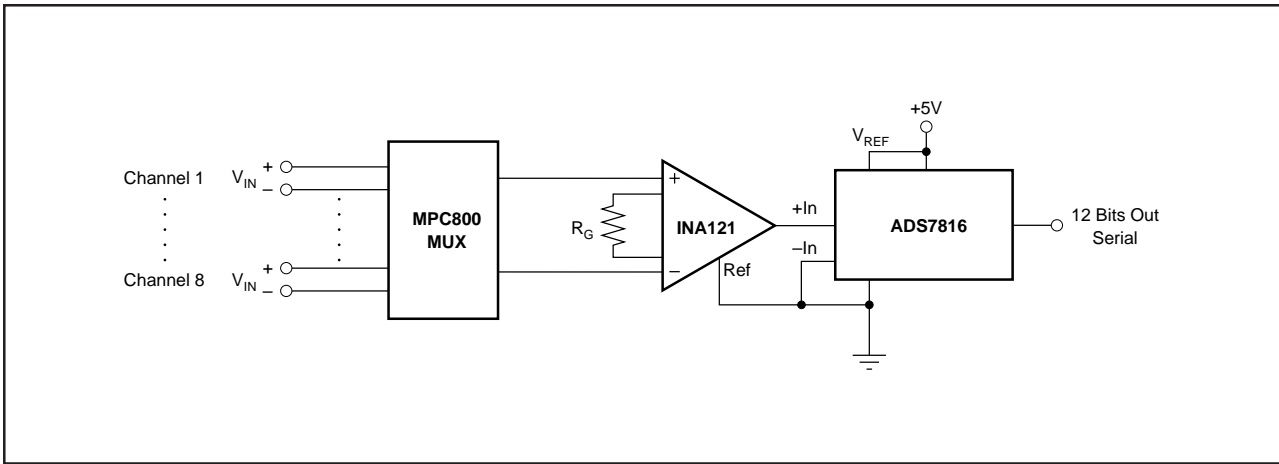


FIGURE 12. Multiplexed-Input Data Acquisition System.

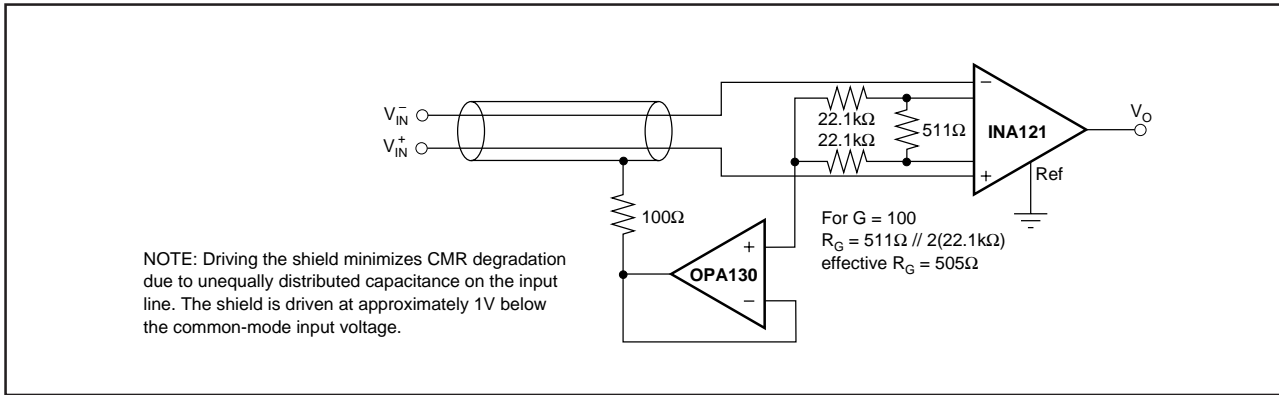


FIGURE 13. Shield Driver Circuit.

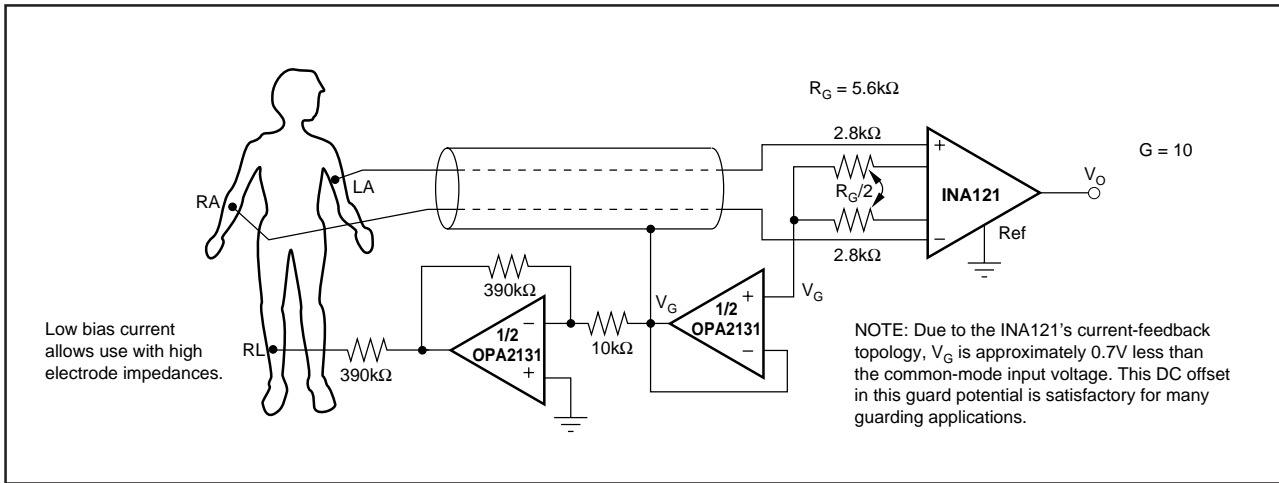


FIGURE 14. ECG Amplifier With Right-Leg Drive.

**PACKAGING INFORMATION**

| Orderable Device | Status<br>(1) | Package Type | Package Drawing | Pins | Package Qty | Eco Plan<br>(2)         | Lead/Ball Finish<br>(6) | MSL Peak Temp<br>(3) | Op Temp (°C) | Device Marking<br>(4/5) | Samples                 |
|------------------|---------------|--------------|-----------------|------|-------------|-------------------------|-------------------------|----------------------|--------------|-------------------------|-------------------------|
| INA121P          | ACTIVE        | PDIP         | P               | 8    | 50          | Green (RoHS & no Sb/Br) | CU NIPDAU               | N / A for Pkg Type   | -40 to 85    | INA121P<br>A            | <a href="#">Samples</a> |
| INA121PA         | ACTIVE        | PDIP         | P               | 8    | 50          | Green (RoHS & no Sb/Br) | CU NIPDAU               | N / A for Pkg Type   |              | INA121P<br>A            | <a href="#">Samples</a> |
| INA121U          | ACTIVE        | SOIC         | D               | 8    | 75          | Green (RoHS & no Sb/Br) | CU NIPDAU               | Level-3-260C-168 HR  |              | INA<br>121U             | <a href="#">Samples</a> |
| INA121U/2K5      | ACTIVE        | SOIC         | D               | 8    | 2500        | Green (RoHS & no Sb/Br) | CU NIPDAU               | Level-3-260C-168 HR  |              | INA<br>121U             | <a href="#">Samples</a> |
| INA121U/2K5G4    | ACTIVE        | SOIC         | D               | 8    | 2500        | Green (RoHS & no Sb/Br) | CU NIPDAU               | Level-3-260C-168 HR  |              | INA<br>121U             | <a href="#">Samples</a> |
| INA121UA         | ACTIVE        | SOIC         | D               | 8    | 75          | Green (RoHS & no Sb/Br) | CU NIPDAU               | Level-3-260C-168 HR  |              | INA<br>121U<br>A        | <a href="#">Samples</a> |
| INA121UA/2K5     | ACTIVE        | SOIC         | D               | 8    | 2500        | Green (RoHS & no Sb/Br) | CU NIPDAU               | Level-3-260C-168 HR  |              | INA<br>121U<br>A        | <a href="#">Samples</a> |
| INA121UAE4       | ACTIVE        | SOIC         | D               | 8    | 75          | Green (RoHS & no Sb/Br) | CU NIPDAU               | Level-3-260C-168 HR  |              | INA<br>121U<br>A        | <a href="#">Samples</a> |
| INA121UG4        | ACTIVE        | SOIC         | D               | 8    | 75          | Green (RoHS & no Sb/Br) | CU NIPDAU               | Level-3-260C-168 HR  |              | INA<br>121U             | <a href="#">Samples</a> |

(1) The marketing status values are defined as follows:

**ACTIVE:** Product device recommended for new designs.

**LIFEBUY:** TI has announced that the device will be discontinued, and a lifetime-buy period is in effect.

**NRND:** Not recommended for new designs. Device is in production to support existing customers, but TI does not recommend using this part in a new design.

**PREVIEW:** Device has been announced but is not in production. Samples may or may not be available.

**OBsolete:** TI has discontinued the production of the device.

(2) **RoHS:** TI defines "RoHS" to mean semiconductor products that are compliant with the current EU RoHS requirements for all 10 RoHS substances, including the requirement that RoHS substance do not exceed 0.1% by weight in homogeneous materials. Where designed to be soldered at high temperatures, "RoHS" products are suitable for use in specified lead-free processes. TI may reference these types of products as "Pb-Free".

**RoHS Exempt:** TI defines "RoHS Exempt" to mean products that contain lead but are compliant with EU RoHS pursuant to a specific EU RoHS exemption.

**Green:** TI defines "Green" to mean the content of Chlorine (Cl) and Bromine (Br) based flame retardants meet JS709B low halogen requirements of <=1000ppm threshold. Antimony trioxide based flame retardants must also meet the <=1000ppm threshold requirement.

- (3) MSL, Peak Temp. - The Moisture Sensitivity Level rating according to the JEDEC industry standard classifications, and peak solder temperature.
- (4) There may be additional marking, which relates to the logo, the lot trace code information, or the environmental category on the device.
- (5) Multiple Device Markings will be inside parentheses. Only one Device Marking contained in parentheses and separated by a "~" will appear on a device. If a line is indented then it is a continuation of the previous line and the two combined represent the entire Device Marking for that device.
- (6) Lead/Ball Finish - Orderable Devices may have multiple material finish options. Finish options are separated by a vertical ruled line. Lead/Ball Finish values may wrap to two lines if the finish value exceeds the maximum column width.

**Important Information and Disclaimer:**The information provided on this page represents TI's knowledge and belief as of the date that it is provided. TI bases its knowledge and belief on information provided by third parties, and makes no representation or warranty as to the accuracy of such information. Efforts are underway to better integrate information from third parties. TI has taken and continues to take reasonable steps to provide representative and accurate information but may not have conducted destructive testing or chemical analysis on incoming materials and chemicals. TI and TI suppliers consider certain information to be proprietary, and thus CAS numbers and other limited information may not be available for release.

In no event shall TI's liability arising out of such information exceed the total purchase price of the TI part(s) at issue in this document sold by TI to Customer on an annual basis.

## TAPE AND REEL INFORMATION



### QUADRANT ASSIGNMENTS FOR PIN 1 ORIENTATION IN TAPE



\*All dimensions are nominal

| Device       | Package Type | Package Drawing | Pins | SPQ  | Reel Diameter (mm) | Reel Width W1 (mm) | A0 (mm) | B0 (mm) | K0 (mm) | P1 (mm) | W (mm) | Pin1 Quadrant |
|--------------|--------------|-----------------|------|------|--------------------|--------------------|---------|---------|---------|---------|--------|---------------|
| INA121U/2K5  | SOIC         | D               | 8    | 2500 | 330.0              | 12.4               | 6.4     | 5.2     | 2.1     | 8.0     | 12.0   | Q1            |
| INA121UA/2K5 | SOIC         | D               | 8    | 2500 | 330.0              | 12.4               | 6.4     | 5.2     | 2.1     | 8.0     | 12.0   | Q1            |

**TAPE AND REEL BOX DIMENSIONS**



\*All dimensions are nominal

| Device       | Package Type | Package Drawing | Pins | SPQ  | Length (mm) | Width (mm) | Height (mm) |
|--------------|--------------|-----------------|------|------|-------------|------------|-------------|
| INA121U/2K5  | SOIC         | D               | 8    | 2500 | 367.0       | 367.0      | 35.0        |
| INA121UA/2K5 | SOIC         | D               | 8    | 2500 | 367.0       | 367.0      | 35.0        |



D0008A

# PACKAGE OUTLINE

SOIC - 1.75 mm max height

SMALL OUTLINE INTEGRATED CIRCUIT



4214825/C 02/2019

# EXAMPLE BOARD LAYOUT

D0008A

SOIC - 1.75 mm max height

SMALL OUTLINE INTEGRATED CIRCUIT



LAND PATTERN EXAMPLE  
 EXPOSED METAL SHOWN  
 SCALE:8X



SOLDER MASK DETAILS

4214825/C 02/2019

NOTES: (continued)

- 6. Publication IPC-7351 may have alternate designs.
- 7. Solder mask tolerances between and around signal pads can vary based on board fabrication site.

# EXAMPLE STENCIL DESIGN

D0008A

SOIC - 1.75 mm max height

SMALL OUTLINE INTEGRATED CIRCUIT



SOLDER PASTE EXAMPLE  
BASED ON .005 INCH [0.125 MM] THICK STENCIL  
SCALE:8X

4214825/C 02/2019

NOTES: (continued)

8. Laser cutting apertures with trapezoidal walls and rounded corners may offer better paste release. IPC-7525 may have alternate design recommendations.
9. Board assembly site may have different recommendations for stencil design.

P (R-PDIP-T8)

PLASTIC DUAL-IN-LINE PACKAGE



- NOTES:
- A. All linear dimensions are in inches (millimeters).
  - B. This drawing is subject to change without notice.
  - C. Falls within JEDEC MS-001 variation BA.

## IMPORTANT NOTICE AND DISCLAIMER

TI PROVIDES TECHNICAL AND RELIABILITY DATA (INCLUDING DATASHEETS), DESIGN RESOURCES (INCLUDING REFERENCE DESIGNS), APPLICATION OR OTHER DESIGN ADVICE, WEB TOOLS, SAFETY INFORMATION, AND OTHER RESOURCES "AS IS" AND WITH ALL FAULTS, AND DISCLAIMS ALL WARRANTIES, EXPRESS AND IMPLIED, INCLUDING WITHOUT LIMITATION ANY IMPLIED WARRANTIES OF MERCHANTABILITY, FITNESS FOR A PARTICULAR PURPOSE OR NON-INFRINGEMENT OF THIRD PARTY INTELLECTUAL PROPERTY RIGHTS.

These resources are intended for skilled developers designing with TI products. You are solely responsible for (1) selecting the appropriate TI products for your application, (2) designing, validating and testing your application, and (3) ensuring your application meets applicable standards, and any other safety, security, or other requirements. These resources are subject to change without notice. TI grants you permission to use these resources only for development of an application that uses the TI products described in the resource. Other reproduction and display of these resources is prohibited. No license is granted to any other TI intellectual property right or to any third party intellectual property right. TI disclaims responsibility for, and you will fully indemnify TI and its representatives against, any claims, damages, costs, losses, and liabilities arising out of your use of these resources.

TI's products are provided subject to TI's Terms of Sale ([www.ti.com/legal/termsofsale.html](http://www.ti.com/legal/termsofsale.html)) or other applicable terms available either on [ti.com](http://ti.com) or provided in conjunction with such TI products. TI's provision of these resources does not expand or otherwise alter TI's applicable warranties or warranty disclaimers for TI products.

Mailing Address: Texas Instruments, Post Office Box 655303, Dallas, Texas 75265  
Copyright © 2019, Texas Instruments Incorporated

## Looking for pricing, stock, or lifecycle information?

Click below to explore more details on WIN SOURCE:

 [View INA121UA](#) on WIN SOURCE

 [Texas Instruments](#) Information

## Optimize Your Supply Chain with WIN SOURCE Solutions

-  Global Sourcing Solution
-  Obsolete Management
-  Cost Control Management
-  Shortage Management
-  Alternative Solution
-  Excess Inventory Management