



THE DATASHEET OF
2455RP-91000437



DO NOT SCALE ALL DIMENSIONS ARE FOR REFERENCE ONLY

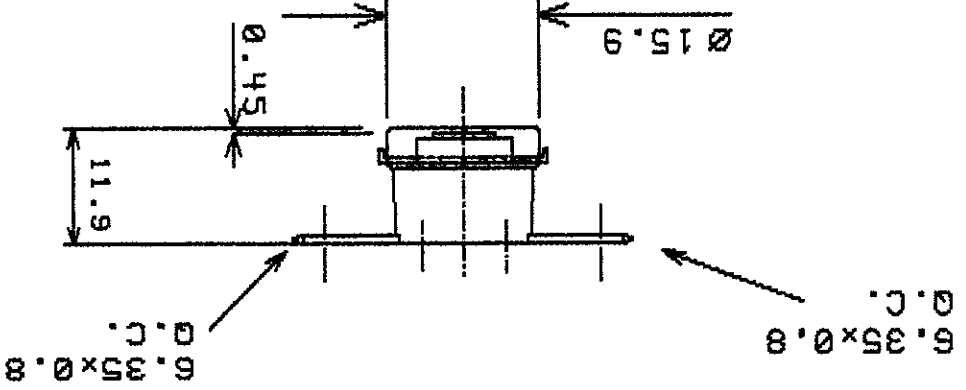
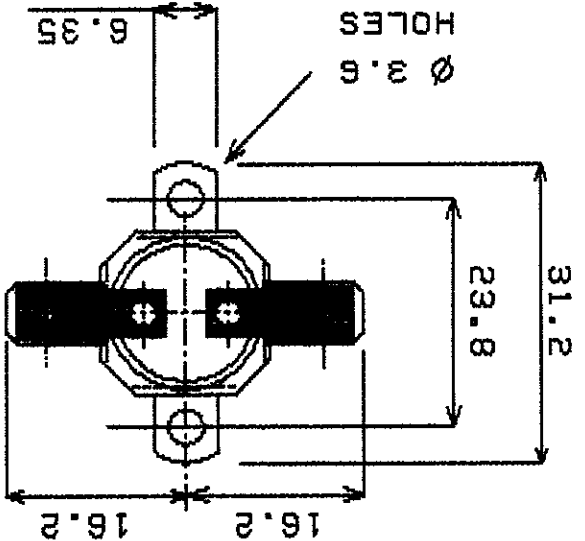
OPERATING CRITERIA

VOLTS: 240 AMPS: 10 HZ: 50

OPERATING TEMPS. DEG.C

OPEN: 90 ± 3

CLOSE: 75 ± 5



NOTE! ORIENTATION OF BRACKET IS NOT FIXED

CODING REQUIREMENTS

COLOUR: LASER CODE
L90C RP 9100 497XXX

(XXX = DATE CODING)

CAP: B200 MAT'L: ALUMINIUM

BRK1: B203S MAT'L: STEEL

PLATING: NICKEL

TERMINAL: T148

MATERIAL: BRASS

PLATING:



ELMWOOD
SENSORS LTD

ELMWOOD DEVICE & UNIQUE PART N°
2455RP-9100-437

ELMWOOD DRG N°. ISSUE
965205 B

DATE OF ISSUE STAMP

7 JUL 1998

Looking for pricing, stock, or lifecycle information?

Click below to explore more details on WIN SOURCE:

 [View 2455RP-91000437](#) on WIN SOURCE

 [Honeywell](#) Information

Optimize Your Supply Chain with WIN SOURCE Solutions

-  Global Sourcing Solution
-  Obsolete Management
-  Cost Control Management
-  Shortage Management
-  Alternative Solution
-  Excess Inventory Management