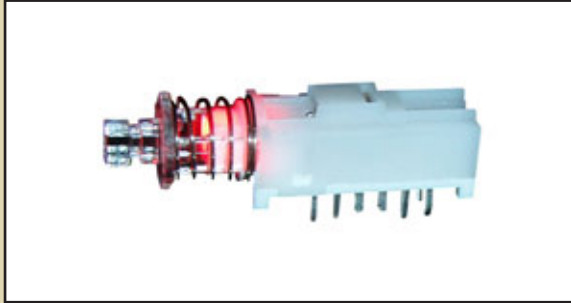


SERIES WBL SWITCHES



ILLUMINATED PUSHBUTTON SWITCH



MECHANICAL SPECIFICATIONS

Mechanical Life:	10,000 cycles
Force:	200 +/- 100 grams
Travel:	Full: 3.30 +/- 0.3mm; To Lock: 2.50 +/- 0.3mm

ELECTRICAL SPECIFICATIONS

Contact Arrangement:	DPDT & 4PDT
Contact Rating:	30VDC, 300mA
Contact Resistance:	50mΩ (initial max)
Insulation Resistance:	100MΩ (Min @ 500VDC)
Dielectric Strength:	500VAC

ENVIRONMENTAL SPECIFICATIONS

Operating Temperature:	-20°C to +70°C
Storage Temperature:	-20°C to +70°C

FEATURES & BENEFITS

- 2 or 4 pole options
- Cap Option
- Multiple LED colors

APPLICATIONS / MARKETS

- Telecommunications
- Consumer electronics
- Audio/Visual
- Medical equipment
- Computer/servers/peripherals

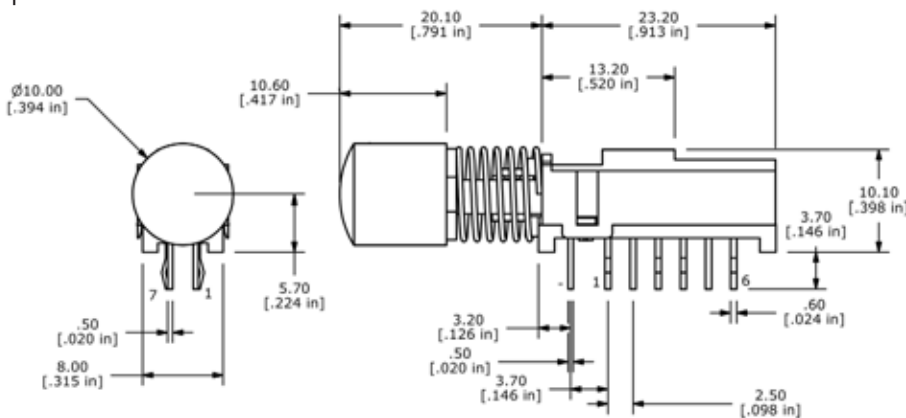
HOW TO ORDER:

SERIES	POLES	CONFIGURATION	LED COLOR	PLATING	BUTTON (optional)	BUTTON COLOR (optional)
WBL	 2U = 2 pole 4U = 4 pole	 OA = Momentary EE = Latching	 R = Red G = Green Y = Yellow X = None B = Blue RG = Red-Green RB = Red-Blue RY = Red-Yellow GB = Green-Blue GY = Green-Yellow YB = Yellow-Blue	 Q = Silver	 R05 = 10mm Dia.	 CLR = Transparent

Parts to be packaged in trays, 84 pieces per tray.

Specifications subject to change without notice.

Optional Button:



LED SPECIFICATIONS

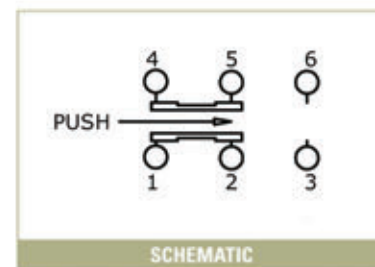
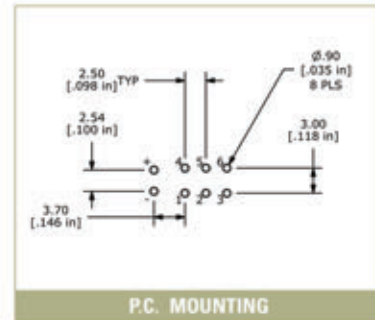
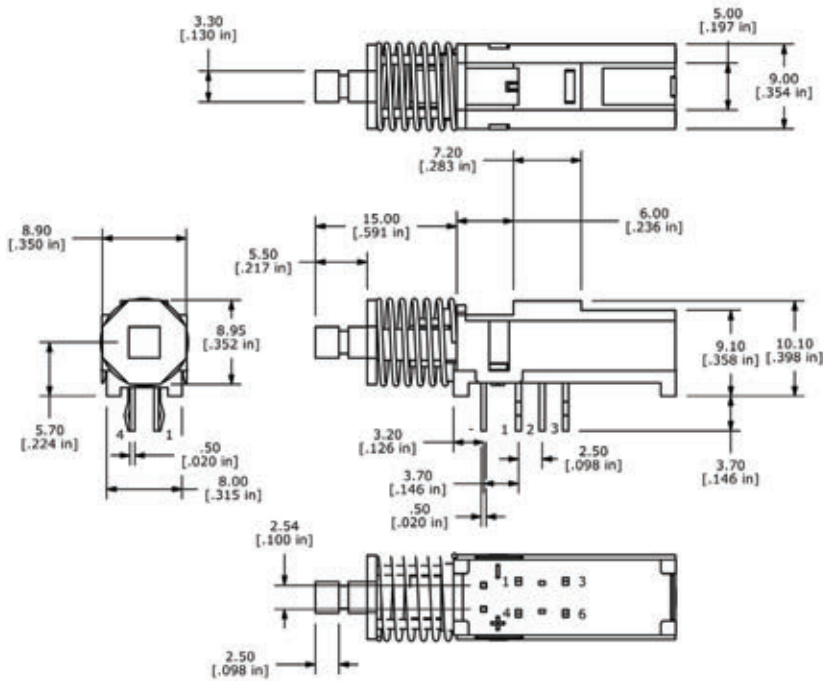
	Units	Blue	Red	Green	Yellow
Forward Current	mA	20mA	20mA	20mA	20mA
Forward Voltage @ 20mA	VDC	3.5 typ - 4.0 max	1.7 typ - 2.6 max	1.7 typ - 2.6 max	1.7 typ - 2.6 max
Luminous Intensity @ 20mA	mcd	350 typ	1.6 typ	4.7 typ	4.7 typ

SERIES WBL SWITCHES

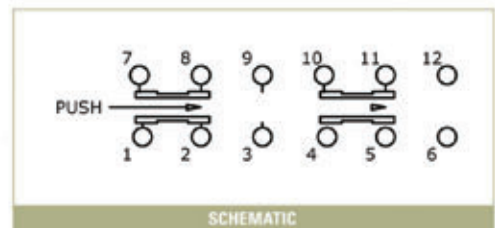
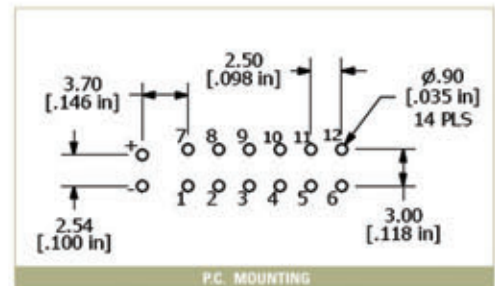
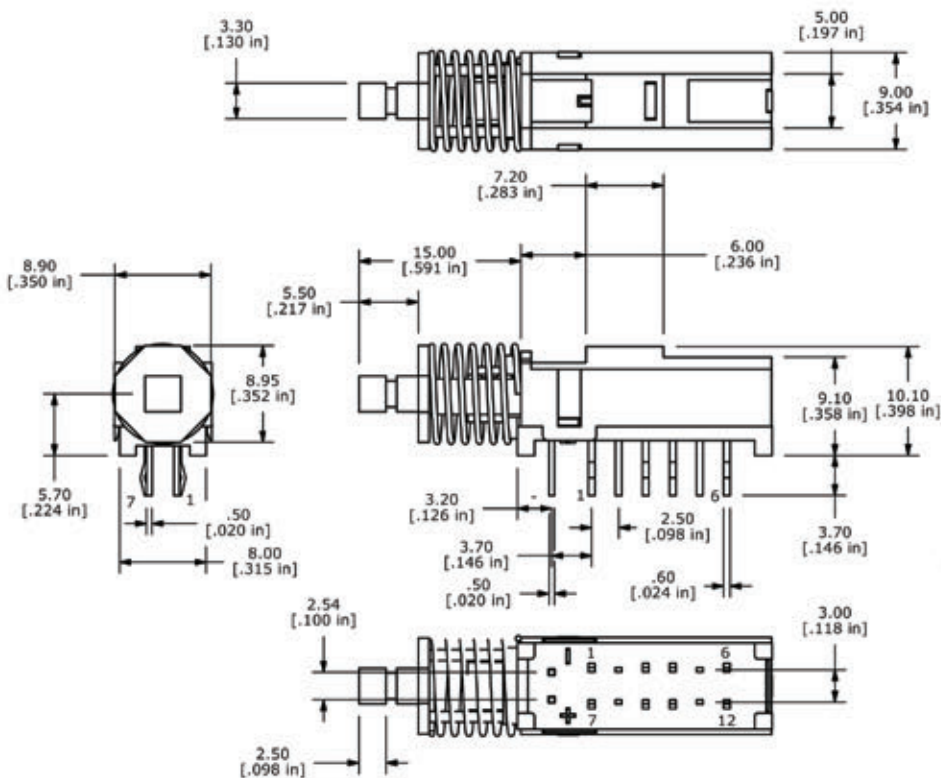


E-SWITCH®

2 Pole Option:



4 Pole Option:



Looking for pricing, stock, or lifecycle information?

Click below to explore more details on WIN SOURCE:

 View [WBL2UEEGQR05SILPWR](#) on WIN SOURCE

 [E-SWITCH](#) Information

Optimize Your Supply Chain with WIN SOURCE Solutions

-  Global Sourcing Solution
-  Obsolete Management
-  Cost Control Management
-  Shortage Management
-  Alternative Solution
-  Excess Inventory Management