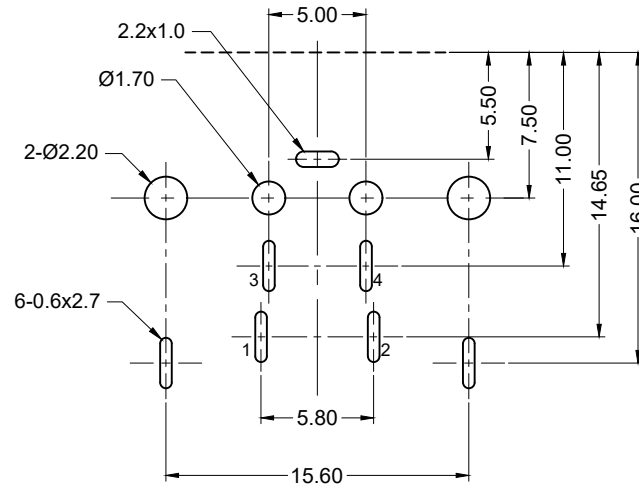
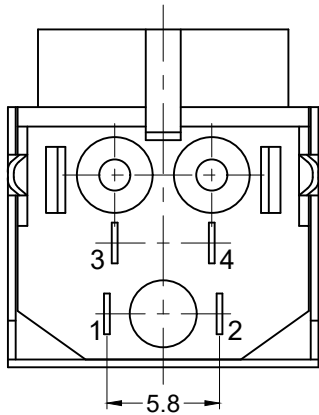
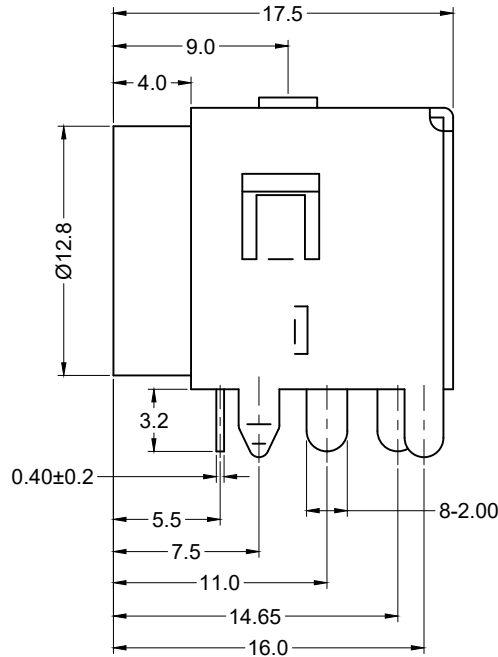
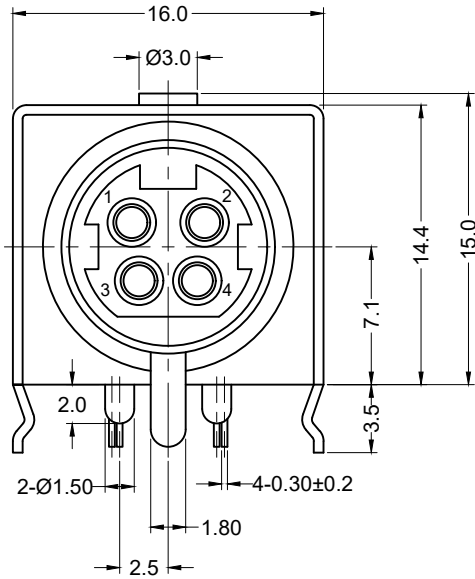


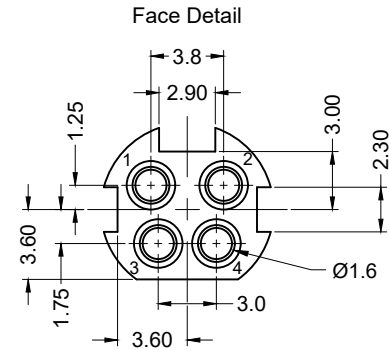


**THE DATASHEET OF
KPJXHT-4S-S**





Recommended PCB Layout



Material and Finish

Body: High Temperature, Thermoplastic,
UL94V-0 Rated
Color: Black

Contacts: Brass, Tin Plated

Inner Shield: Copper Alloy, Tin Plated

Outer Shield: Steel, Tin Plated

Electrical Characteristics

Contact Rating (Per Pin):
7.5A Max. @ 48V DC

Insulation Resistance:
50 Megohms Min. at 250V DC

Dielectric Withstanding Voltage:
500V AC RMS for 1 Min.

Contact Resistance:
30 milliohms Max.

Mechanical Characteristics

Operating Temperature:
-40°C to 85°C

Note:
Recommended for use with Kycon KPPX plug.

Tolerances

X.X ± 0.35
X.XX ± 0.25
Unless Stated
Otherwise

RoHS COMPLIANT

cRU[®] us
E140125

REV.	DATE	DESCRIPTION	REV. BY	CHK. BY	DRAWN BY	DATE
A8	09/18/15	ECO #15-010	C. Kelleher	W. Cook	H. MA	5/10/05
A9	02/26/16	ECO #16-005	C. Kelleher	W. Cook		
A10	08/20/18	ECO #18-034	G. Serrato	D. Shehan		
A11	10/05/18	ECO #18-051	G. Serrato	D. Shehan		
A12	08/29/22	ECO #22-004	W. Cook	C. Furumasa		
A13	02/11/25	ECO #24-021	L. Wang	NA		

KPJXHT-4S-S



DC Power Jack, RoHS Compliant

4 Position, Shielded, High Temperature



Looking for pricing, stock, or lifecycle information?

Click below to explore more details on WIN SOURCE:

-  [View KPJXHT-4S-S on WIN SOURCE](#)
-  [Kycon, Inc. Information](#)

Optimize Your Supply Chain with WIN SOURCE Solutions

-  Global Sourcing Solution
-  Obsolete Management
-  Cost Control Management
-  Shortage Management
-  Alternative Solution
-  Excess Inventory Management