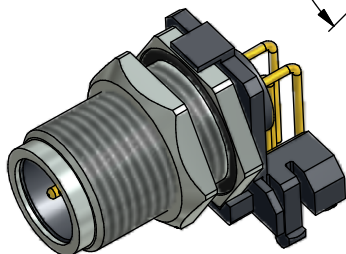
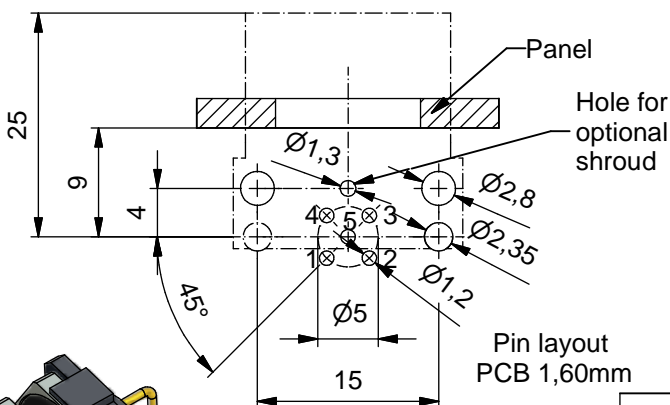
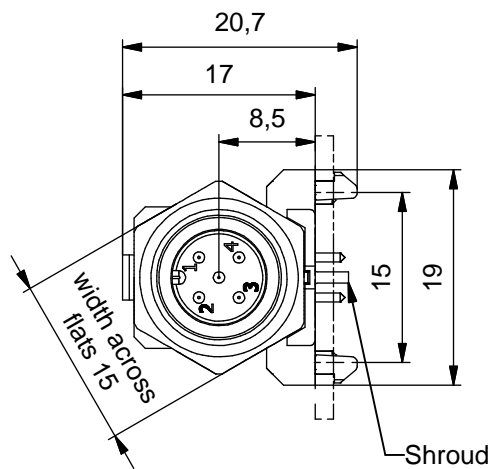
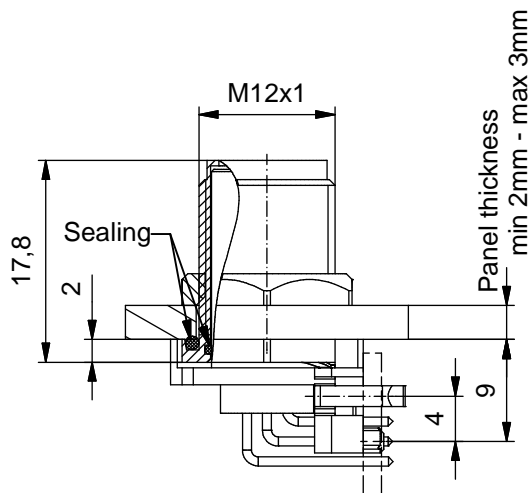




THE DATASHEET OF
43-01207





Technical specification:

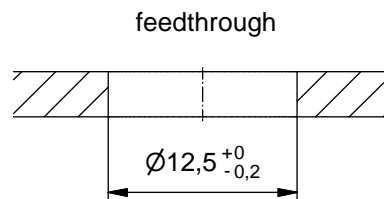
Rated voltage: IEC 61076-2-101	4pos 5pos 250 V 60 V
Current rating: IEC 61076-2-101	4 A at 40°C
Insulation resistance: IEC 60512	≥100 MΩ
Pollution degree: IEC 60664-1	3/2
Degree of protection: IEC 60529	IP 67, in mated condition
Temperature range: IEC 60664-1	-30°C ... +85°C
Mating cycles: IEC 60512-9a	≥100

Materials:

Contact:	CuZn
Contact plating:	Nickel, gold plated
Contact carrier:	PA6.6, UL 94
Sealing:	FPM
Socket housing:	CuZn, nickel plated
Shroud:	CuSn6
-plating:	Tin plated

Installation specification:

recommended torque:	0,8-1 Nm
Conec installation tool:	Torque wrench: 36-000200 Insert across flats 15: 36-000320



Part no:	Description:	Pos	Note:
43-01204	SAL - 12 - FSHW4	4	
43-01205	SAL - 12S - FSHW4	4	with shroud
43-01206	SAL - 12 - FSHW5.1	5	
43-01207	SAL - 12S - FSHW5.1	5	with shroud

DO NOT ALTER CAD DRAWING BY HAND	Directive 2002/95/EC RoHS compliant	Index: a 25.03.11 fro Ä3914 Data sheet revised, technical specification changed	dim. in mm	title: Male socket M12x1 angled, backmounting, dip solder								
		<table border="1" style="width: 100%; border-collapse: collapse;"> <tr> <td style="width: 30px;"></td> <td style="width: 30px;">date</td> <td style="width: 30px;">name</td> </tr> <tr> <td>drawn</td> <td>17.10.07</td> <td>Fromm</td> </tr> <tr> <td>appd.</td> <td>29.02.08</td> <td>W. Schmidt</td> </tr> </table>			date	name	drawn	17.10.07	Fromm	appd.	29.02.08	W. Schmidt
			date	name								
		drawn	17.10.07	Fromm								
appd.	29.02.08	W. Schmidt										
THIS DRAWING MAY NOT BE COPIED OR REPRODUCED IN ANY WAY, AND MAY NOT BE PASSED ON TO A THIRD PARTY WITHOUT WRITTEN PERMISSION. OWNERSHIP AND COPYRIGHT OF CONEC GmbH				part no: 43K1A512								

Looking for pricing, stock, or lifecycle information?

Click below to explore more details on WIN SOURCE:

 [View 43-01207](#) on WIN SOURCE

 [Manufacturer](#) Information

Optimize Your Supply Chain with WIN SOURCE Solutions

-  Global Sourcing Solution
-  Obsolete Management
-  Cost Control Management
-  Shortage Management
-  Alternative Solution
-  Excess Inventory Management