



**THE DATASHEET OF  
TS0101F020V4**





# SERIES TS SWITCHES

## SNAP ACTION SWITCHES - SUB-MINIATURE



### SPECIFICATIONS

Contact Rating:	0.3A @ 6VDC
Electrical Life:	50,000 cycles typical
Mechanical Life:	100,000 cycles
Insulation Resistance:	100M ohms minimum @ 100VDC
Dielectric Strength:	250 VAC for 60 seconds
Operating Temperature:	-25C to 85C
Storage Temperature:	-30C to 85C

### FEATURES & BENEFITS

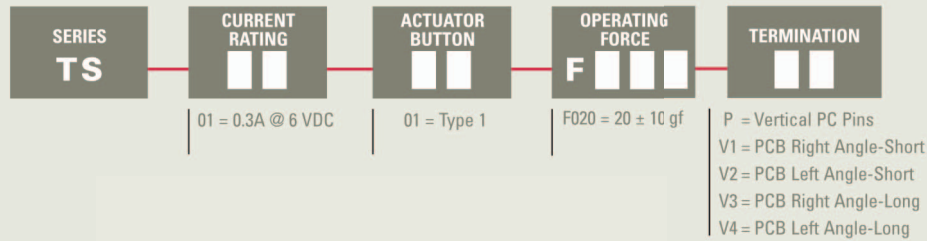
- ▶ Sub miniature snap action switch
- ▶ Vertical and right angle pc pin termination

### APPLICATIONS/MARKETS

- ▶ Security/detection
- ▶ Appliance
- ▶ Instrumentation
- ▶ Power tools



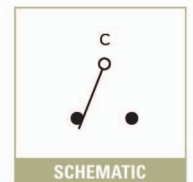
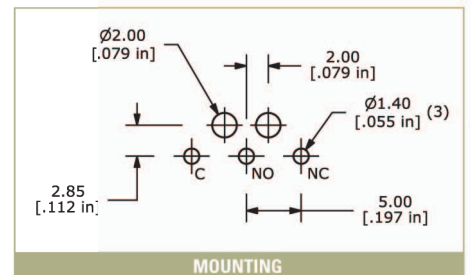
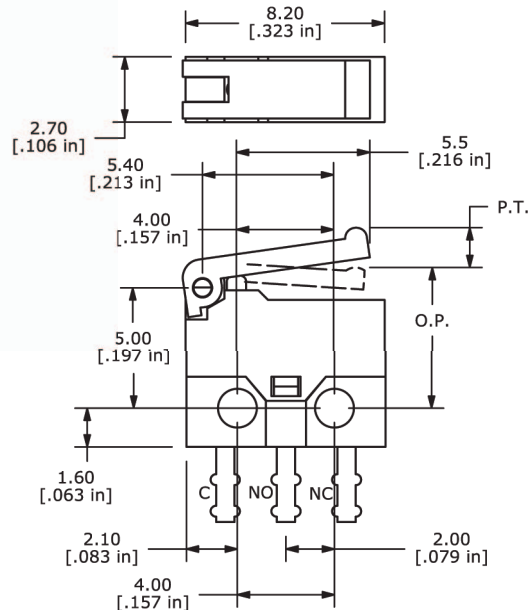
### HOW TO ORDER



### Example Ordering Number

TS-01-01-F020-V1

Specifications subject to change without notice.





# SERIES TS SWITCHES

## SNAP ACTION SWITCHES - SUB-MINIATURE

TACT SWITCHES

NAVIGATION SWITCHES

PUSHBUTTON SWITCHES

TOGGLE SWITCHES

ROCKER SWITCHES

SLIDE SWITCHES

SNAP-ACTION SWITCHES

DIP SWITCHES

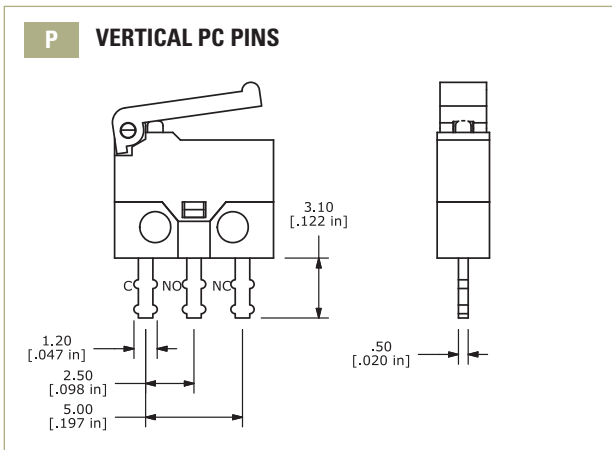
KEYLOCK SWITCHES

ROTARY SWITCHES

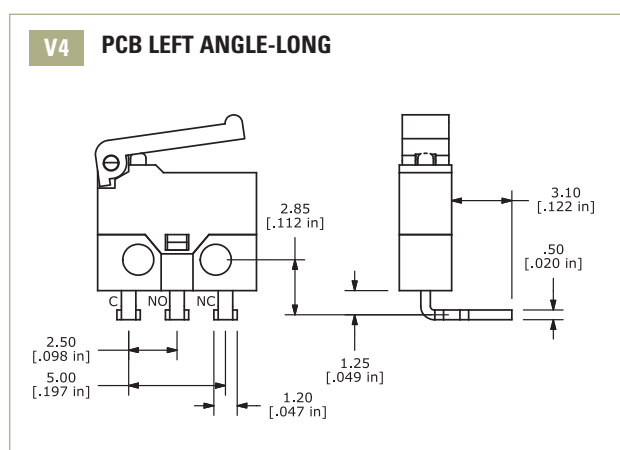
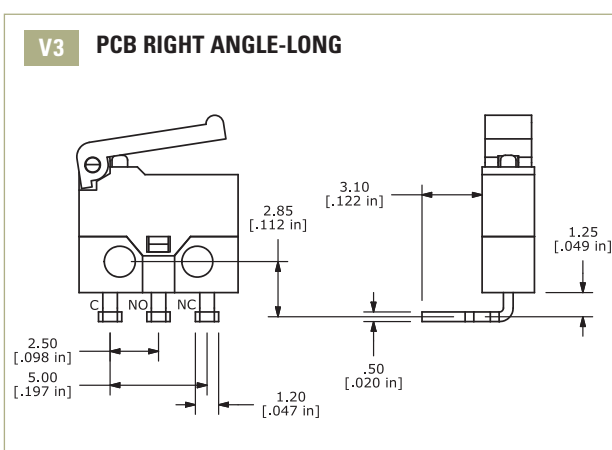
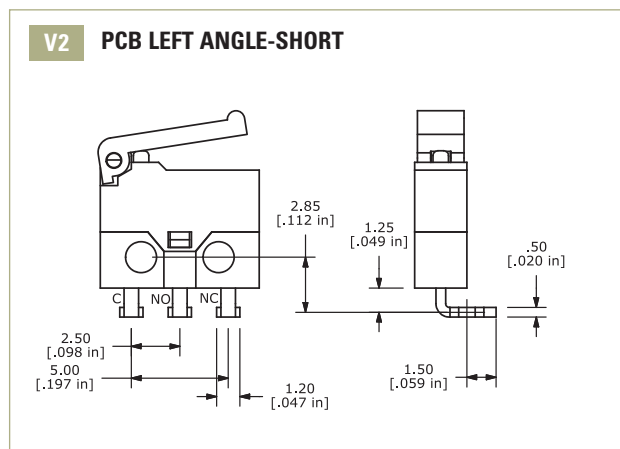
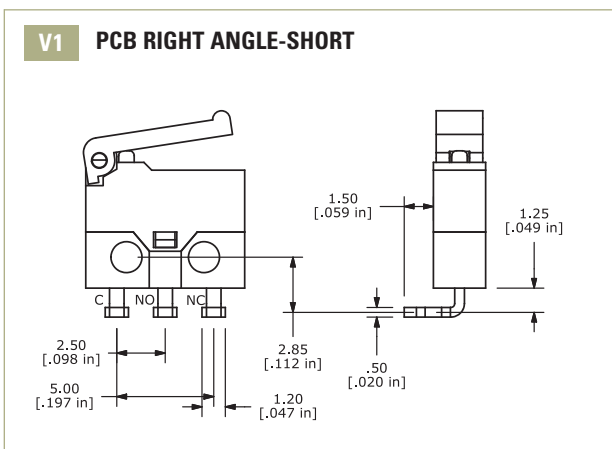
DETECTOR SWITCHES

CAP OPTIONS

### TERMINATION OPTIONS



ACTUATOR BUTTON	
Actuator	Operating Point
Type 1	6.7 ± 0.5



## Looking for pricing, stock, or lifecycle information?

Click below to explore more details on WIN SOURCE:

 [View TS0101F020V4 on WIN SOURCE](#)

 [E-SWITCH](#) Information

## Optimize Your Supply Chain with WIN SOURCE Solutions

-  Global Sourcing Solution
-  Obsolete Management
-  Cost Control Management
-  Shortage Management
-  Alternative Solution
-  Excess Inventory Management