



THE DATASHEET OF
979-015-030R121

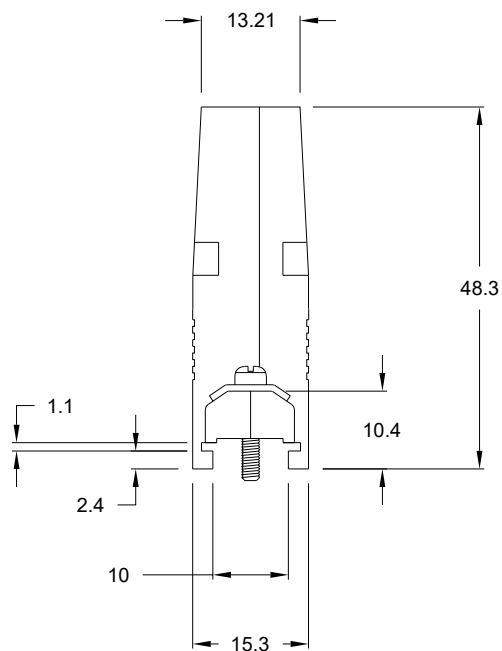
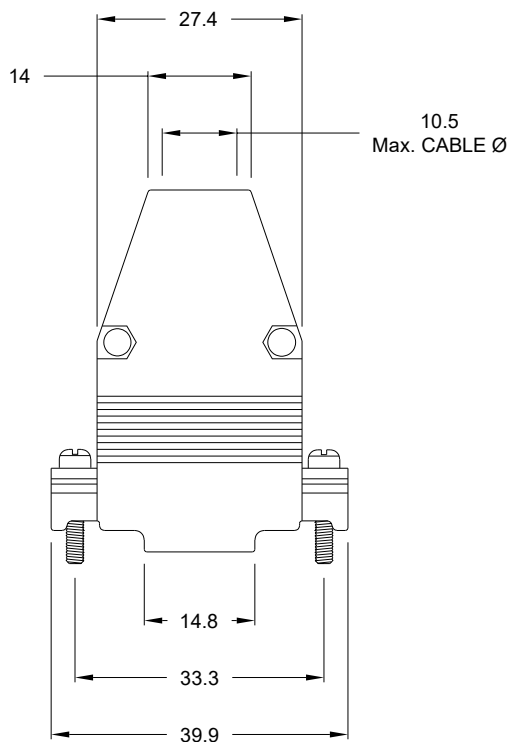


ALL TOLERANCES = ±0.3
UNLESS OTHERWISE INDICATED

DESIGNED TO ACCOMMODATE STANDARD:
D-SUB - Shell Size 2

BACKSHELL KIT INCLUDES:

- 2 - BACKSHELL HALVES
- 2 - MATING SCREWS (#4-40, RECOMMENDED TORQUE 60 in-oz)
- 2 - SADDLE WASHERS
- 2 - HOUSING SCREWS (#4-40, RECOMMENDED TORQUE 5.2 in-lbs)
- 2 - HOUSING NUTS (#4-40, RECOMMENDED TORQUE 5.2 in-lbs)
- 1 - GROMMET TREE - VARIOUS SIZES (NON-CONDUCTIVE GROMMETS)



MATERIAL: DIE-CAST ZINC ALLOY
PLATING: NICKEL (5u" MIN PLATING THICKNESS)
OPERATING TEMPERATURE: -45°C TO +120°C

979-015-030R121

- SERIES _____
- POSITIONS _____
- 015 _____
- MATERIAL _____
- 030 = ZINC _____
- RoHS COMPLIANT _____
- R = HIGH TEMP. PROCESS _____
- PLATING _____
- 12 = NICKEL _____
- PUT-UPS _____
- 1 = KIT _____

RoHS COMPLIANT

UNITS = mm

DO NOT SCALE FROM DRAWING



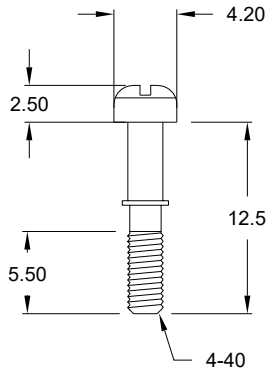
THESE DRAWINGS AND SPECIFICATIONS ARE THE PROPERTY OF NorComp AND SHALL NOT BE REPRODUCED, COPIED OR USED AS THE BASIS FOR THE MANUFACTURE OR SALE OF APPARATUS WITHOUT WRITTEN PERMISSION.

DRAWN:
C. SMITH
DATE:
4/20/2010

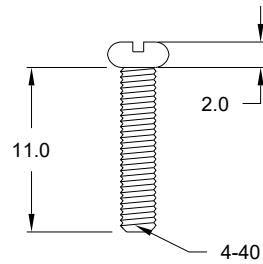
NorComp

SCALE: NTS	SHEET 1	OF 2	REV 8
---------------	------------	---------	----------

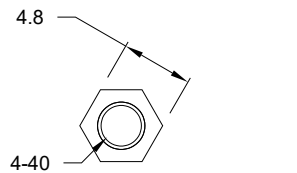
DWG NO. **979-015-030R121**



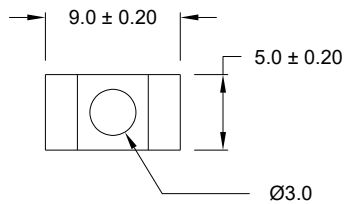
MATING SCREW



HOUSING SCREW



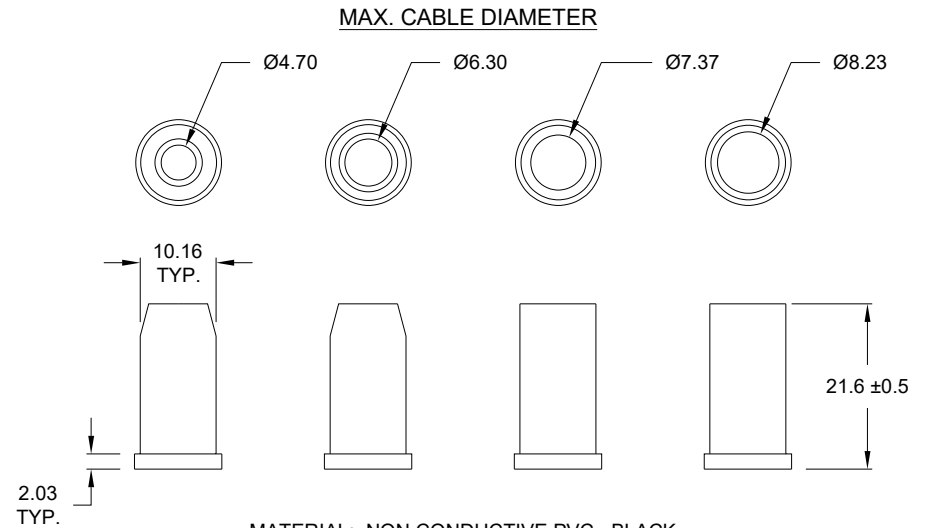
HOUSING NUT



SADDLE WASHER

ALL HARDWARE:

MATERIAL = STEEL
PLATING = NICKEL



MATERIAL: NON CONDUCTIVE PVC - BLACK
P/N: 162-000-925R000

RoHS COMPLIANT



THESE DRAWINGS AND SPECIFICATIONS ARE THE PROPERTY OF NorComp AND SHALL NOT BE REPRODUCED, COPIED OR USED AS THE BASIS FOR THE MANUFACTURE OR SALE OF APPARATUS WITHOUT WRITTEN PERMISSION.

DRAWN:
C. SMITH

DATE:
4/20/2010

UNITS = mm

DO NOT SCALE FROM DRAWING

NorComp

SCALE:
NTS

SHEET 2 OF 2

REV 8

DWG NO.

979-015-030R121

Looking for pricing, stock, or lifecycle information?

Click below to explore more details on WIN SOURCE:

 [View 979-015-030R121 on WIN SOURCE](#)

 [NorComp Inc. Information](#)

Optimize Your Supply Chain with WIN SOURCE Solutions

-  Global Sourcing Solution
-  Obsolete Management
-  Cost Control Management
-  Shortage Management
-  Alternative Solution
-  Excess Inventory Management