

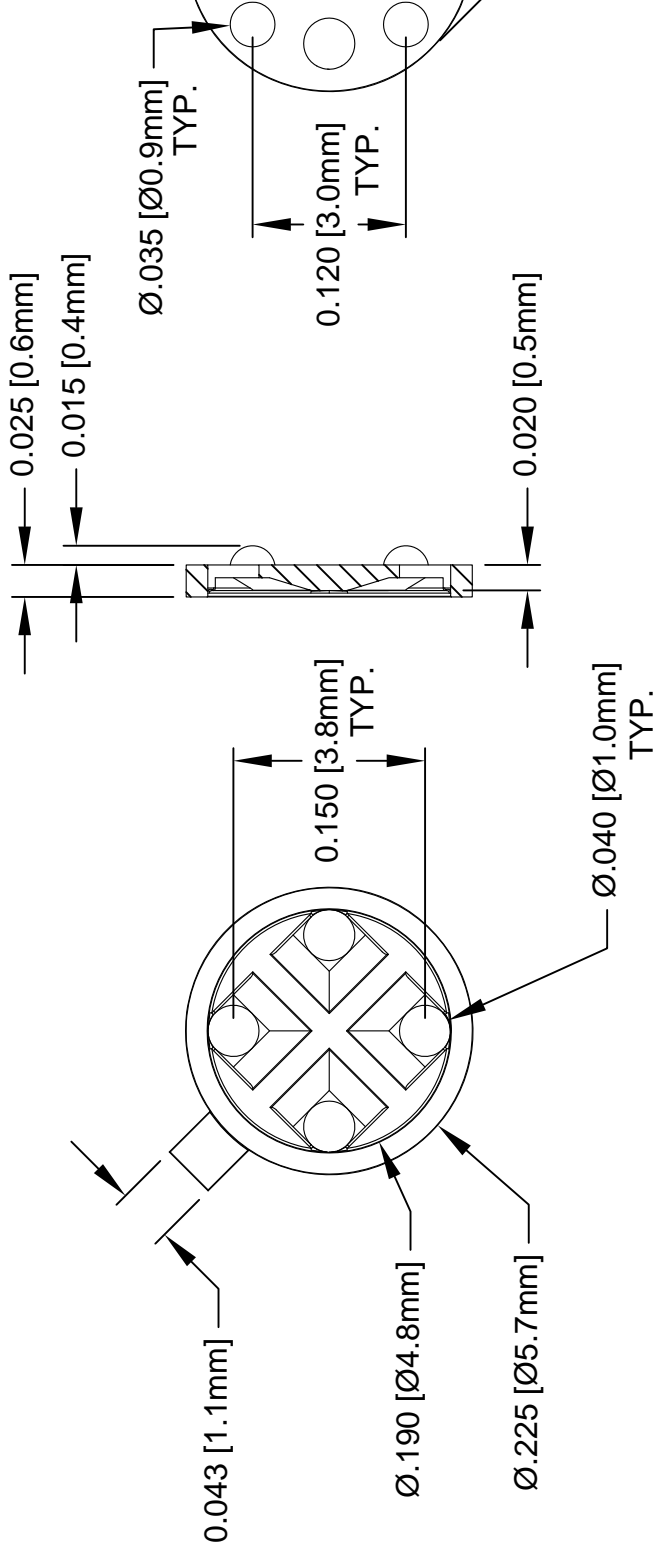


THE DATASHEET OF
211-040



REV.

A	Engineering Update
B	Model Update
C	Removed Material



STANDARD TOLERANCES
(UNLESS OTHERWISE SPECIFIED)

DECIMALS	ANGLES
.X ±.1	X°
.XX ±.01	
.XXX ±.005	




DESIGNED:	DATE:
S. Irving	06/3
CHECKED:	DATE:
D. Green	02/1

- 2. MATERIAL: NYLON 6/6, 94V-2, NATURAL.
- 1. GENERAL SPECIFICATIONS: BIVAR MOLDED COMPONENT SPECIFICATION BV00-E101.

Looking for pricing, stock, or lifecycle information?

Click below to explore more details on WIN SOURCE:

 [View 211-040 on WIN SOURCE](#)

 [Bivar Inc. Information](#)

Optimize Your Supply Chain with WIN SOURCE Solutions

-  Global Sourcing Solution
-  Obsolete Management
-  Cost Control Management
-  Shortage Management
-  Alternative Solution
-  Excess Inventory Management