



**THE DATASHEET OF
03GENG3E**





GE SERIES

SNAP-IN MOUNTING HIGH PERFORMANCE IEC CONNECTOR FILTERS



INTRODUCTIONS

1. Snap-in mounting type to reduce labor cost. Compact and reliable at low cost.
2. Bleeder resistor can be added with suffix "-R" on part numbers, except G3H,G3V,W3V,G3J,W3J,types.
3. Optional side snap-in mounting clip type with suffix (H) on part numbers.
4. All part numbers are UL recognized, CSA certified and VDE approved.
5. With optional Y-Cap from 100pF to 3300pF.

COMPONENTS

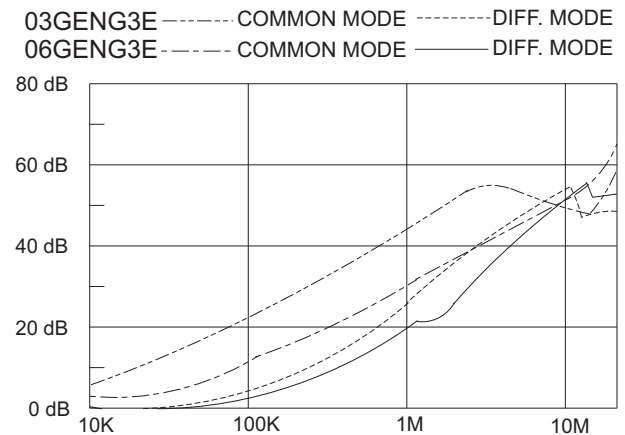
| PART NO. | Cx (uF) | L (mH) | Cy (pF) | R (Ω) |
|--------------------|---------|--------|---------|-------|
| 01GENG3E/W3E/-R | 0.1 | 6.5 | 2200 | 1M |
| 03GENG3E/W3E/-R | | 2.5 | | |
| 03GENG3U/-R | | 2.5 | | |
| •03GENW3ES/-R | | 2.5 | | |
| •03GENG3Q/W3Q/-R | | 4 | | |
| 06GENG3E/W3E/-R | | 0.8 | | |
| 06GENG3U/-R | | 0.8 | | |
| ••06GENG3Q/W3Q/-R | | 1.5 | | |
| 06GENW3ES/-R | | 0.8 | | |
| 10GENG3E/W3E/-R | | 0.2 | | |
| •••10GENG3C/W3C/-R | | 0.4 | | |
| *10GENG3Q/W3Q/-R | | 0.3 | | |
| 10GENG3U/-R | | 0.3 | | |
| 10GENW3ES/-R | | 0.2 | | |
| **15GENG3E/W3E/-R | | 0.2 | | |
| ***20GENG3E/W3E/-R | | 0.3 | | |

- UL, CSA approved to 4A 115/250V
- UL, CSA approved to 8A 115/250V
- VDE approved to 8A/250V
- * UL, CSA approved to 13A 115/250V
- ** VDE approved to 10A/250V
- *** VDE approved to 16A/250V

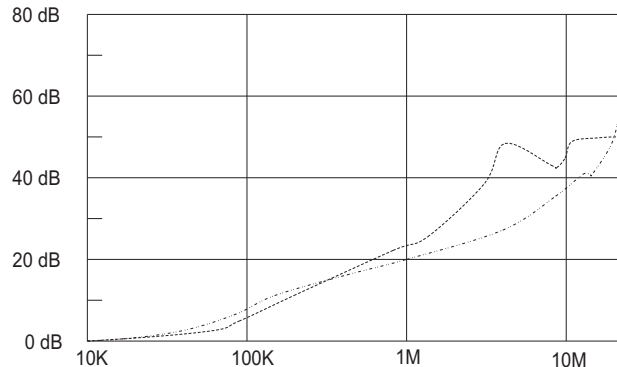
SPECIFICATIONS

1. Maximum leakage current each line-to-ground @ 115VAC 60Hz: 0.2mA @ 250VAC 50Hz: 0.4mA
2. Hipot rating (one minute) line-to-ground: 2250VDC line-to-line: 1450VDC
3. Operating frequency: 50/60Hz
4. Rated voltage: 115/250VAC

INSERTION LOSS (TYPICAL)



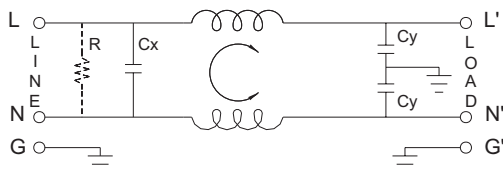
20GENG3E ----- COMMON MODE ----- DIFF. MODE



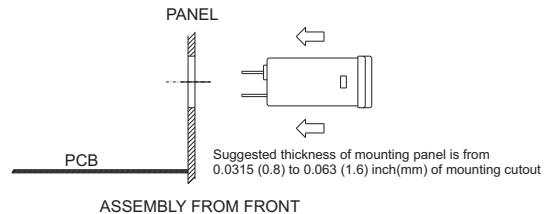
MINIMUM INSERTION LOSS IN dB

| COMMON MODE (L-G) IN 50 OHM SYSTEM | | | | | | |
|------------------------------------|---------------|-----|-----|-----|----|----|
| CURRENT RATING | FREQUENCY-MHz | | | | | |
| | .15 | .50 | 1.0 | 5.0 | 10 | 30 |
| 1A | 28 | 35 | 38 | 38 | 40 | 40 |
| 3A | 20 | 25 | 30 | 38 | 40 | 40 |
| 6A | 12 | 18 | 24 | 35 | 40 | 40 |
| 6A (G3Q) | 15 | 20 | 24 | 35 | 40 | 55 |
| 10A | 4 | 10 | 13 | 28 | 35 | 40 |
| 10A (G3C) | 10 | 15 | 15 | 25 | 30 | 35 |
| 10A (G3Q) | 10 | 12 | 15 | 30 | 32 | 45 |
| 15A | 4 | 10 | 13 | 28 | 35 | 40 |
| 20A | 8 | 10 | 15 | 25 | 30 | 35 |

ELECTRICAL SCHEMATIC



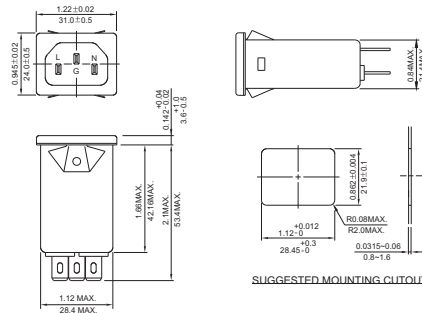
R: 1MΩ/-R ONLY



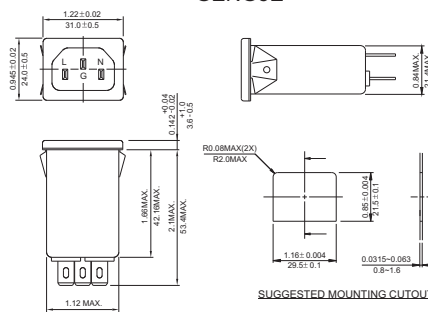
MECHANICAL CONSTRUCTION



NG3E, NG3C, NG3Q (Optional wire type)



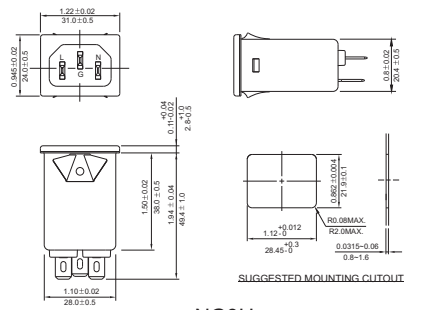
NG3E(H), NG3C(H), NG3Q(H) (Optional wire type)



GENG3E

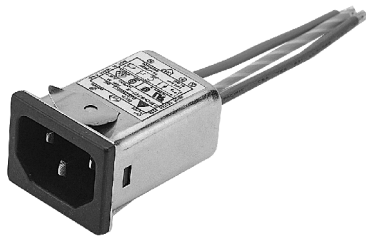


NG3U (With Compact Size)

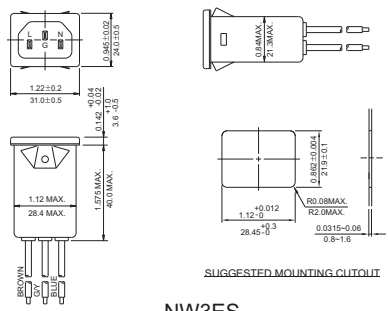


GENG3E(H)

NG3U



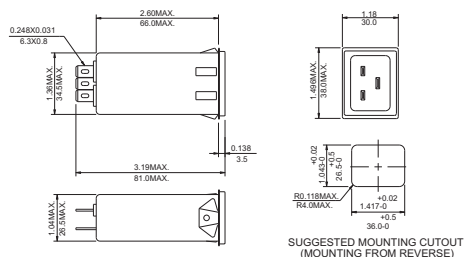
NW3ES



NW3ES



20GENG3E (Optional wire type)



WIRE LENGTH : 4.0" MIN.

UNIT: INCH
mm

Looking for pricing, stock, or lifecycle information?

Click below to explore more details on WIN SOURCE:

[View 03GENG3E on WIN SOURCE](#)

[Delta Electronics Information](#)

Optimize Your Supply Chain with WIN SOURCE Solutions

- ✓ Global Sourcing Solution
- ✓ Obsolete Management
- ✓ Cost Control Management
- ✓ Shortage Management
- ✓ Alternative Solution
- ✓ Excess Inventory Management