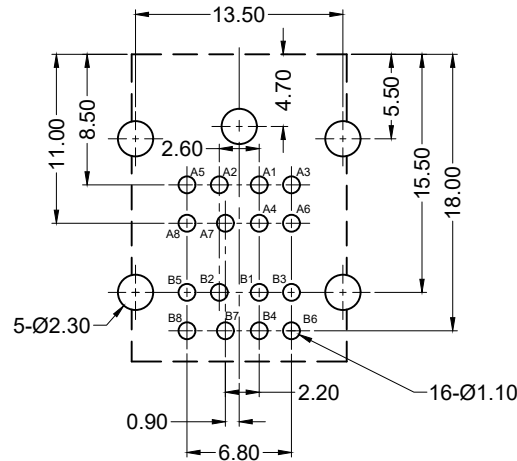
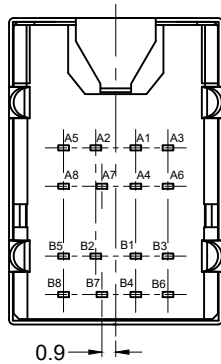
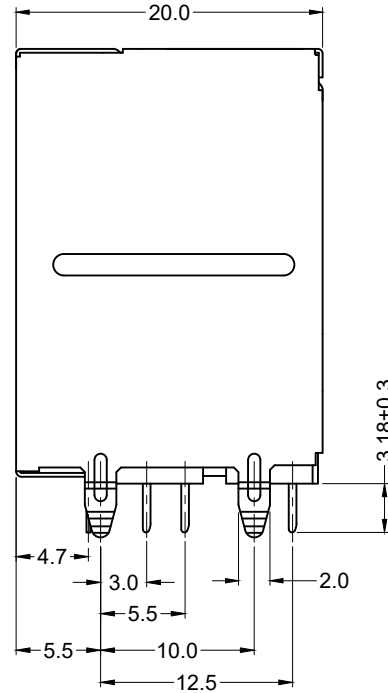
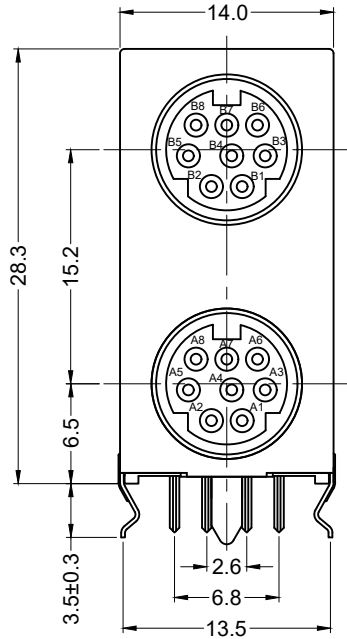




**THE DATASHEET OF
KMDGX-8S/8S-S4N**





Recommended PCB Layout
(Bottom View)

Material and Finish

Body: PBT Thermoplastic, Black
 Contacts: Copper Alloy
 Gold Flash on Contacts,
 Tin on Termination
 Shield: SPCC, Tin Plated

Electrical Characteristics

Contact Resistance:
 Before Test:
 Plug to Terminals: 30 Milliohms Max.
 After Test:
 Plug to Terminals: 60 Milliohms Max.
 Insulation Resistance:
 500 Megohms Min.
 Dielectric Withstanding Voltage:
 500V AC RMS For 1 Minute
 Current Rating:
 2 A at 12V DC

Mechanical Characteristics

Durability Test: 500 Cycles Min.
 Insertion Force: 0.4kg - 3.5kg
 Extraction Force: 0.5kg - 4.5kg
 Operating Temperature: -25°C to +80°C

Tolerances
X.X ± 0.3
X.XX ± 0.15
Unless Stated
Otherwise



REV.	DATE	DESCRIPTION	REV. BY	CHK. BY	DRAWN BY	DATE
B4	06/30/11	ECO #11-020	S. Vien	H. MA	H. MA	7/26/04
B5	01/15/13	ECO #12-063	S. Vien	P. DalCanto		
B6	02/19/15	ECO #15-017	H. MA	C. Furumasu		
B7	05/28/15	ECO #14-021	C. Kelleher	H. Ma	UNITS	mm
B8	04/25/19	ECO #19-040	G. Serrato	D. Shehan		
B9	04/09/25	ECO #25-031	K.Wang	C.Kelleher		

KMDGX-8S/8S-S4N

Stacked Mini-Din, 8/8, RoHS Compliant

Fully Shielded, Gold Contacts



Looking for pricing, stock, or lifecycle information?

Click below to explore more details on WIN SOURCE:

 [View KMDGX-8S/8S-S4N on WIN SOURCE](#)

 [Kycon, Inc. Information](#)

Optimize Your Supply Chain with WIN SOURCE Solutions

-  Global Sourcing Solution
-  Obsolete Management
-  Cost Control Management
-  Shortage Management
-  Alternative Solution
-  Excess Inventory Management