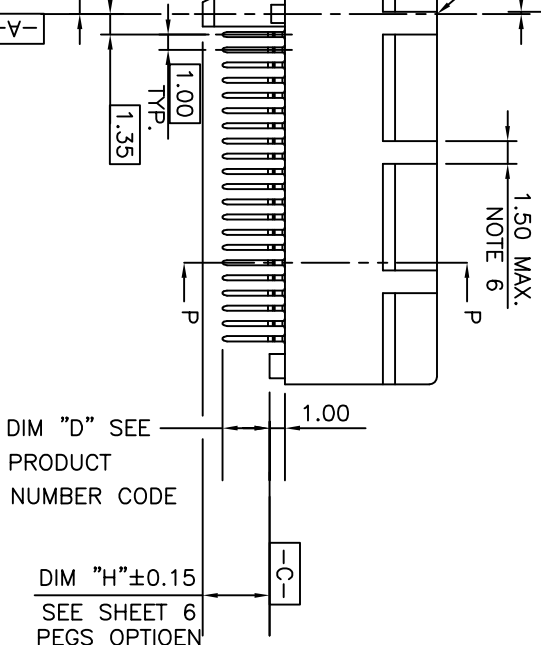
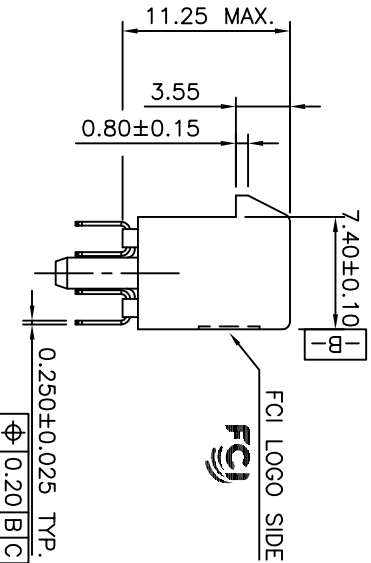
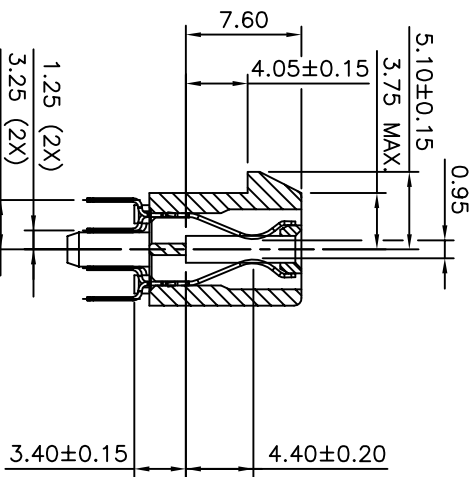
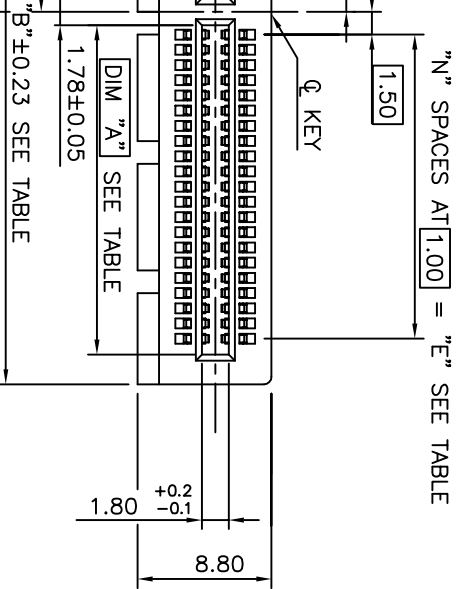


DIM "D" SEE TABLE
 PRODUCT NUMBER CODE
 DIM "H"±0.15
 SEE SHEET 6 PEGS OPTION

TWIN PLASTIC PEG TYPE

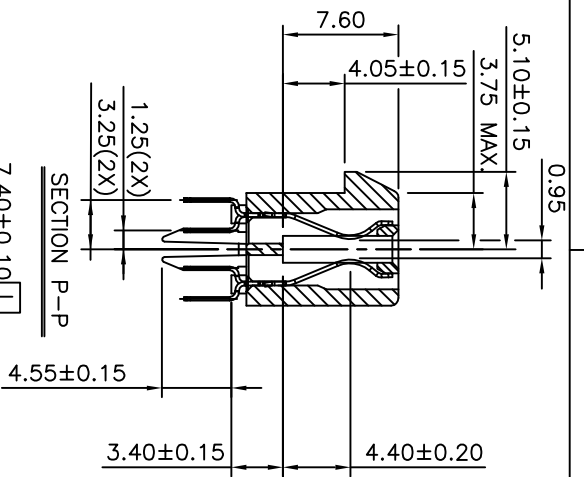
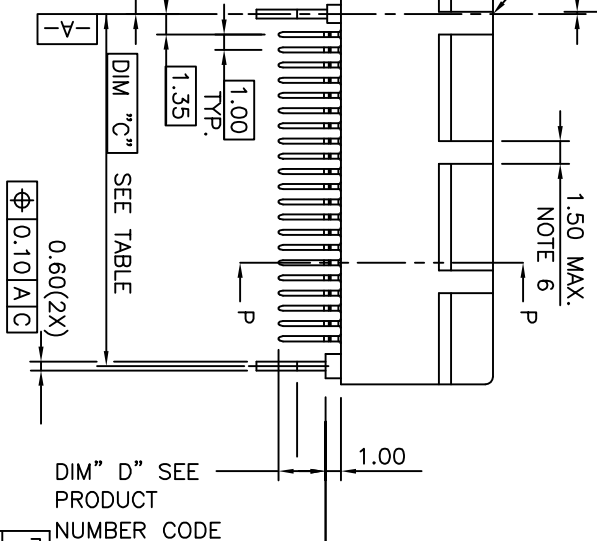
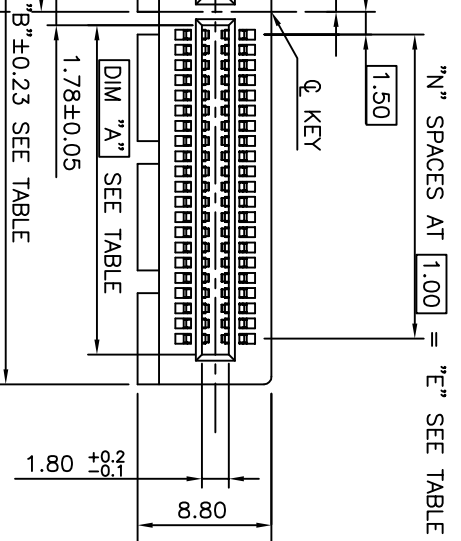
ltr	ec'n no	dr	date	surface	tolerance	projection	product family
T	105-0208	M-W	09/15/05	tolerances unless otherwise specified	ASME Y14.5		PCI_EXPRESS
U	110-0007	J-H	1/20/10	angles	±0.30	MM	PCI_EXPRESS_GEN3
V	EX-06-1831	S-T	07/16/14	±Z	±0.20		CARD_EDGE_ASSY
W	EX-06-2007	S-T	01/23/15	dr		scale N/A	
X	EX-06-2498	LZH	07/28/16	enqr	±0.10		
Y	EX-06-2692	LZH	02/14/17	chr			
Z	EX-06-2827	WZ	09/09/20	ppd			
				HEWEN	CEN	09/09/20	
sheet	revision	Z					
index	sheet						

Ø2.05±0.05
 Ø0.10 | A | B | C



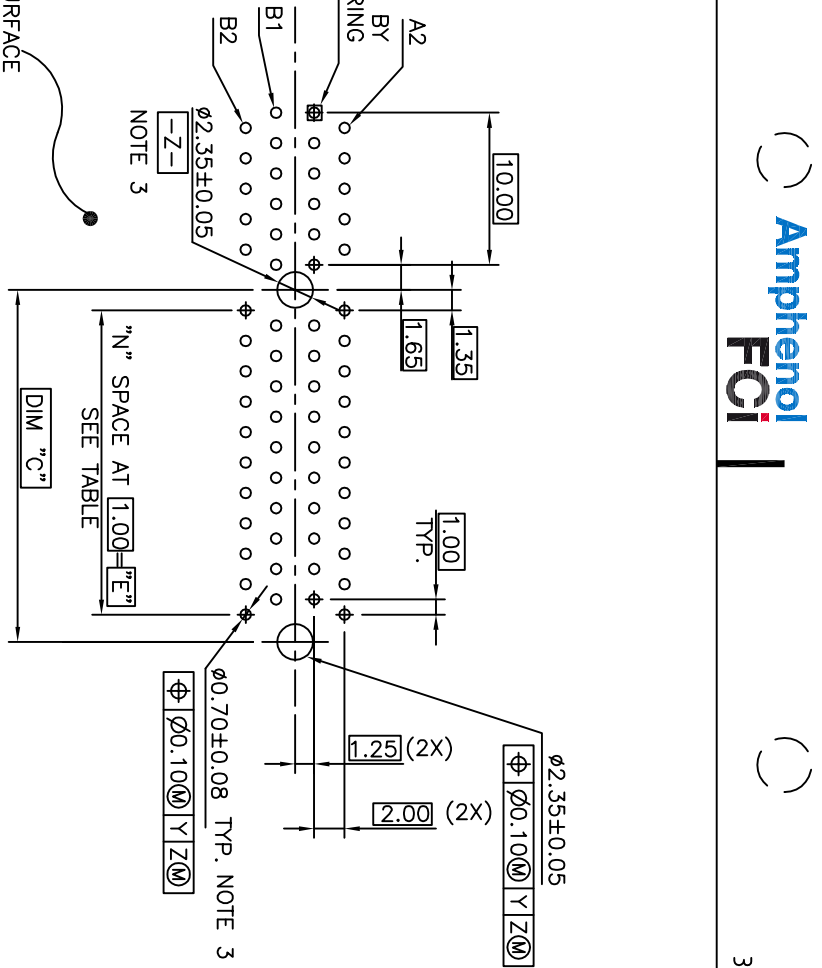
SINGLE PLASTIC PEG TYPE

mat'l. code		surface		tolerance		projection		product family	
-		ASME Y14.5		0.2±0.30		MM		PCI_EXPRESS	
ltr	ecm no	dr	date	tolerances unless otherwise specified	angles	scale	title	PCI_EXPRESS_GEN3	
				±Z	±Z	N/A	PC1_EDGE_ASSY	CARD_EDGE_ASSY	
sheet	revision	Z		dr	engr	ch	appd	dwg no	sheet 2 of 7
index	sheet			WINSTON ZHU	ZHNERUA UU	HEWEN CEN		10018783	A4
				09/09/20	09/09/20	09/09/20			CUSTOMER Drawing



METAL BOARD LOCKS TYPE

mat'l. code		surface		tolerance		projection		product family	
-		-		ASME Y14.5		MM		PCI_EXPRESS	
ltr	ecm no	dr	date	angles	±Z	±Z	scale	title	product family
				5	.00±0.20	.00±0.10	N/A	PCI_EXPRESS_GEN3	PCI_EXPRESS
tolerances unless otherwise specified								title	
								CARD_EDGE_ASSY	
								sheet 3 of 7	
								size	
								A4	
								CUSTOMER Drawing	
								10018783	
								sheet 3 of 7	
								A4	
								CUSTOMER Drawing	
								10018783	
								sheet 3 of 7	
								A4	
								CUSTOMER Drawing	
								10018783	
								sheet 3 of 7	
								A4	
								CUSTOMER Drawing	



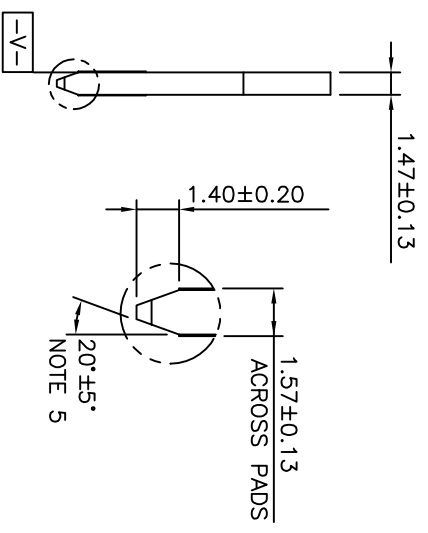
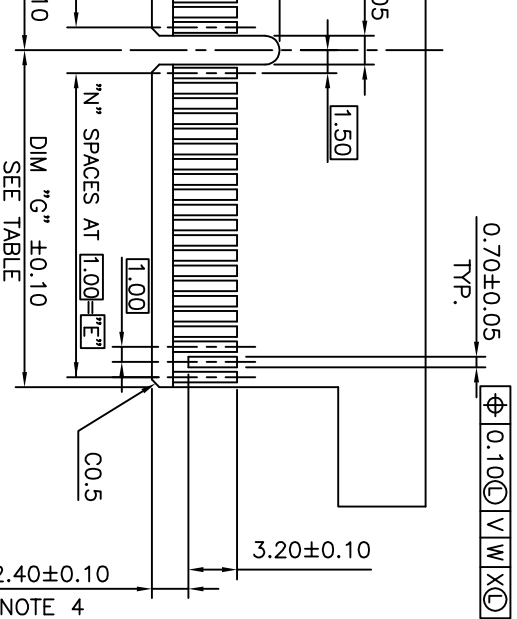
→ I/O PANEL DIRECTION

RECOMMENDED FOOTPRINT

mat'l. code		surface		tolerance		projection		product family	
_		_		ASME Y14.5		MM		PCI_EXPRESS	
ltr	ecm no	dr	date	tolerances unless otherwise specified		angles		title	
				±.2°		.02-.030		PCI_EXPRESS_GEN3	
				±.2°		.005-.010		CARD_EDGE_ASSY	
				dr		MINSTON ZHU		sheet 4 of 7	
				engr		ZHENHUA LIU		size	
				ch		09/09/20		A4	
				appd		HEWEN CEN		CUSTOMER Drawing	
				09/09/20					
sheet	revision	Z							
index	sheet								

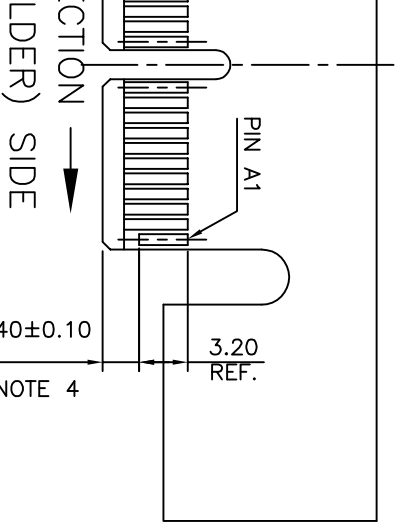
3

4



SCALE 2:1

CL DIRECTION
(COMPONENT) SIDE



DIM "G"	"F"
8.15	B17
22.15	B31
39.15	B48
72.15	B81

PIN "F" SEE TABLE 2.40±0.10

NOTE 4

PIN "F" SEE TABLE 2.40±0.10
NOTE 4

ADD-IN CARD EDGE-FINGER DIMENSIONS

mat'l. code		surface		tolerance	projection	product family	
ltr	ecrn no	dr	date	tolerances unless otherwise specified	ASME Y14.5	PC	PC EXPRESS
				angles	0.2±0.30	MM	PCI_EXPRESS_GEN3
				±Z	.003±0.20	MM	CARD_EDGE_ASSY
		dr	WINSTON ZHU	09/09/20	09/09/20	scale N/A	
		engr	WINSTON ZHU	09/09/20	09/09/20		
		ch					
		appd	HEWEN CEN	09/09/20			
sheet	revision	Z					
index	sheet						
title		dwg no		sheet 5 of 7		size	
PCI_EXPRESS_GEN3		10018783		CUSTOMER Drawing		A4	

5

B

A

2

PSS: Rel:AA

STATUS:Released

Printed: Nov 27, 2020

3

4



CONNECTOR	# POS REF.	N	DIM "A"	DIM "B"	DIM "C"	"E"
1 PORT	36	6	7.65	25.00	9.15	6.00
4 PORT	64	20	21.65	39.00	23.15	20.00
8 PORT	98	37	38.65	56.00	40.15	37.00
16 PORT	164	70	71.65	89.00	73.15	70.00

ED UL94V-0 RATED.

ESTABLISHED BY
 5 HOLES.
 AXIS, THROUGH THE CENTER
 RIDGING EDGE OF PAD FOR PINS A1 AND PIN NUMBERS "F".
 ERRS.
 1. RIDGE MAY BE CONTINUOUS WITH NO BREAKS.

TO 260°C PEAK TEMPERATURE FOR 10 SECONDS IN WAVE-SOLDERING APPLICATION,
 WILL BE APPLIED, THE PRODUCT(PART BASE NUMBER 10108777) IS RECOMMENDED.

CODE

LEAD FREE OPTION
 " FOR TERMINAL PLATING OPTION 0,1,2

POS. OPTIONS
 0-36
 1-64
 2-98
 3-164

PACKAGING OPTIONS
 E-HARD TRAY PACKAGING ANTI-STATIC SHIELDING BAG (FOR 164P ONLY)
 T-SOFT TRAY PACKAGING
 G-SOFT TRAY PACKAGING WITH DUMMY CARD
 M-SOFT TRAY PACKAGING & MYLAR TAPE.
 C-SOFT TRAY PACKAGING(323X136X23) WITH 10MM CAP (FOR 98P ONLY)
 Y-HARD TRAY PACKAGING (FOR 36, 98, 164P ONLY)
 Z-HARD TRAY PACKAGING WITH MYLAR (FOR 36, 98, 164P ONLY)
 D-HARD TRAY PACKAGING(323X118X18.7) (FOR 36, 164P ONLY)
 R-TAPE & REEL PACKAGING (FOR 36, 64, 98P)
 A-TAPE & REEL PACKAGING WITH MYLAR (FOR 36, 64, 98P)

TAIL LENGTH OPTIONS

DIM "D"	PCB THICKNESS	BOARD LOCKS DIM "G"
2.30 +0.25 -0.13	1.56±0.10	1.70±0.15
3.10 +0.25 -0.13	2.36±0.10	2.50±0.15
2.54±0.25	1.56±0.10	1.70±0.15
1.90±0.25	1.56±0.10	1.70±0.15

mat'l. code		surface		tolerance	projection	product family	
ltr	ecm no	dr	date	tolerances unless otherwise specified	ASME Y14.5	title	family
				±.02	0.30	PCI_EXPRESS_GEN3	PCI_EXPRESS
				±.005	0.20	CARD_EDGE_ASSY	
				±.000	0.10		
		dr	WINSTON ZHU	09/09/20			
		enqr	ZHENHUA LIU	09/09/20			
		chn					
		qppd	HEAEN CEN	09/09/20			
sheet	revision	Z					
index	sheet						

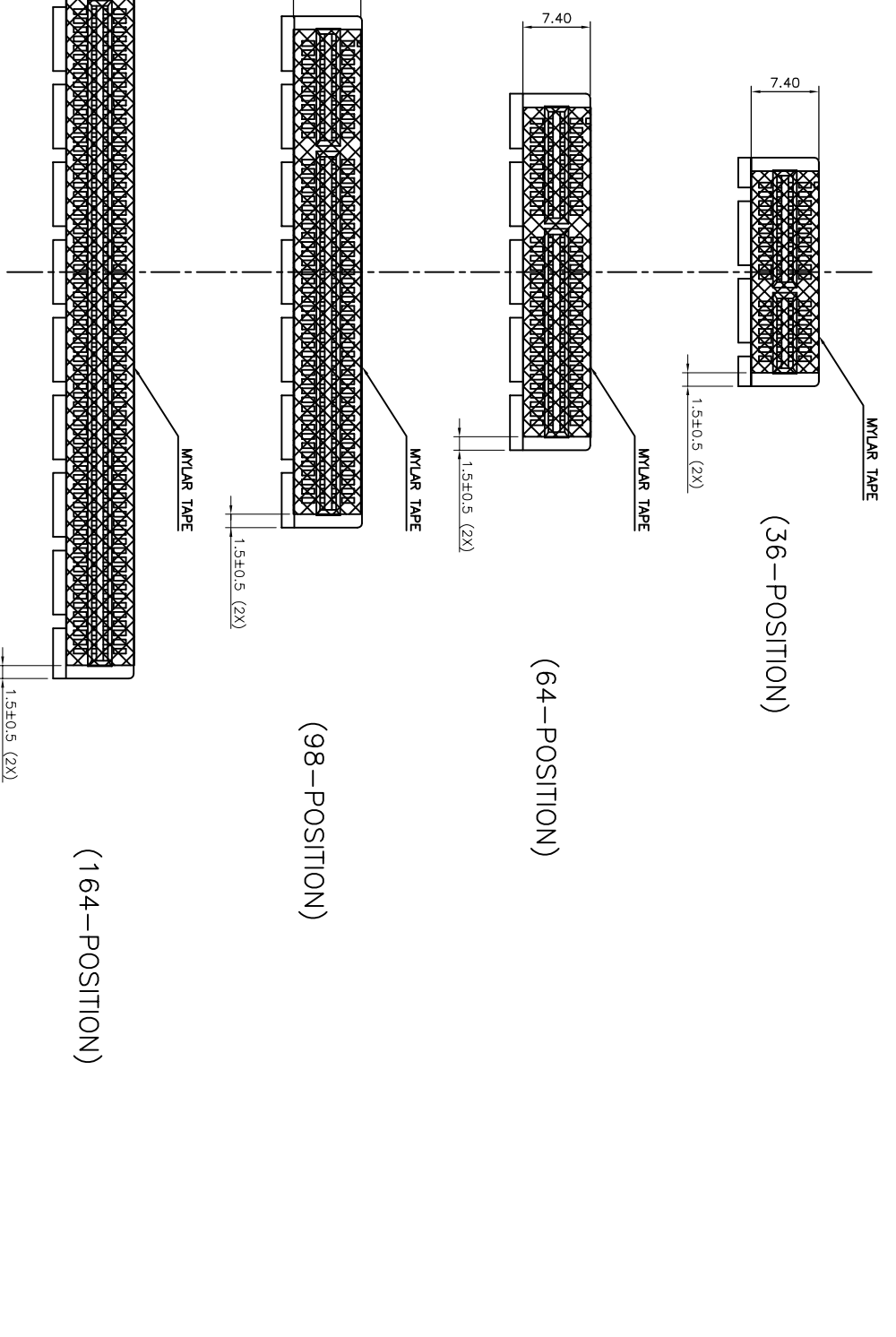


FIGURE 1

mat'l. code		surface		tolerance		projection		product family	
ltr	ecrn no	dr	date	tolerances unless otherwise specified		ASME Y14.5		PCI_EXPRESS	
				angles	±0.30		MM	PCI_EXPRESS_GEN3	
				±2°	.00±0.20		N/A	CARD_EDGE_ASSY	
					.000±0.10			sheet 7 of 7	
		dr	MINSTON ZHU	09/09/20				size	
		engr	ZHENHUA LIU	09/09/20				A4	
		ch						CUSTOMER Drawing	
		appd	HEWEN CEN	09/09/20					
sheet	revision	Z							
index	sheet								

Looking for pricing, stock, or lifecycle information?

Click below to explore more details on WIN SOURCE:

 [View 10018783-10211TLF on WIN SOURCE](#)

 [Amphenol Information](#)

Optimize Your Supply Chain with WIN SOURCE Solutions

-  Global Sourcing Solution
-  Obsolete Management
-  Cost Control Management
-  Shortage Management
-  Alternative Solution
-  Excess Inventory Management