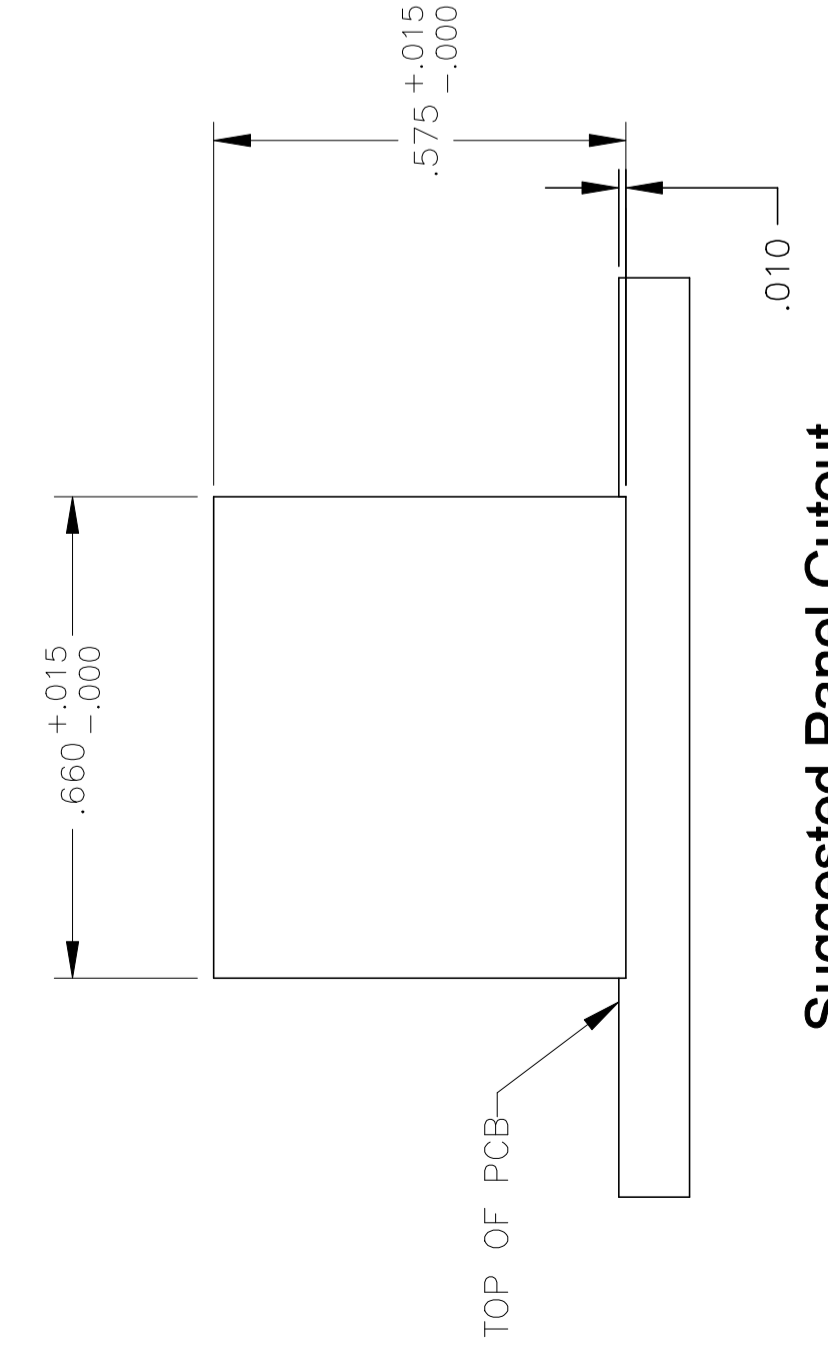
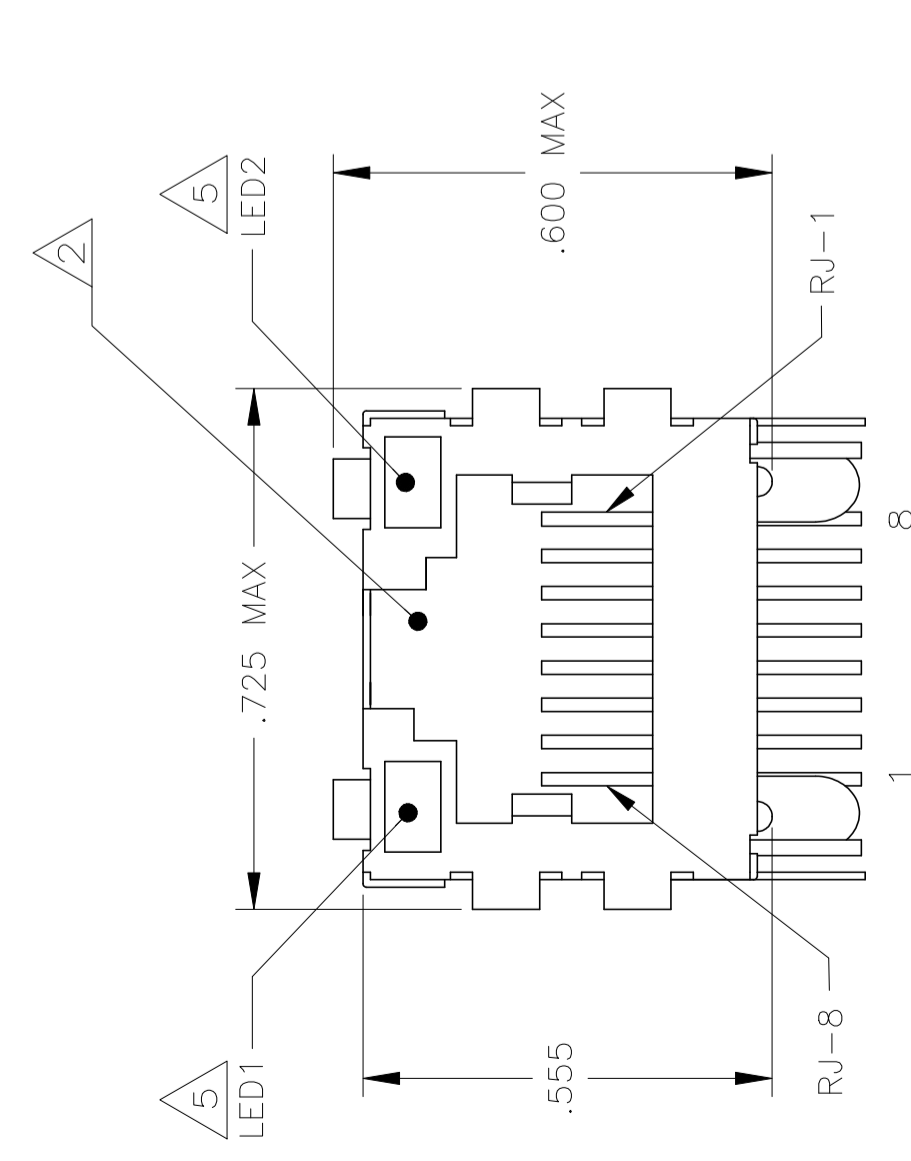
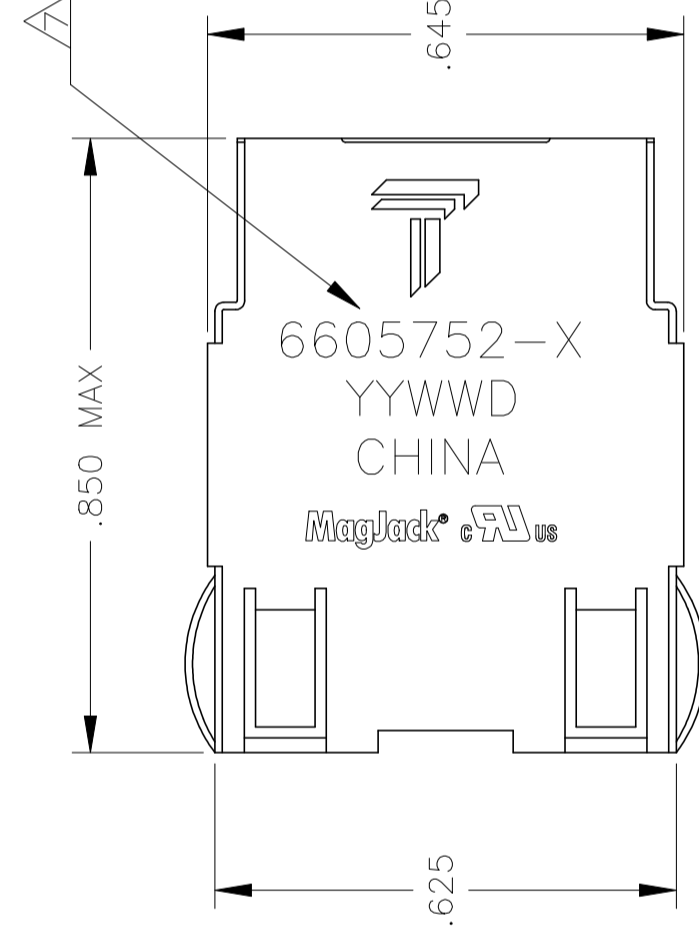
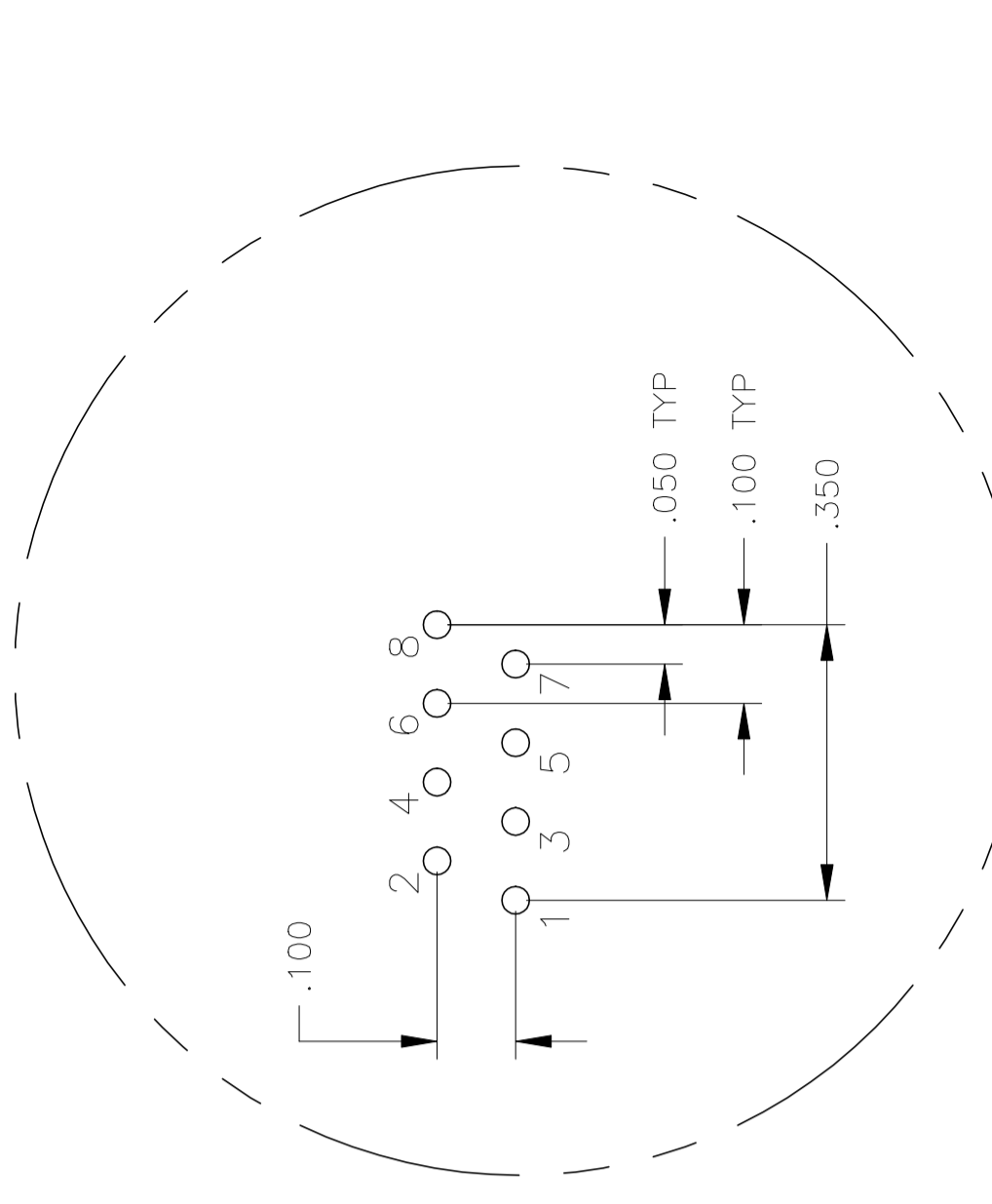


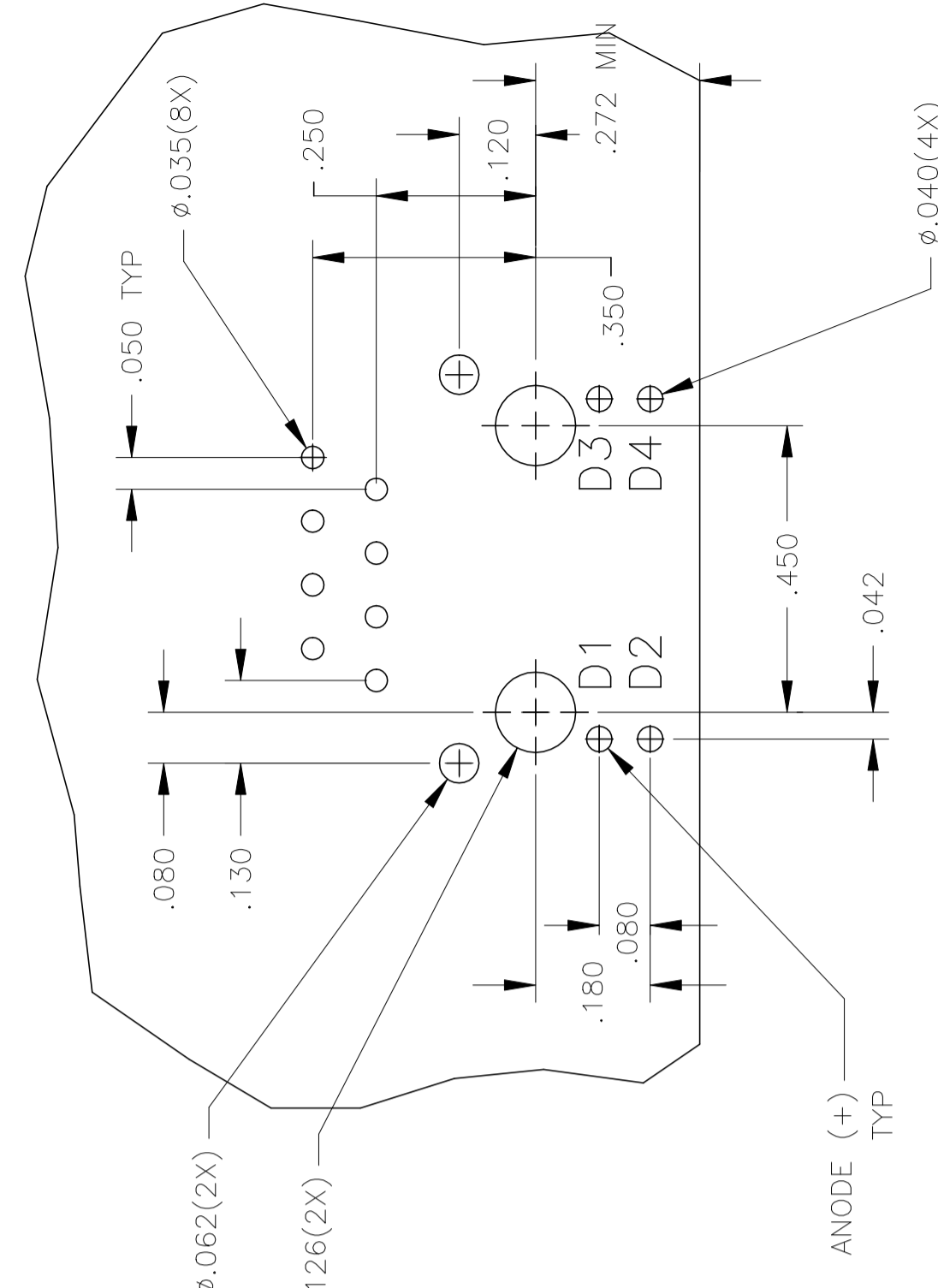
MECHANICAL:



Suggested Panel Cutout

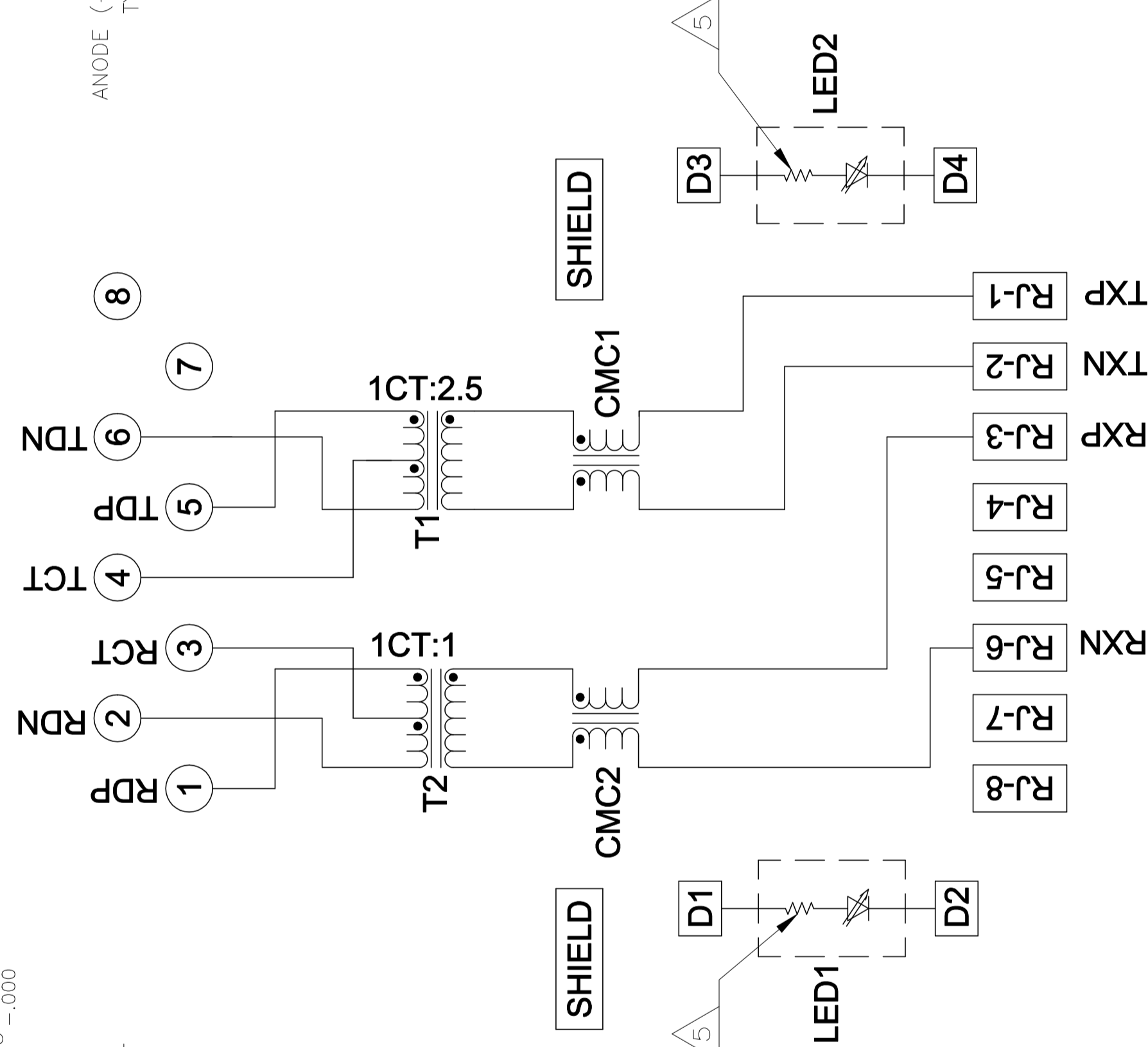


Pin Designations



Suggested PCB Layout
(Component Side)

724 SERIES MAGNETIC CIRCUIT



Looking for pricing, stock, or lifecycle information?

Click below to explore more details on WIN SOURCE:

 [View 6605752-1 on WIN SOURCE](#)

 [Bel Fuse Inc. Information](#)

Optimize Your Supply Chain with WIN SOURCE Solutions

-  Global Sourcing Solution
-  Obsolete Management
-  Cost Control Management
-  Shortage Management
-  Alternative Solution
-  Excess Inventory Management