




**THE DATASHEET OF
BK/1A4287-1**

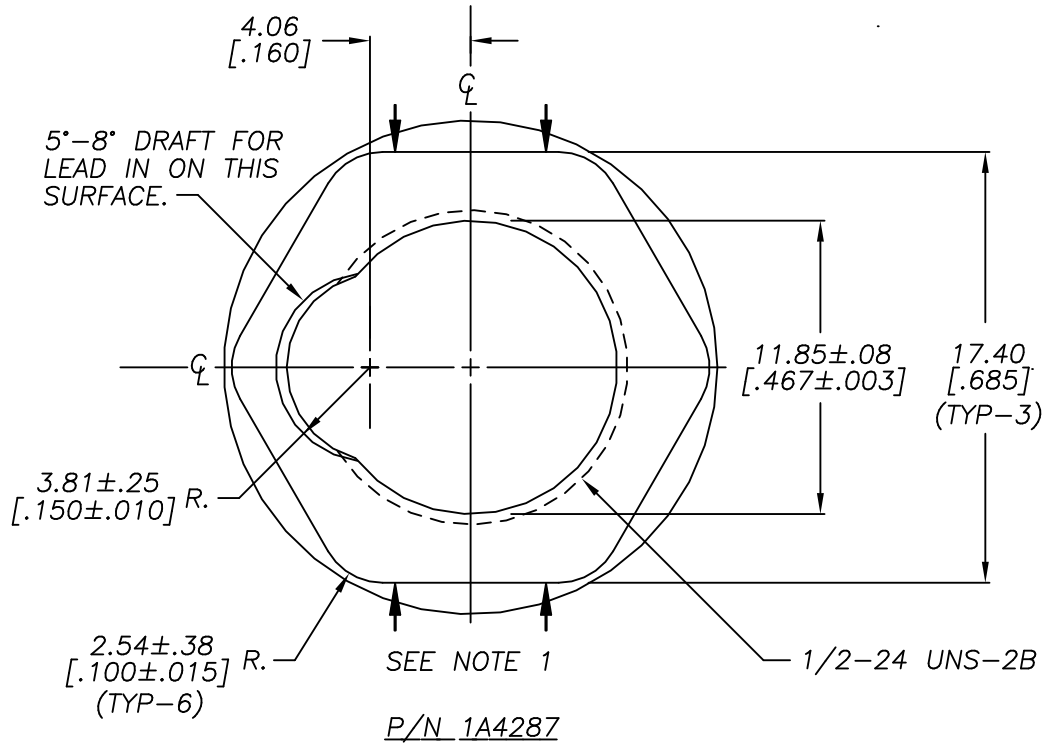



TITLE		PLASTIC NUT		DATE	10-28-09	NO.	1A4287	REV.	T
DWG.	CK.	 St. Louis, MO 63178		SUPERSEDES					
JG				SUP. NO.	1A4287 S	DATED	6-26-07		

PAGE 1

BU-N09095

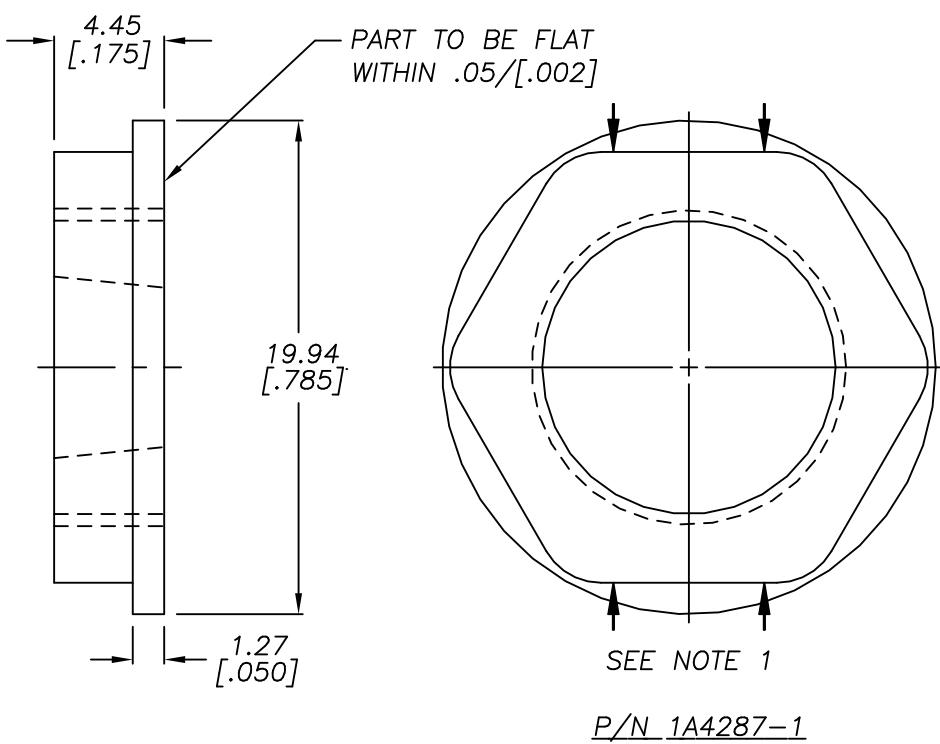
USED ON FUSEHOLDERS HJM, HKM, HKP & HTB



J N	CONFIDENTIAL THE INFORMATION CONTAINED IN THIS DOCUMENT IS THE PROPERTY OF COOPER INDUSTRIES, INC. IT IS NOT TO BE DISCLOSED, REPRODUCED, COPIED, OR TRANSMITTED IN ANY MANNER WITHOUT THE WRITTEN PERMISSION OF COOPER INDUSTRIES, INC. THIS DOCUMENT IS TO BE RETURNED TO COOPER INDUSTRIES, INC. UPON REQUEST.	SCALE 3x	UNLESS OTHERWISE SPECIFIED TOLERANCES TO BE: METRIC ±.13mm INCHES ±.005" ANGULAR ±2°	C/F NO. 79642
	COPYRIGHT Cooper Industries, Inc. This is an unpublished work. The disclosure of this work is limited to select personnel. Further dissemination or disclosure to the public is prohibited. This unpublished work is protected by Federal Copyright law and all rights thereunder are reserved by Cooper Industries, Inc.	INDICATES CRITICAL DIMENSION OR FEATURE	THIRD ANGLE PROJECTION	

INCHES (OR U.S. UNITS) IS THE PRIMARY UNIT OF MEASURE
 METRIC(mm)
 [INCHES]

PART FEATURES TO BE SYMMETRICAL ABOUT INDICATED CENTER LINE WITHIN .25 TYP RFS.
 WITHIN [.010]



SAME AS PART NUMBER 1A4287 EXCEPT IT DOES NOT CONTAIN 3.81/[.150] CUTOUT.

NOTES:

- 1) STRENGTH TEST - NUT MUST WITHSTAND A MINIMUM OF 30 LBS. OF FORCE APPLIED TO THE SURFACES INDICATED.

Looking for pricing, stock, or lifecycle information?

Click below to explore more details on WIN SOURCE:

 [View BK/1A4287-1 on WIN SOURCE](#)

 [Eaton Bussmann Information](#)

Optimize Your Supply Chain with WIN SOURCE Solutions

-  Global Sourcing Solution
-  Obsolete Management
-  Cost Control Management
-  Shortage Management
-  Alternative Solution
-  Excess Inventory Management