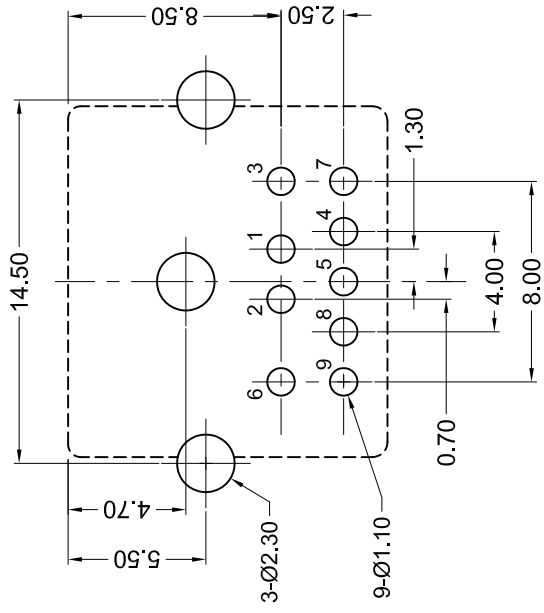
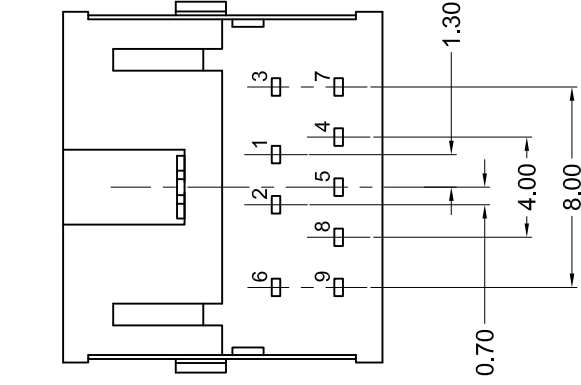
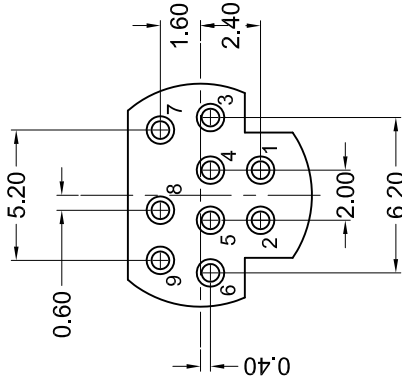
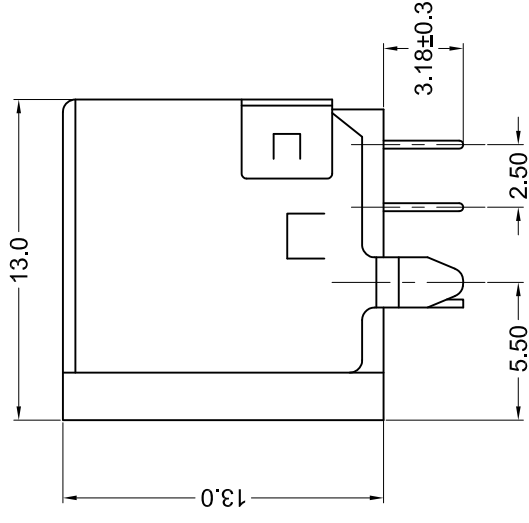
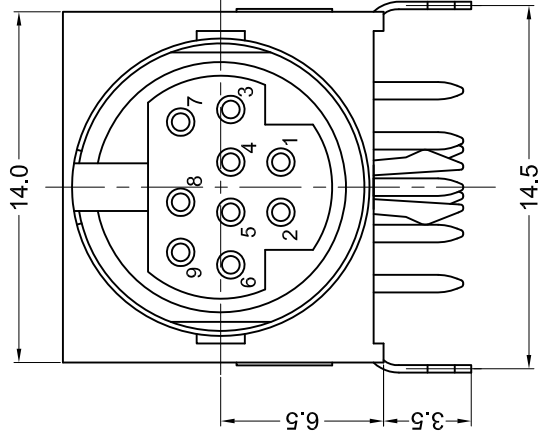




THE DATASHEET OF KMDGX-9S-AS





Recommended PCB Layout
(Bottom View)

RoHS COMPLIANT

REV.	DATE	DESCRIPTION	REV. BY	CHK. BY	DRAWN BY	DATE
A1	06/13/06	New Drawing	R. Aguirre	H. MA	R. Aguirre	08/02/05
A2	10/16/08	ECO # 08-085	S. Vien	H. MA		UNITS mm
B1	05/19/09	ECO #09-032	S. Vien	H. MA		
B2	09/23/10	ECO #10-064	S. Vien	H. MA		
B3	06/16/14	ECO #14-021	D. Gh	H. MA		
B4	03/05/18	ECO #18-013	J. Elbanna	H. MA		

KMDGX-9S-AS

9 pos. Mini-DIN, 4-Side Shielded, RoHS
Center Board Lock, Gold Flat

Looking for pricing, stock, or lifecycle information?

Click below to explore more details on WIN SOURCE:

 [View KMDGX-9S-AS on WIN SOURCE](#)

 [Kycon, Inc. Information](#)

Optimize Your Supply Chain with WIN SOURCE Solutions

-  Global Sourcing Solution
-  Obsolete Management
-  Cost Control Management
-  Shortage Management
-  Alternative Solution
-  Excess Inventory Management