



THE DATASHEET OF KPJX-4S





DC POWER CONNECTORS: KPJX Series

Snap and Lock PCB Mount Receptacle

Product Features

Laptop Computers, Power Supplies and Other Portable Digital Equipment Applications

Snap & Lock Feature Helps to Prevent Accidental Disconnects

3 or 4 Pins Transmit Power, or One Pin Can Be Used For Signal Transmission

For Signal and DC Power Applications

UL File No. E140125

Performance Specifications

Materials and Finish

Shield: Copper Alloy, Tin Plated

Body: PBT, UL 94V-0 Rated

HT Body: High Temperature Thermoplastic, UL 94V-0 Rated

Electrical Characteristics

Contact Rating

3 Position: Pin 1 and 2, 48V DC at 7.5A Max.,
Pin 3, 48V DC 1.0A Max.

4 Position: 48V DC 7.5A Max. For All Pins.

Insulation Resistance: 50 Megohms Min. at 250V DC

Dielectric Withstanding Voltage: 500V AC for 1 Minute

Contact Resistance: 30 milliohms Max.

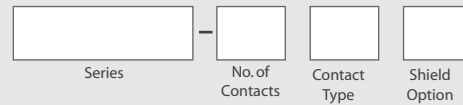
Mechanical Characteristics

Durability: 1000 Cycles

2D Drawing	IGES	STEP	3D PDF
Check Stock	Solder Profile	Request a Sample	Send Us An Email
RoHS Compliant	REACH Compliant	UL Plastic	Certificate of Compliance

Generated Part Number

Part Number Builder



Series

KPJX - Right Angle Receptacle

KPJXHT - High Temperature, Right Angle Receptacle

Number of Contacts

3 Pin

4 Pin

Contact Type

S - Socket

Shield Option

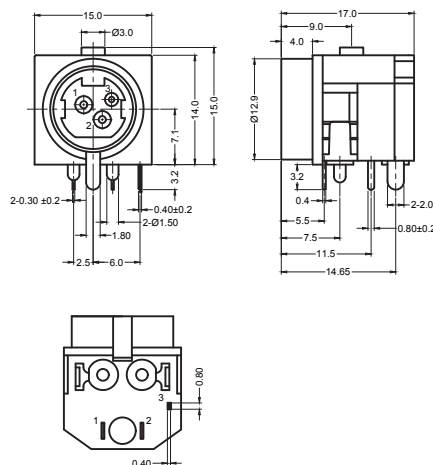
Blank - Non-Shielded

S - Shielded

Recommended to be used with Kycon KPPX Series Plugs

Contact Kycon for Other Options

KPJX-3S Series Dimensions in mm



Looking for pricing, stock, or lifecycle information?

Click below to explore more details on WIN SOURCE:

 [View KPJX-4S on WIN SOURCE](#)

 [Kycon, Inc. Information](#)

Optimize Your Supply Chain with WIN SOURCE Solutions

-  Global Sourcing Solution
-  Obsolete Management
-  Cost Control Management
-  Shortage Management
-  Alternative Solution
-  Excess Inventory Management