



THE DATASHEET OF NLSV2T240MUTAG



NLSV2T240

2-Bit Dual-Supply Inverting Level Translator

The NLSV2T240 is a 2-bit configurable dual-supply voltage level translator. The input A_n and output B_n ports are designed to track two different power supply rails, V_{CCA} and V_{CCB} respectively. Both supply rails are configurable from 0.9 V to 4.5 V allowing universal low-voltage translation from the input A_n to the output B_n port.

Features

- Wide V_{CCA} and V_{CCB} Operating Range: 0.9 V to 4.5 V
- High-Speed w/ Balanced Propagation Delay
- Inputs and Outputs have OVT Protection to 4.5 V
- Non-preferential V_{CCA} and V_{CCB} Sequencing
- Outputs at 3-State until Active V_{CC} is Reached
- Power-Off Protection
- Outputs Switch to 3-State with V_{CCB} at GND
- Ultra-Small Packaging: 1.8 mm x 1.2 mm UDFN8
- This is a Pb-Free Device

Typical Applications

- Mobile Phones, PDAs, Other Portable Devices

Important Information

- ESD Protection for All Pins:
HBM (Human Body Model) > 5000 V

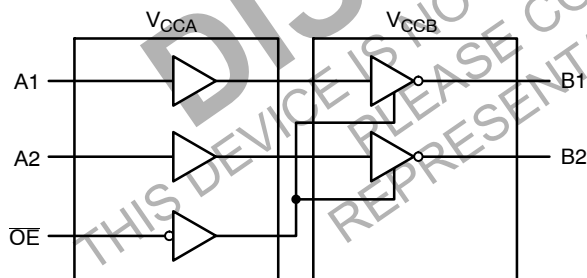


Figure 1. Logic Diagram



ON Semiconductor®

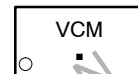
<http://onsemi.com>



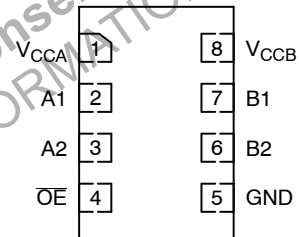
UDFN8
MU SUFFIX
CASE 517AJ

VC = Specific Device Code
M = Date Code
▪ = Pb-Free Package

MARKING DIAGRAM



PIN ASSIGNMENT



(Top View)

ORDERING INFORMATION

| Device | Package | Shipping† |
|----------------|-----------------|------------------|
| NLSV2T240MUTAG | UDFN8 (Pb-Free) | 3000/Tape & Reel |

†For information on tape and reel specifications, including part orientation and tape sizes, please refer to our Tape and Reel Packaging Specification Brochure, BRD8011/D.

NLSV2T240

PIN ASSIGNMENT

| PIN | FUNCTION |
|------------------|-----------------------------|
| V _{CCA} | Input Port DC Power Supply |
| V _{CCB} | Output Port DC Power Supply |
| GND | Ground |
| A _n | Input Port |
| B _n | Output Port |
| \overline{OE} | Output Enable |

TRUTH TABLE

| Inputs | | Outputs |
|-----------------|----------------|----------------|
| \overline{OE} | A _n | B _n |
| L | L | H |
| L | H | L |
| H | X | 3-State |

MAXIMUM RATINGS

| Symbol | Rating | Value | Condition | Unit |
|-------------------------------------|----------------------------------|------------------------------|---|------|
| V _{CCA} , V _{CCB} | DC Supply Voltage | -0.5 to +5.5 | | V |
| V _I | DC Input Voltage | A _n -0.5 to +5.5 | | V |
| V _C | Control Input | \overline{OE} -0.5 to +5.5 | | V |
| V _O | DC Output Voltage (Power Down) | B _n -0.5 to +5.5 | V _{CCA} = V _{CCB} = 0 | V |
| | (Active Mode) | B _n -0.5 to +5.5 | | V |
| | (Tri-State Mode) | B _n -0.5 to +5.5 | | V |
| I _{IK} | DC Input Diode Current | -20 | V _I < GND | mA |
| I _{OK} | DC Output Diode Current | -50 | V _O < GND | mA |
| I _O | DC Output Source/Sink Current | ±50 | | mA |
| I _{CCA} , I _{CCB} | DC Supply Current Per Supply Pin | ±100 | | mA |
| I _{GND} | DC Ground Current per Ground Pin | ±100 | | mA |
| T _{STG} | Storage Temperature | -65 to +150 | | °C |

Stresses exceeding Maximum Ratings may damage the device. Maximum Ratings are stress ratings only. Functional operation above the Recommended Operating Conditions is not implied. Extended exposure to stresses above the Recommended Operating Conditions may affect device reliability.

RECOMMENDED OPERATING CONDITIONS

| Symbol | Parameter | Min | Max | Unit |
|-------------------------------------|---|---------------------|------------------|------|
| V _{CCA} , V _{CCB} | Positive DC Supply Voltage | 0.9 | 4.5 | V |
| V _I | Bus Input Voltage | GND | 4.5 | V |
| V _C | Control Input | \overline{OE} GND | 4.5 | V |
| V _{JO} | Bus Output Voltage (Power Down Mode) | B _n GND | 4.5 | V |
| | (Active Mode) | B _n GND | V _{CCB} | V |
| | (Tri-State Mode) | B _n GND | 4.5 | V |
| T _A | Operating Temperature Range | -40 | +85 | °C |
| Δt / ΔV | Input Transition Rise or Rate V _I , from 30% to 70% of V _{CC} ; V _{CC} = 3.3 V ±0.3 V | 0 | 10 | nS |

NLSV2T240

DC ELECTRICAL CHARACTERISTICS

| Symbol | Parameter | Test Conditions | V _{CCA} (V) | V _{CCB} (V) | -40°C to +85°C | | Unit |
|---|---|--|----------------------|----------------------|-------------------------|-------------------------|------|
| | | | | | Min | Max | |
| V _{IH} | Input HIGH Voltage (An, OE) | | 3.6 – 4.5 | 0.9 – 4.5 | 2.2 | – | V |
| | | | 2.7 – 3.6 | | 2.0 | – | |
| | | | 2.3 – 2.7 | | 1.6 | – | |
| | | | 1.4 – 2.3 | | 0.65 * V _{CCA} | – | |
| | | | 0.9 – 1.4 | | 0.9 * V _{CCA} | – | |
| V _{IL} | Input LOW Voltage (An, OE) | | 3.6 – 4.5 | 0.9 – 4.5 | – | 0.8 | V |
| | | | 2.7 – 3.6 | | – | 0.8 | |
| | | | 2.3 – 2.7 | | – | 0.7 | |
| | | | 1.4 – 2.3 | | – | 0.35 * V _{CCA} | |
| | | | 0.9 – 1.4 | | – | 0.1 * V _{CCA} | |
| V _{OH} | Output HIGH Voltage | I _{OH} = -100 μA; V _I = V _{IL} | 0.9 – 4.5 | 0.9 – 4.5 | V _{CCB} - 0.2 | – | V |
| | | I _{OH} = -0.5 mA; V _I = V _{IL} | 0.9 | 0.9 | 0.75 * V _{CCB} | – | |
| | | I _{OH} = -2 mA; V _I = V _{IL} | 1.4 | 1.4 | 1.05 | – | |
| | | I _{OH} = -6 mA; V _I = V _{IL} | 1.65 | 1.65 | 1.25 | – | |
| | | | 2.3 | 2.3 | 2.0 | – | |
| | | I _{OH} = -12 mA; V _I = V _{IL} | 2.3 | 2.3 | 1.8 | – | |
| | | | 2.7 | 2.7 | 2.2 | – | |
| | | I _{OH} = -18 mA; V _I = V _{IL} | 2.3 | 2.3 | 1.7 | – | |
| 3.0 | 3.0 | | 2.4 | – | | | |
| V _{OL} | Output LOW Voltage | I _{OL} = 100 μA; V _I = V _{IH} | 0.9 – 4.5 | 0.9 – 4.5 | – | 0.2 | V |
| | | I _{OL} = 0.5 mA; V _I = V _{IH} | 1.1 | 1.1 | – | 0.3 | |
| | | I _{OL} = 2 mA; V _I = V _{IH} | 1.4 | 1.4 | – | 0.35 | |
| | | I _{OL} = 6 mA; V _I = V _{IH} | 1.65 | 1.65 | – | 0.3 | |
| | | | 2.3 | 2.3 | – | 0.4 | |
| | | I _{OL} = 12 mA; V _I = V _{IH} | 2.3 | 2.3 | – | 0.4 | |
| | | | 2.7 | 2.7 | – | 0.4 | |
| | | I _{OL} = 18 mA; V _I = V _{IH} | 2.3 | 2.3 | – | 0.6 | |
| 3.0 | 3.0 | | – | 0.4 | | | |
| I _{OL} = 24 mA; V _I = V _{IH} | 3.0 | 3.0 | – | 0.55 | | | |
| | 3.0 | 3.0 | – | 0.55 | | | |
| I _I | Input Leakage Current | V _I = V _{CCA} or GND | 0.9 – 4.5 | 0.9 – 4.5 | -1.0 | 1.0 | μA |
| I _{OFF} | Power-Off Leakage Current | OE = 0 V | 0 0.9 – 4.5 | 0.9 – 4.5 0 | -1.0 -1.0 | 1.0 1.0 | μA |
| I _{CCA} | Quiescent Supply Current | V _I = V _{CCA} or GND; I _O = 0, V _{CCA} = V _{CCB} | 0.9 – 4.5 | 0.9 – 4.5 | – | 1.0 | μA |
| I _{CCB} | Quiescent Supply Current | V _I = V _{CCA} or GND; I _O = 0, V _{CCA} = V _{CCB} | 0.9 – 4.5 | 0.9 – 4.5 | – | 1.0 | μA |
| I _{CCA} + I _{CCB} | Quiescent Supply Current | V _I = V _{CCA} or GND; I _O = 0, V _{CCA} = V _{CCB} | 0.9 – 4.5 | 0.9 – 4.5 | – | 2.0 | μA |
| ΔI _{CCA} | Increase in I _{CC} per Input Voltage, Other Inputs at V _{CCA} or GND | V _I = V _{CCA} - 0.6 V; V _I = V _{CCA} or GND | 4.5 | 4.5 | – | 10 | μA |
| | | | 3.6 | 3.6 | – | 5.0 | |
| ΔI _{CCB} | Increase in I _{CC} per Input Voltage, Other Inputs at V _{CCA} or GND | V _I = V _{CCA} - 0.6 V; V _I = V _{CCA} or GND | 4.5 | 4.5 | – | 10 | μA |
| | | | 3.6 | 3.6 | – | 5.0 | |
| I _{OZ} | I/O Tri-State Output Leakage Current | T _A = 25°C, OE = 0 V | 0.9 – 4.5 | 0.9 – 4.5 | -1.0 | 1.0 | μA |

NLSV2T240

TOTAL STATIC POWER CONSUMPTION ($I_{CCA} + I_{CCB}$)

| V_{CCA} (V) | -40°C to +85°C | | | | | | | | | | Unit |
|---------------|----------------|-------|-----|-------|-----|-------|-----|-------|-----|-------|---------|
| | V_{CCB} (V) | | | | | | | | | | |
| | 4.5 | | 3.3 | | 2.8 | | 1.8 | | 0.9 | | |
| | Min | Max | Min | Max | Min | Max | Min | Max | Min | Max | |
| 4.5 | | 2 | | 2 | | 2 | | 2 | | < 1.5 | μ A |
| 3.3 | | 2 | | 2 | | 2 | | 2 | | < 1.5 | μ A |
| 2.8 | | < 2 | | < 1 | | < 1 | | < 0.5 | | < 0.5 | μ A |
| 1.8 | | < 1 | | < 1 | | < 0.5 | | < 0.5 | | < 0.5 | μ A |
| 0.9 | | < 0.5 | | < 0.5 | | < 0.5 | | < 0.5 | | < 0.5 | μ A |

NOTE: Connect ground before applying supply voltage V_{CCA} or V_{CCB} . This device is designed with the feature that the power-up sequence of V_{CCA} and V_{CCB} will not damage the IC.

AC ELECTRICAL CHARACTERISTICS

| Symbol | Parameter | V_{CCA} (V) | -40°C to +85°C | | | | | | | | | | Unit |
|--|---|---------------|----------------|------|-----|------|-----|------|-----|------|-----|------|------|
| | | | V_{CCB} (V) | | | | | | | | | | |
| | | | 4.5 | | 3.3 | | 2.8 | | 1.8 | | 1.2 | | |
| | | | Min | Max | Min | Max | Min | Max | Min | Max | Min | Max | |
| t_{PLH} , t_{PHL} (Note 1) | Propagation Delay, A_n to B_n | 4.5 | | 1.6 | | 1.8 | | 2.0 | | 2.1 | | 2.3 | nS |
| | | 3.3 | | 1.7 | | 1.9 | | 2.1 | | 2.3 | | 2.6 | |
| | | 2.8 | | 1.9 | | 2.1 | | 2.3 | | 2.5 | | 2.8 | |
| | | 1.8 | | 2.1 | | 2.4 | | 2.5 | | 2.7 | | 3.0 | |
| | | 1.2 | | 2.4 | | 2.7 | | 2.8 | | 3.0 | | 3.3 | |
| t_{PZH} , t_{PZL} (Note 1) | Output Enable, \overline{OE} to B_n | 4.5 | | 2.6 | | 3.8 | | 4.0 | | 4.1 | | 4.3 | nS |
| | | 3.3 | | 3.7 | | 3.9 | | 4.1 | | 4.3 | | 4.6 | |
| | | 2.5 | | 3.9 | | 4.1 | | 4.3 | | 4.5 | | 4.8 | |
| | | 1.8 | | 4.1 | | 4.4 | | 4.5 | | 4.7 | | 5.0 | |
| | | 1.2 | | 4.4 | | 4.7 | | 4.8 | | 5.0 | | 5.3 | |
| t_{PHZ} , t_{PLZ} (Note 1) | Output Disable, \overline{OE} to B_n | 4.5 | | 2.6 | | 3.8 | | 4.0 | | 4.1 | | 4.3 | nS |
| | | 3.3 | | 3.7 | | 3.9 | | 4.1 | | 4.3 | | 4.6 | |
| | | 2.5 | | 3.9 | | 4.1 | | 4.3 | | 4.5 | | 4.8 | |
| | | 1.8 | | 4.1 | | 4.4 | | 4.5 | | 4.7 | | 5.0 | |
| | | 1.2 | | 4.4 | | 4.7 | | 4.8 | | 5.0 | | 5.3 | |
| t_{OSHL} , t_{OSLH} (Note 1) | Output to Output Skew, Time | 4.5 | | 0.15 | | 0.15 | | 0.15 | | 0.15 | | 0.15 | nS |
| | | 3.3 | | 0.15 | | 0.15 | | 0.15 | | 0.15 | | 0.15 | |
| | | 2.5 | | 0.15 | | 0.15 | | 0.15 | | 0.15 | | 0.15 | |
| | | 1.8 | | 0.15 | | 0.15 | | 0.15 | | 0.15 | | 0.15 | |
| | | 1.2 | | 0.15 | | 0.15 | | 0.15 | | 0.15 | | 0.15 | |

1. Propagation delays defined per Figure 2.

CAPACITANCE

| Symbol | Parameter | Test Conditions | Typ (Note 2) | Unit |
|-----------|-------------------------------|--|--------------|------|
| C_{IN} | Control Pin Input Capacitance | $V_{CCA} = V_{CCB} = 3.3$ V, $V_I = 0$ V or $V_{CCA/B}$ | 3.5 | pF |
| $C_{I/O}$ | I/O Pin Input Capacitance | $V_{CCA} = V_{CCB} = 3.3$ V, $V_I = 0$ V or $V_{CCA/B}$ | 5.0 | pF |
| C_{PD} | Power Dissipation Capacitance | $V_{CCA} = V_{CCB} = 3.3$ V, $V_I = 0$ V or V_{CCA} , $f = 10$ MHz | 20 | pF |

2. Typical values are at $T_A = +25^\circ\text{C}$.

3. C_{PD} is defined as the value of the IC's equivalent capacitance from which the operating current can be calculated from:
 $I_{CC(\text{operating})} \cong C_{PD} \times V_{CC} \times f_{IN} \times N_{SW}$ where $I_{CC} = I_{CCA} + I_{CCB}$ and N_{SW} = total number of outputs switching.

NLSV2T240

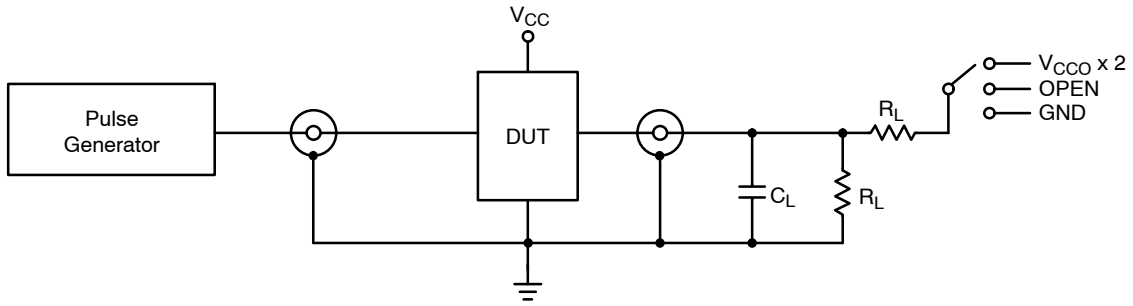
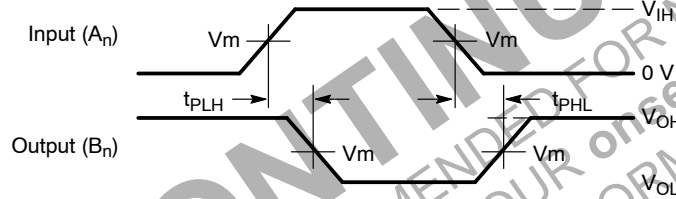


Figure 2. AC (Propagation Delay) Test Circuit

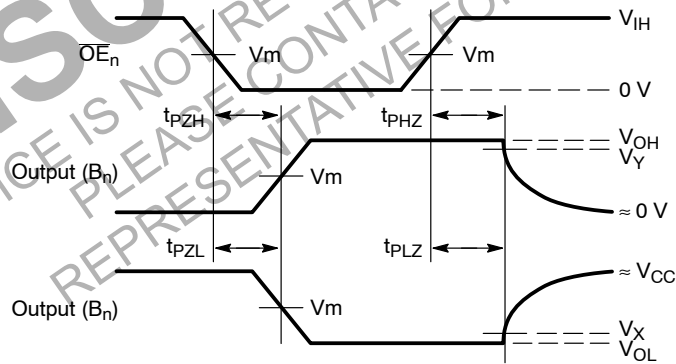
| Test | Switch |
|-----------------------|--------------------|
| t_{PLH} , t_{PHL} | OPEN |
| t_{PLZ} , t_{PZL} | $V_{CCO} \times 2$ |
| t_{PHZ} , t_{PZH} | GND |

$C_L = 15 \text{ pF}$ or equivalent (includes probe and jig capacitance)
 $R_L = 2 \text{ k}\Omega$ or equivalent
 Z_{OUT} of pulse generator = 50Ω



Waveform 1 - Propagation Delays

$t_R = t_F = 2.0 \text{ ns}$, 10% to 90%; $f = 1 \text{ MHz}$; $t_W = 500 \text{ ns}$

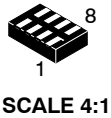


Waveform 2 - Output Enable and Disable Times

$t_R = t_F = 2.0 \text{ ns}$, 10% to 90%; $f = 1 \text{ MHz}$; $t_W = 500 \text{ ns}$

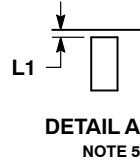
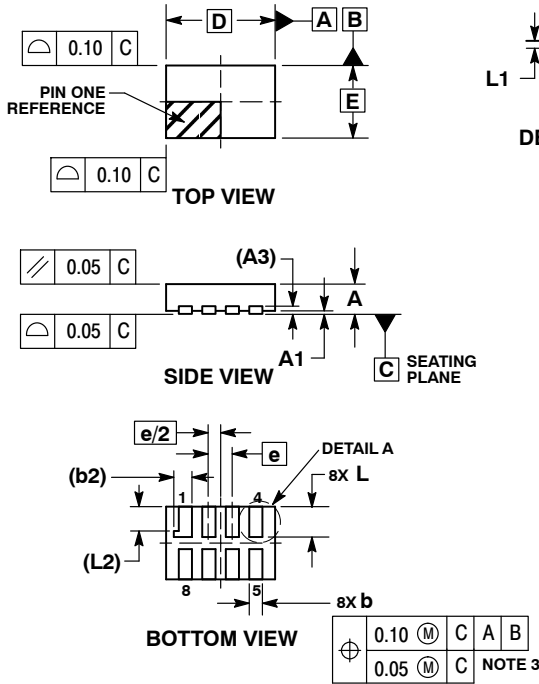
Figure 3. AC (Propagation Delay) Test Circuit Waveforms

| Symbol | V_{CC} | | | | |
|----------|---------------------|---------------------|---------------------|---------------------|---------------------|
| | 3.0 V - 4.5 V | 2.3 V - 2.7 V | 1.65 V - 1.95 V | 1.4 V - 1.6 V | 0.9 V - 1.3 V |
| V_{mA} | $V_{CCA}/2$ | $V_{CCA}/2$ | $V_{CCA}/2$ | $V_{CCA}/2$ | $V_{CCA}/2$ |
| V_{mB} | $V_{CCB}/2$ | $V_{CCB}/2$ | $V_{CCB}/2$ | $V_{CCB}/2$ | $V_{CCB}/2$ |
| V_X | $V_{OL} \times 0.1$ | $V_{OL} \times 0.1$ | $V_{OL} \times 0.1$ | $V_{OL} \times 0.1$ | $V_{OL} \times 0.1$ |
| V_Y | $V_{OH} \times 0.9$ | $V_{OH} \times 0.9$ | $V_{OH} \times 0.9$ | $V_{OH} \times 0.9$ | $V_{OH} \times 0.9$ |



UDFN8 1.8x1.2, 0.4P
CASE 517AJ
ISSUE O

DATE 08 NOV 2006

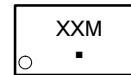


NOTES:

1. DIMENSIONING AND TOLERANCING PER ASME Y14.5M, 1994.
2. CONTROLLING DIMENSION: MILLIMETERS.
3. DIMENSION b APPLIES TO PLATED TERMINAL AND IS MEASURED BETWEEN 0.15 AND 0.30 mm FROM TERMINAL TIP.
4. MOLD FLASH ALLOWED ON TERMINALS ALONG EDGE OF PACKAGE. FLASH MAY NOT EXCEED 0.03 ONTO BOTTOM SURFACE OF TERMINALS.
5. DETAIL A SHOWS OPTIONAL CONSTRUCTION FOR TERMINALS.

| MILLIMETERS | | |
|-------------|-------|------|
| DIM | MIN | MAX |
| A | 0.45 | 0.55 |
| A1 | 0.00 | 0.05 |
| A3 | 0.127 | REF |
| b | 0.15 | 0.25 |
| b2 | 0.30 | REF |
| D | 1.80 | BSC |
| E | 1.20 | BSC |
| e | 0.40 | BSC |
| L | 0.45 | 0.55 |
| L1 | 0.00 | 0.03 |
| L2 | 0.40 | REF |

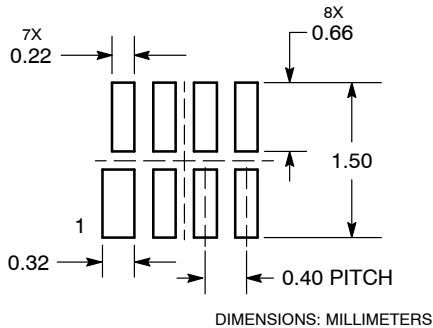
GENERIC MARKING DIAGRAM*



- XX = Specific Device Code
- M = Date Code
- = Pb-Free Package

*This information is generic. Please refer to device data sheet for actual part marking. Pb-Free indicator, "G" or microdot "■", may or may not be present.

MOUNTING FOOTPRINT SOLDERMASK DEFINED



| | | |
|-------------------------|----------------------------|--|
| DOCUMENT NUMBER: | 98AON23417D | Electronic versions are uncontrolled except when accessed directly from the Document Repository. Printed versions are uncontrolled except when stamped "CONTROLLED COPY" in red. |
| DESCRIPTION: | UDFN8 1.8X1.2, 0.4P | PAGE 1 OF 1 |

onsemi and ONSEMI are trademarks of Semiconductor Components Industries, LLC dba onsemi or its subsidiaries in the United States and/or other countries. onsemi reserves the right to make changes without further notice to any products herein. onsemi makes no warranty, representation or guarantee regarding the suitability of its products for any particular purpose, nor does onsemi assume any liability arising out of the application or use of any product or circuit, and specifically disclaims any and all liability, including without limitation special, consequential or incidental damages. onsemi does not convey any license under its patent rights nor the rights of others.

onsemi, **Onsemi**, and other names, marks, and brands are registered and/or common law trademarks of Semiconductor Components Industries, LLC dba "**onsemi**" or its affiliates and/or subsidiaries in the United States and/or other countries. **onsemi** owns the rights to a number of patents, trademarks, copyrights, trade secrets, and other intellectual property. A listing of **onsemi**'s product/patent coverage may be accessed at www.onsemi.com/site/pdf/Patent-Marking.pdf. **onsemi** reserves the right to make changes at any time to any products or information herein, without notice. The information herein is provided "as-is" and **onsemi** makes no warranty, representation or guarantee regarding the accuracy of the information, product features, availability, functionality, or suitability of its products for any particular purpose, nor does **onsemi** assume any liability arising out of the application or use of any product or circuit, and specifically disclaims any and all liability, including without limitation special, consequential or incidental damages. Buyer is responsible for its products and applications using **onsemi** products, including compliance with all laws, regulations and safety requirements or standards, regardless of any support or applications information provided by **onsemi**. "Typical" parameters which may be provided in **onsemi** data sheets and/or specifications can and do vary in different applications and actual performance may vary over time. All operating parameters, including "Typicals" must be validated for each customer application by customer's technical experts. **onsemi** does not convey any license under any of its intellectual property rights nor the rights of others. **onsemi** products are not designed, intended, or authorized for use as a critical component in life support systems or any FDA Class 3 medical devices or medical devices with a same or similar classification in a foreign jurisdiction or any devices intended for implantation in the human body. Should Buyer purchase or use **onsemi** products for any such unintended or unauthorized application, Buyer shall indemnify and hold **onsemi** and its officers, employees, subsidiaries, affiliates, and distributors harmless against all claims, costs, damages, and expenses, and reasonable attorney fees arising out of, directly or indirectly, any claim of personal injury or death associated with such unintended or unauthorized use, even if such claim alleges that **onsemi** was negligent regarding the design or manufacture of the part. **onsemi** is an Equal Opportunity/Affirmative Action Employer. This literature is subject to all applicable copyright laws and is not for resale in any manner.

ADDITIONAL INFORMATION

TECHNICAL PUBLICATIONS:

Technical Library: www.onsemi.com/design/resources/technical-documentation
onsemi Website: www.onsemi.com

ONLINE SUPPORT: www.onsemi.com/support

For additional information, please contact your local Sales Representative at www.onsemi.com/support/sales



Looking for pricing, stock, or lifecycle information?

Click below to explore more details on WIN SOURCE:

 [View NLSV2T240MUTAG on WIN SOURCE](#)

 [ON Semiconductor](#) Information

Optimize Your Supply Chain with WIN SOURCE Solutions

-  Global Sourcing Solution
-  Obsolete Management
-  Cost Control Management
-  Shortage Management
-  Alternative Solution
-  Excess Inventory Management