

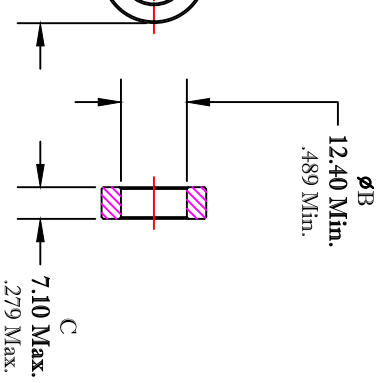


THE DATASHEET OF
5977000621



UNCONTROLLED ~CATALOG~ DRAWING

SIZE	PART NO.	REV.
B	5977000621	~



AFTER COATING

DIMENSIONS
 NUMBERS ARE IN MILLIMETERS
 NUMBERS ARE IN INCHES

ELECTRICAL SPECIFICATIONS

$\Sigma l / A(\text{mm}^{-1})$	l_e (mm)	A_e (mm ²)	V_e (mm ³)	L_o (nH)	A_l (nH) @10 KHz <10gauss	$\tan \delta / \mu'$ @100 KHz <1gauss
2.1310	51.8	24.3	1261	0.590	1270 +25% -50%	$\leq 20 \times 10E-6$

SEE SOP ELC-35

FAIR-RITE PRODUCTS CORP.

TITLE
 COATED TOROID

DRAWN BY JSERENCSICS	DATE 07-17-2018	SIZE B	PART NO. 5977000621	REV. ~
CHKD BY		SCALE NONE	SHEET 1	of 1

COATED, USE APPROVED FR# 5977000601.

0") Max.

MINIMUM BREAKDOWN VOLTAGE OF 1000 Vrms,
 THE "C" DIMENSION.

FR# 77

Looking for pricing, stock, or lifecycle information?

Click below to explore more details on WIN SOURCE:

 [View 5977000621 on WIN SOURCE](#)

 [FAIR-RITE PRODUCTS](#) Information

Optimize Your Supply Chain with WIN SOURCE Solutions

-  Global Sourcing Solution
-  Obsolete Management
-  Cost Control Management
-  Shortage Management
-  Alternative Solution
-  Excess Inventory Management