



## Specification

Part No. : **PCB.MMCXFSTJ.SMT.HT**

Product Name : MMCX(F) Surface Mount Jack

Feature : MMCX(F) Jack  
Surface Mount PCB Jack  
Frequency Range: DC up to 6GHz  
Finish: Gold  
Leg Length: 0.76mm  
Total Length: 5mm  
RoHS & REACH Compliant



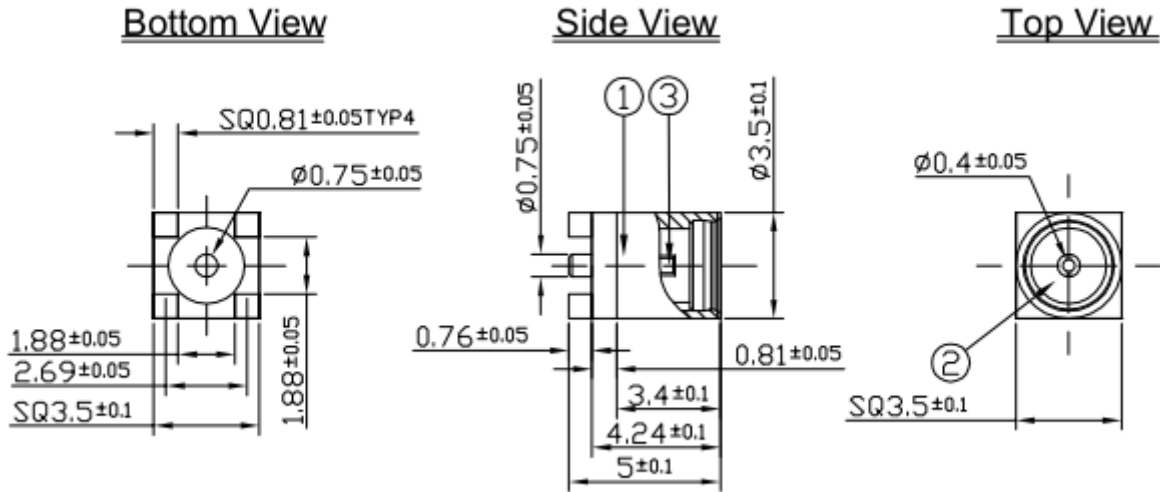
## 1. Introduction

The PCB.MMCXFSTJ.SMT.HT connector was designed to be surface mounted on a PCB. The connector pin is directly soldered onto pads on the PCB. The connector is a standard MMCX (F) Jack. Taoglas connectors are all RoHS compliant.

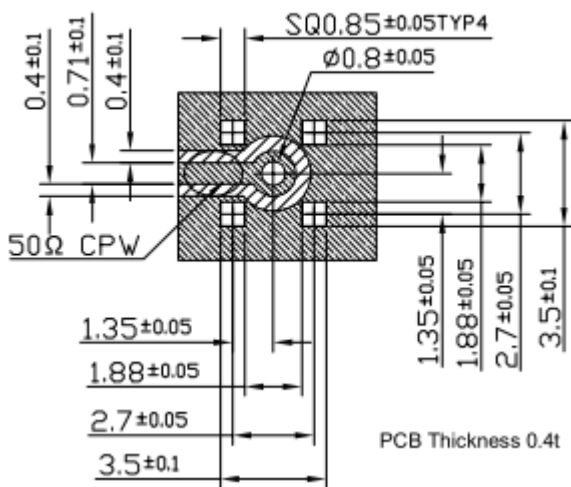
## 2. Specification

| ELECTRICAL                      |                                |
|---------------------------------|--------------------------------|
| Impedance                       | 50Ω                            |
| Frequency Range                 | DC~6 GHz                       |
| Working Voltage                 | Max. ≤170 Vrms                 |
| Dielectric withstanding Voltage | 500 Vrms                       |
| Insulation Resistance           | ≥1000M MΩ                      |
| MECHANICAL                      |                                |
| Connector Dimension             | 5mm*Ø3.5mm                     |
| Connector Pin Diameter          | 0.75 mm                        |
| Connector Type                  | MMCX(F) Jack for surface Mount |
| ENVIRONMENTAL                   |                                |
| Operating Temperature           | -40°C to +85°C                 |


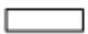

### 3. Connector Drawing



#### PCB Footprint



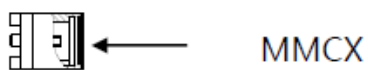
Note:

- 1. Copper with Solder Mask 
- 2. Solder Area 
- 3. Clearance Area 

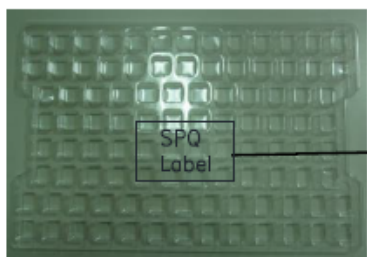
|   | Name           | Material        | Finish | QTY |
|---|----------------|-----------------|--------|-----|
| 1 | Body           | Brass           | Gold   | 1   |
| 2 | Insulator      | Teflon          | White  | 1   |
| 3 | Female Contact | Phosphor Bronze | Gold   | 1   |



## 4. Packaging (Unit: mm)

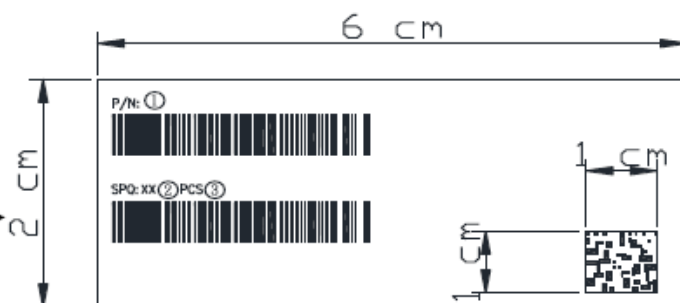


MMCX

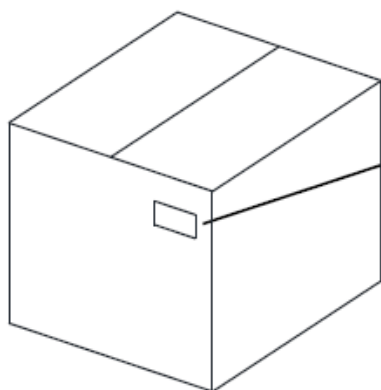


500pcs/Tray (Vacuum)

Tray dimension: 268\*180mm



- ①P/N: Taoglas
- ②SPQ QTY: SPQ
- ③Unit:



20000PCS / Carton  
(375\*285\*155mm)



- 1.P/N:
- 2.Description:
- 3.CTN QTY:
- 4.SPQ QTY:
- 5.Purchase No.:
- 6.V/N:
- 7.DATE:yyyy/mm/dd
- 8.Batch No.: Taoglas

I 03 001 0001  
 T:正品 03:年 001:廠商碼 0001:流水碼  
 P:備品



Taoglas makes no warranties based on the accuracy or completeness of the contents of this document and reserves the right to make changes to specifications and product descriptions at any time without notice.

Taoglas reserves all rights to this document and the information contained herein. Reproduction, use or disclosure to third parties without express permission is strictly prohibited.

© Taoglas

## Looking for pricing, stock, or lifecycle information?

Click below to explore more details on WIN SOURCE:

 [View PCB.MMCXFSTJ.SMT.HT on WIN SOURCE](#)

 [Taoglas Limited](#) Information

## Optimize Your Supply Chain with WIN SOURCE Solutions

-  Global Sourcing Solution
-  Obsolete Management
-  Cost Control Management
-  Shortage Management
-  Alternative Solution
-  Excess Inventory Management