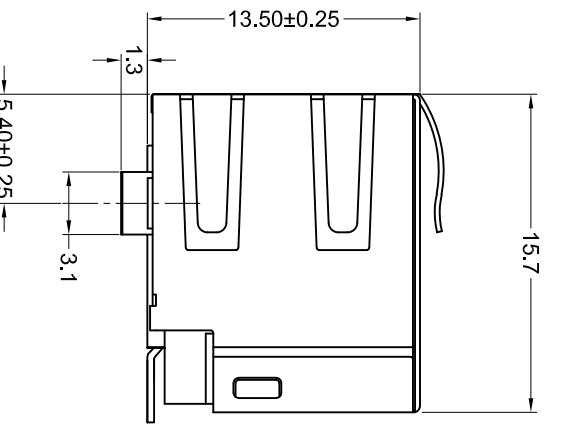
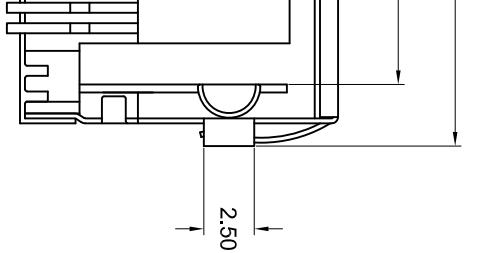
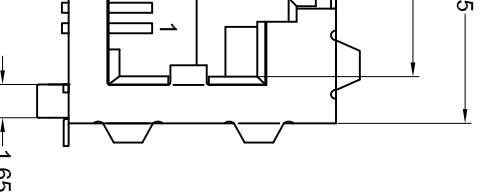


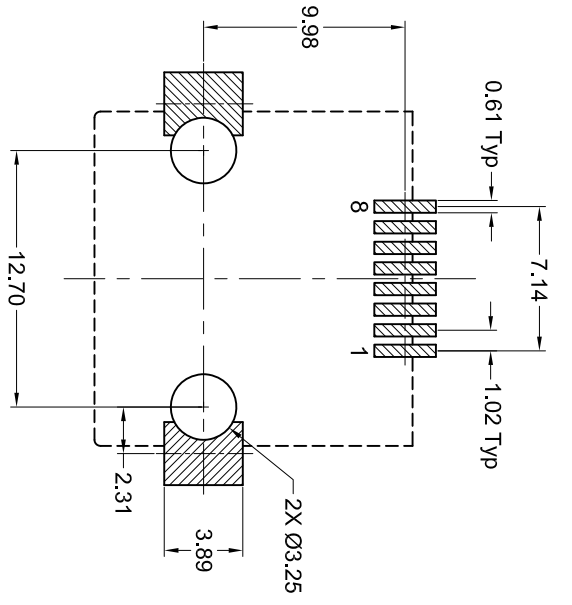


**THE DATASHEET OF
GWX-SMT-S9-88-TR**





Contact Area Plating Finish	Packaging
d Flash (standard)	Tray
" Gold (50 option)	Tape & Reel
d Flash (standard)	Tape & Reel
" Gold (50 option)	Tape & Reel



ROHS COMPLIANT
EU Directive 2002/95/EC



Tolerances	X.X ± 0.35
	X.XX ± 0.25
	Unless Stated
	Otherwise

Materials and Finish

Housing Material: High Temperature Thermoplastic, UL 94V-0 Rated, Color: Black

Contact Material: Phosphor Bronze

Plating Options:

Standard: Nickel Underplating, Gold Flash Plated on Contact Area, Gold Flash Plated on Solder Area

50 Option: Nickel Underplating, Contact Area Plated with 50u" Gold to Comply with ANSI/ITIA-1096-A, Gold Flash Plated on Solder Area

Shield: Copper Alloy, Nickel Plated

Electrical Characteristics

Rated Current: 1.5A
 Rated Voltage: 125V DC
 Insulation Resistance: 500 Megohms Min.
 Contact Resistance: 20 milliohms Max.
 Dielectric Withstanding Voltage: 1000V rms, 60Hz

V. BY	CHK. BY	DRAWN BY	DATE
Vien	H. MA	H. MA	9/30/05
Vien	H. MA		UNITS
Vien	P. DalCanto		mm
Ibanna	H. MA		
Serratio	D. Sheehan		

GWX-SMT-S9-88

Modular Jack, SMT, RoHS Compliant
Fully Shielded, With Grounding Tabs



Looking for pricing, stock, or lifecycle information?

Click below to explore more details on WIN SOURCE:

 [View GWX-SMT-S9-88-TR on WIN SOURCE](#)

 [Kycon, Inc. Information](#)

Optimize Your Supply Chain with WIN SOURCE Solutions

-  Global Sourcing Solution
-  Obsolete Management
-  Cost Control Management
-  Shortage Management
-  Alternative Solution
-  Excess Inventory Management