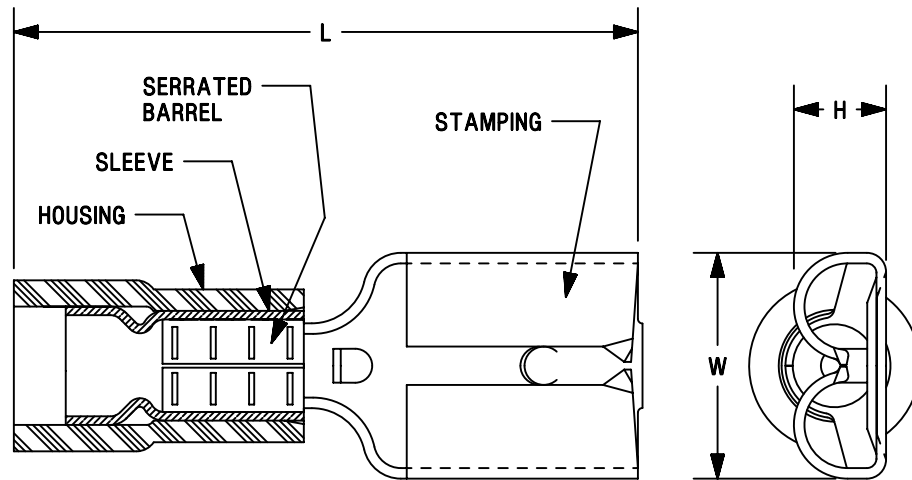


THIS COPY IS PROVIDED ON A RESTRICTED BASIS AND IS NOT TO BE USED IN ANY WAY DETRIMENTAL TO THE INTERESTS OF PANDUIT CORP.

PANDUIT PART #	TAB SIZE	WIRE RANGE		HOUSING COLOR	DIMENSIONS in. [mm]		
		ENGLISH	METRIC		L ± .03 [0,8]	W ± .01 [0,3]	H ± .01 [0,3]
DNF18-188	.187 X .020 [4,8 X 0,5]	22-18	0,5-1,0	RED	.76 [19,3]	.23 [5,8]	.10 [2,5]
DNF14-188	.187 X .020 [4,8 X 0,5]	16-14	1,5-2,5	BLUE	.76 [19,3]	.23 [5,8]	.10 [2,5]

NOTES:

- USED FOR:
 - A. STRANDED COPPER WIRE ONLY
 - B. 194°F [90°C] MAX. OPERATING TEMPERATURE
 - C. 300 V. MAX. VOLTAGE RATING
- MATERIAL:
 - A. STAMPING: .016 [0,4] THICK BRASS, TIN PLATED
 - B. HOUSING: NYLON
 - C. SLEEVE: TIN PLATED BRASS
- INSTALLATION TOOLS:
 - A. UL LISTED AND CSA CERTIFIED:
CT-600-A W/CT-500CH FOR DNF18
CT-600-A W/CT-500CH OR CT-550CH FOR DNF14
 - B. PANDUIT APPROVED:
CT-400, CT-460 (FOR DNF14-188 ONLY)
CT-1550, CT-1551, CT-2500
- WIRE STRIP LENGTH: 9/32 ^{+0,8}/₀ [7,1 ^{+0,8}/₀]
- SEE www.panduit.com FOR PACKAGE QUANTITIES INDICATED BY PART NUMBER SUFFIX
- DIMENSIONS IN BRACKETS ARE METRIC EQUIVALENT



LISTED
20H3
E78522



CERTIFIED
LR31212

TITLE NON-INSULATED FEMALE DISCONNECT, FUNNELED WIRE ENTRY (188 SERIES) CUSTOMER DRAWING				
ITEM REVISION NAME		N41313BA/12		
DATASET FILE NAME		N41313BA_DC_12A		
UNLESS OTHERWISE SPECIFIED, DIMENSIONAL TOLERANCES ARE: IN [mm]				PANDUIT TM MATERIAL: SEE NOTES
.x ± .1 [2.54]		.xxx ± .005 [.127]		
.xx ± .01 [.25]		ANGLES ± 5 °		DRAWING NUMBER: A41313
THIRD ANGLE PROJECTION		DRAWN BY DAW	DATE -	CHK -
SCALE N.T.S.		SHEET 1 OF 1		SIZE A

12	09.27.12	BDK	LCA	VMB	UL LISTED: REMOVED CT-500. ADDED DNF18/14 SPECIFIC NOTES PANDUIT APPROVED: REMOVED CT-100. ADDED CT-100A BROUGHT DRAWING TO CURRENT STANDARDS.	A41313
REV	DATE	BY	CHK	APR	DESCRIPTION	ECN

D10100DA/12

Looking for pricing, stock, or lifecycle information?

Click below to explore more details on WIN SOURCE:

 [View DNF14-188-M on WIN SOURCE](#)

 [Panduit Corp Information](#)

Optimize Your Supply Chain with WIN SOURCE Solutions

-  Global Sourcing Solution
-  Obsolete Management
-  Cost Control Management
-  Shortage Management
-  Alternative Solution
-  Excess Inventory Management