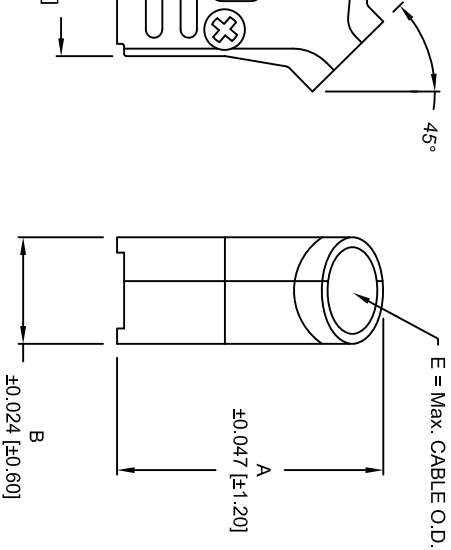




THE DATASHEET OF
954-009-030R121





#4-40 THREADS*

*NORCOMP RECOMMENDS PURCHASING OUR SLIDE LOCK HARDWARE. MUST BE PURCHASED SEPARATELY.

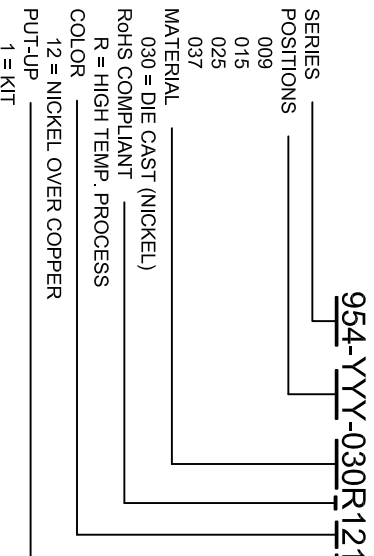
SPECIFICATION:

BACKSHELL: ZINC, NICKEL PLATED,
COPPER UNDER PLATE
HOUSING SCREW: STEEL, ZINC PLATED
COMPRESSION INSERT: ABS, UL94-HB
OPERATING TEMPERATURE: -40°C TO +120°C

BACKSHELL KIT INCLUDES:

- (2) BACKSHELL HALVES
- (2) MOUNTING SCREWS
- (1) PLASTIC INSERTS TREE (4-SETS)
- DIAMETERS: 0.157 [4.00], 0.167 [5.00], 0.276 [7.00], 0.354 [9.00]

UNITS (in/mm)			
C	D	E	
0.984	1.220	0.512	
24.99	31.00	13.00	
1.312	1.555	0.512	
33.32	39.50	13.00	
1.852	2.094	0.512	
47.04	53.20	13.00	
2.500	2.744	0.512	
63.50	69.70	13.00	



954-YYY-030R121

SERIES _____
POSITIONS _____
009 _____
015 _____
025 _____
037 _____
MATERIAL _____
030 = DIE CAST (NICKEL)
ROHS COMPLIANT _____
R = HIGH TEMP. PROCESS
COLOR _____
PUT-UP _____
12 = NICKEL OVER COPPER
1 = KIT

IFICATIONS ARE
AND SHALL NOT
R USED AS THE
RE OR SALE OF
EN PERMISSION.

DRAWN:
C. SMITH

DATE:
03/30/2007

UNITS = inch [mm]

DO NOT SCALE FROM DRAWING

NorComp

SCALE:
NTS

SHEET 1 OF 1

REV
3

DWG NO.

954-YYY-030R121

Looking for pricing, stock, or lifecycle information?

Click below to explore more details on WIN SOURCE:

 [View 954-009-030R121 on WIN SOURCE](#)

 [NorComp Inc. Information](#)

Optimize Your Supply Chain with WIN SOURCE Solutions

-  Global Sourcing Solution
-  Obsolete Management
-  Cost Control Management
-  Shortage Management
-  Alternative Solution
-  Excess Inventory Management